

PRODUCT INFORMATION PACKET



Model No: 734A

Catalog No: 734A

Unit Heater Motor, 1/4 HP, 1 Ph, 60 Hz, 115 V, 1135 RPM, 1 Speed, 48 Frame, TEAO



Regal and Century are trademarks of Regal Rexnord Corporation or one of its affiliated companies.
©2025 Regal Rexnord Corporation, All Rights Reserved. MC017097E





Nameplate Specifications

Phase	1	Output HP	1/4 Hp
Output KW	0.19 kW	Voltage	115 V
Speed	1135 rpm	Service Factor	1.0
Frame	F48Y	Enclosure	Totally Enclosed Air Over
Thermal Protection	Automatic	Ambient Temperature	60 °C
Frequency	60 Hz	Current	4.5 A
Duty	Air Over	Insulation Class	B
UL	Recognized	CSA	Y
CE	N	Number of Speeds	1

Technical Specifications

Electrical Type	Permanent Split Capacitor	Starting Method	Across The Line
Poles	6	Rotation	Counterclockwise Lead End
Mounting	Resilient Base	Motor Orientation	Horizontal
Drive End Bearing	Sleeve	Opp Drive End Bearing	Sleeve
Frame Material	Rolled Steel	Shaft Type	Flat
Overall Length	8.88 in	Frame Length	4.38 in
Shaft Diameter	0.500 in	Shaft Extension	3.39 in
Connection Drawing	614131-007	Outline Drawing	F48Z17A01-S01

This is an uncontrolled document once printed or downloaded and is subject to change without notice. Date Created:02/10/2025

4

3

2

1

GENERAL INFORMATION:

SHAFT RUNOUT: .001 [.03] T.I.R. PER INCH LENGTH OF EXTENSION

END PLAY: .010 TO .063 [.25 TO 1.60]

BEARINGS: SLEEVE

MOUNTING POSITION: HORIZONTAL

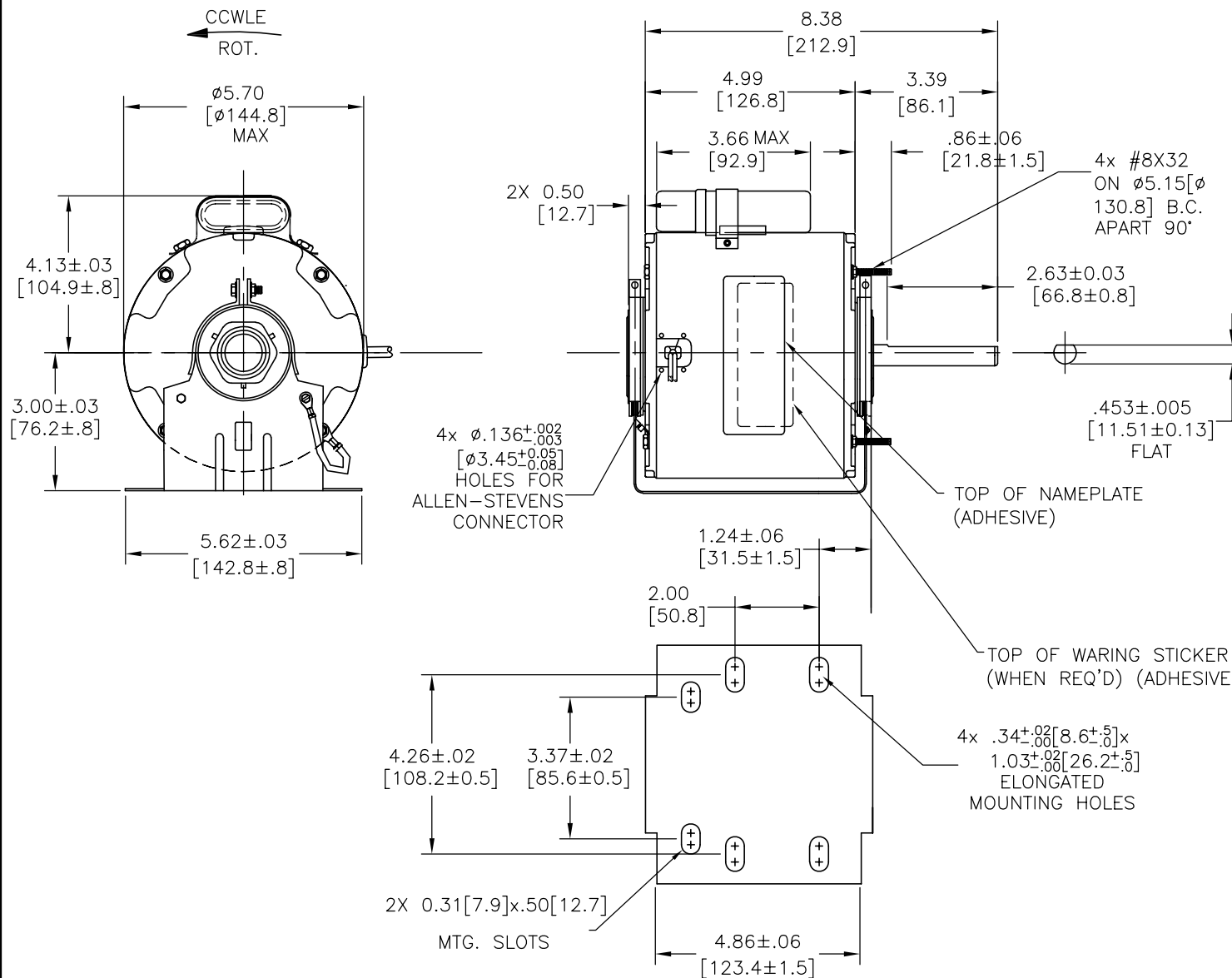
ELECTRICAL DATA:

OVERLOAD PROTECTOR: AUTOMATIC RESET (T.I. 7AM 036)

LEADS: NO. 18 GA., .06 [1.5] THK. PVC 105°C INSUL.

GROUND LEAD: NO. 16 GA., .03 [.8] THK. (GRN/YEL) INSUL.

REV	REFERENCE ECN	REFERENCE PROJECT	REV BY	DATE	APPD	DATE
A	00002404	0700137	AMY	04-20-07		



GN/YE(GRD)	3.0/5.0 [76/127]	#10 EYELET
BROWN	5.0/7.0 [127/178]	.25[6.4] FLAG
BROWN/WHT	5.0/7.0 [127/178]	.25[6.4] FLAG
BLACK	35.0/37.0 [889/940]	0.5[12.7] SKIN
WHITE	35.0/37.0 [889/940]	0.5[12.7] SKIN
COLOR	LENGTH	TERMINAL OR STRIP LENGTH

MAIN FRAME - OLE	ENCLOSED
END FRAME - OLE	ENCLOSED
MAIN FRAME - LE	ENCLOSED
END FRAME - LE	ENCLOSED

CUSTOMER	DISTRIBUTION SERVICES
----------	-----------------------

NAMEPLATE DATA:	EXTERNAL CONNECTION DIAGRAM
MODEL NO.: F48Z17A01 CUST. P/N: 734A HP: 1/4 ROT.: CCWLE RPM: 1135 TYPE: UF FRAME: 48Y VOLTS: 115 PH: 1 AMPS: 4.5 HZ: 60 INS.: B AMB.: 60°C DUTY: AIR OVER CAP.: 5 MFD/370V ENCL: ENCLOSED UL LOGO CSA LOGO THERMALLY PROTECTED	<p>BROWN SEP. CAP.</p> <p>BRN/WHT</p> <p>WHITE</p> <p>BLACK</p> <p>LINE</p> <p>614131-007</p>

PERFORMANCE CURVE NO.	TORQUE @ 1135 RPM (25°C)	APPROVED SAMPLE	UL COMPONENT		CSA	
C32682	24.5 OZ. FT.	0603174A	FILE #	CCN #	FILE #	CLASS #
			E46412	PRGY2	LR43341	4211-01

GEOMETRIC CHARACTERISTICS & SYMBOLS

- ▭ FLATNESS
- STRAIGHTNESS
- ∠ ANGULARITY
- ⊥ PERPENDICULARITY (SQUARENESS)
- ∥ PARALLELISM
- ROUNDNESS (CIRCULARITY)
- ⊘ CYLINDRICITY
- △ PROFILE OF ANY SURFACE
- ▽ PROFILE OF ANY LINE
- ↗ RUNOUT
- ⊕ TRUE POSITION
- ◎ CONCENTRICITY
- ≡ SYMMETRY

A.O. SMITH PROVIDES TECHNICAL ASSISTANCE TO OUR CUSTOMERS IN SEVERAL AREAS. SINCE A.O. SMITH DOES NOT RECEIVE ALL DATA CONCERNING THE USE AND APPLICATION OF THE MOTOR, THE SUITABILITY OF THE MOTOR FOR THE APPLICATION MUST BE DETERMINED BY THE CUSTOMER.

DIMENSIONS WITHOUT TOLERANCES ARE FOR REFERENCE ONLY.

DR BY: AMY 04-13-07

APPD:

THIRD ANGLE PROJECTION

EDS DATE EDS DATE
FORMAT REV E

CONFIDENTIAL: THIS DRAWING AND ITS INFORMATION ARE THE EXCLUSIVE AND CONFIDENTIAL PROPERTY OF A.O. SMITH CORP. AND ARE NOT TO BE DISCLOSED, DUPLICATED, DISTRIBUTED OR OTHERWISE USED WITHOUT THE WRITTEN CONSENT OF A.O. SMITH CORP.

ASME Y14.5M 1994

A.O. SMITH
ELECTRICAL PRODUCTS COMPANY
TIPP CITY, OHIO

A DIVISION OF A. O. SMITH CORPORATION
COPYRIGHT 1995

DESCRIPTION: **OUTLINE**

SIZE: C DWG NO: F48Z17A01

SCALE: NONE SHEET: 1

4

3

2

1

4

3

2

1

INFORMACION GENERAL:

OSCILACION DE FLECHA: .001 [.03] T.I.R. PER INCH LENGTH OF EXTENSION

JUEGO AXIAL: .010 A .063 [.25 A 1.60]

BALEROS: MANGA

POSICION DEL MONTAJE: HORIZONTAL

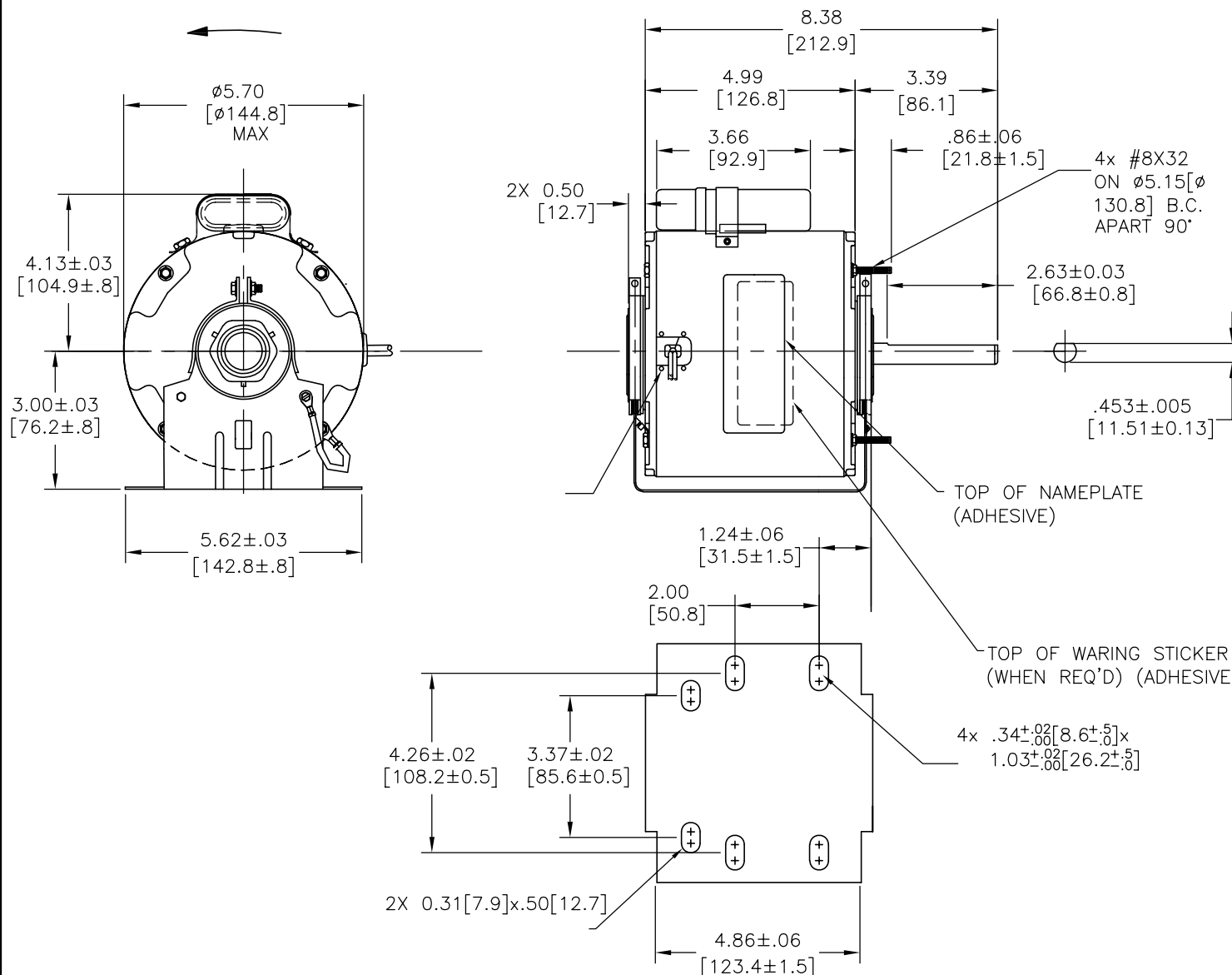
INFORMACION ELECTRICA:

SOBRECARGA DEL PROTECTOR: REINICIO AUTOMATIC (T.I. 7AM 036)

CABLES: NO. 18 GA., .06 [1.5] THK. PVC 105°C AISLAM.

CABLE DE TIERRA: NO. 18 GA., .03 [.8] THK. (VERDE) AISLAM.

REVISION:	ECN REFERENCIA:	PROYECTO REFERENCIA:	REVISADO POR:	FECHA:	APROBADO POR:	FECHA:
A	00002404	0700137	AMY	04-20-07		



INFORMACION DE ETIQUETA:	DIAGRAMA DE CONEXION EXTRNA
MODEL NO.: F48Z17A01 CUST. P/N: 734A HP: 1/4 ROT.: CCWLE RPM: 1135 TYPE: UF FRAME: 48Y VOLTS: 115 PH: 1 AMPS: 4.5 HZ: 60 INS.: B AMB.: 60°C DUTY: AIR OVER CAP.: 5 MFD/370V ENCL: ENCLOSED UL LOGO CSA LOGO THERMALLY PROTECTED	
614131-007	

CURVAS DE FUNCIONAMIENTO	TORSION @ RPM (25°C)	MUESTRA APROBADA	COMPONENTE UL		CSA	
			#ARCHIVO	CCN #	#ARCHIVO	CLASE #
C32682	24.5 OZ. FT.	0603174A	E46412	PRGY2	LR43341	4211-01

LONGITUD	TERMINAL O LONGITUD DE DESFORRE

TIPO DE MOTOR
DE CARCASA - OLE
DE TAPA - OLE
DE CARCASA - LE
DE TAPA - LE

CLIENTE

CARACTERISTICAS DE GEOMETRIA Y SIMBOLOS
 ✓ PLANICIDAD
 — RECTITUD
 ∠ ANGULARIDAD
 ⊥ PERPENDICULARIDAD (A ESCUADRA)
 // PARALELISMO
 ○ REDONDEZ (CIRCULARIDAD)
 ∅ CILINDRICIDAD
 △ PERFIL DE CUALQUIER SUPERFICIE
 ▲ PERFIL DE CUALQUIER LINEA
 ↗ VARIACION
 ⊕ POSICION REAL
 ⊙ CONCENTRICIDAD
 = SIMETRIA

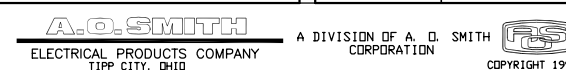
A.O. SMITH PROVEE ASISTENCIA TECNICA A NUESTROS CLIENTES EN VARIAS AREAS. DESDE QUE A.O. SMITH NO RECIBE TODOS LOS DATOS EN RELACION AL USO Y A LA APLICACION DEL MOTOR, LA APLICACION ADECUADA DEL MOTOR DEBE SER DETERMINADA POR EL CLIENTE.

DIMENSIONES SIN TOLERANCIA SON DE REFERENCIA SOLAMENTE

DIBUJADO POR: AMY
 APROBADO POR:
 TERCER ANGULO DE PROYECCION

04-13-07
 FECHA EDS: EDS DATE
 REV. FORMATO: E

CONFIDENCIAL: ESTE DIBUJO Y SU INFORMACION SON PROPIEDAD DE USO EXCLUSIVO Y CONFIDENCIAL DE A.O. SMITH CORP. Y NO DEBERAN SER REVELADOS, DUPLICADOS, DISTRIBUIDOS O USARSE DE OTRA MANERA SIN EL CONSENTIMIENTO ESCRITO DE A.O. SMITH CORP. -TODOS LOS DERECHOS RESERVADOS. ASME Y14.5M 1994



DESCRIPCION: OUTLINE	
TAMAÑO: C	NUMERO DE DIBUJO: F48Z17A01
ESCALA: NONE	HOJA: 1

4

3

2

1

4

3

2

1

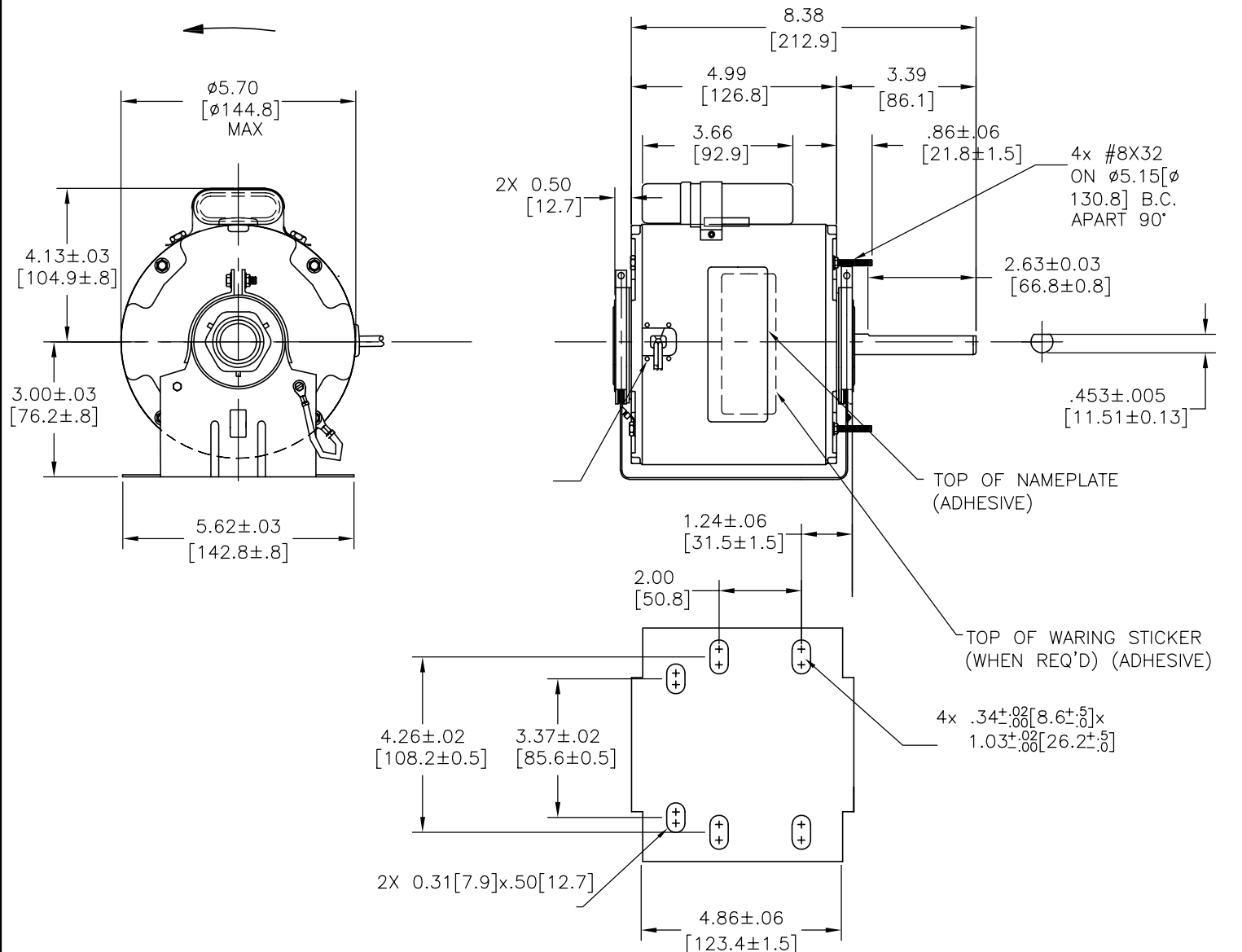
总要求:

轴跳动: .001/1 [.03/25.4] (外伸轴)
 端部窜动量: .010 - .063 [.25 - 1.60]
 轴承: 含油轴承
 安装位置: 水平

电气数据:

过载保护: 自动复位 (T. I. 7AM 036)
 引线: 18GA, 厚.03[.8] PVC 105°C 绝缘
 接地线: 16GA, 厚.03[0.8] 绿色绝缘

版本	更改通知号	项目号	编制	日期	批准	日期
A	00002404	0700137	AMY	04-20-07	.	.



铭牌数据	外部连接详图
MODEL NO.: F48Z17A01 CUST. P/N: 734A HP: 1/4 ROT.: CCWLE RPM: 1135 TYPE: UF FRAME: 48Y VOLTS: 115 PH: 1 AMPS: 4.5 HZ: 60 INS.: B AMB.: 60°C DUTY: AIR OVER CAP.: 5 MFD/370V ENCL: ENCLOSED UL LOGO CSA LOGO THERMALLY PROTECTED	

614131-007

性能曲线编号	转矩在---RPM (25° C)	批准样品	UL部件		CSA	
			文件号	指南	文件号	指南
C32682	24.5 OZ. FT.	0603174A	E46412	PRGY2	LR43341	4211-01

颜色	长度	端子或剥线长度

非引线端机壳	非引线端端盖	引线端机壳	引线端端盖

用户	
----	--

- 形位公差
- 平面度
- 直线度
- ∠ 倾斜度
- ⊥ 垂直度
- ∥ 平行度
- 圆度
- ⊘ 圆柱度
- ⊖ 面轮廓度
- ⊕ 线轮廓度
- ↗ 圆跳动
- ⊕ 位置度
- ⊙ 同轴度
- ≡ 对称度

A. O. SMITH在个别领域为客户
 提供技术支持。鉴于A. O. SMITH
 未收到任何涉及电机使用和
 应用环境的数据，电机的适用性
 由客户自己决定。

未注公差尺寸仅供参考。

绘图: AMY	04-13-07
批准:	
第三角投影	
机密: 本图纸及相关信息所有权归A. O. SMITH公司所有。 未经A. O. SMITH公司书面授权，不得泄露、复制或传播或作 其他用途。--版权所有	图纸格式发布日期 EDS DATE 图纸格式版本 E
ASME Y14.5M 1994	

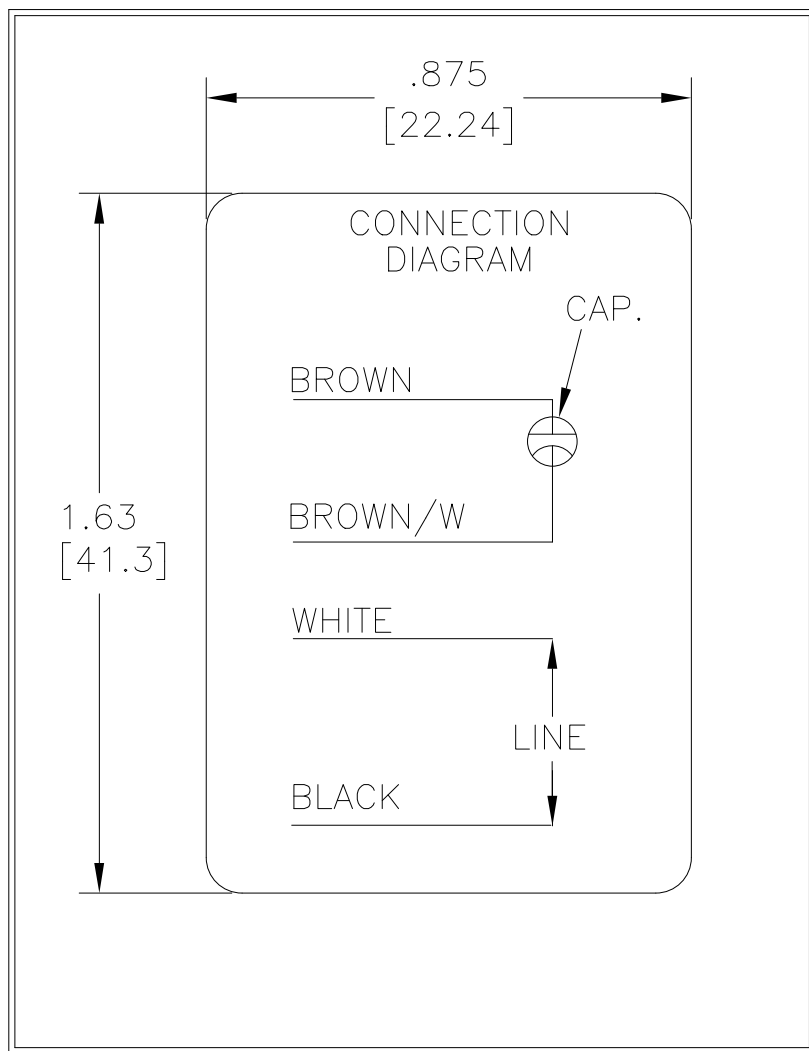
A. O. SMITH ELECTRICAL PRODUCTS COMPANY TIPP CITY, OHIO		A DIVISION OF A. O. SMITH CORPORATION COPYRIGHT 1995	
名称: OUTLINE			
图幅: C	图号: F48Z17A01	比例: NONE	
页号: 1			

4

3

2

1



DRAWING REVISION D	REVISION BY J. RUPERT	DATE 04-26-2023
ECO NMR-0222169	APPROVED BY J. RUPERT	DATE 04-26-2023

ECO DESCRIPTION
REVISED FOR UP ISSUE

COPYRIGHT REGAL BELOIT AMERICA, INC. ALL RIGHTS RESERVED.
PROPRIETARY AND CONFIDENTIAL INFORMATION - THIS DOCUMENT IS THE PROPERTY OF
REGAL BELOIT AMERICA, INC. ("OWNER") AND CONTAINS OWNER'S PROPRIETARY
INFORMATION. ANY PERSON, CORPORATION OR OTHER FIRM RECEIVING IT IS DEEMED,
BY RECEIVING IT, TO AGREE THAT IT, AND/OR ANY PART OF IT, SHALL NOT BE DISCLOSED
TO ANY PERSON, CORPORATION OR OTHER ENTITY, DUPLICATED, AND/OR USED, EXCEPT
AS EXPRESSLY APPROVED IN WRITING IN ADVANCE BY OWNER. THIS DOCUMENT SHALL
BE RETURNED TO OWNER UPON REQUEST. IT MAY BE SUBJECT TO CERTAIN
RESTRICTIONS UNDER APPLICABLE EXPORT CONTROL LAWS AND REGULATIONS.

TOLERANCES UNLESS OTHERWISE SPECIFIED			
DEC.	INCH	mm	ANGLE
.X	±0.1	[±2.5]	±0.5°
.XX	±0.02	[±0.51]	
.XXX	±0.005	[±0.127]	
.XXXX	±0.0005	[±0.0127]	
REMOVE BURRS & BREAK SHARP EDGES .003/.015 [.076/.381] X 45°			
CORNER FILLETS R.02 [.51]			
MACHINED SURFACES			
$\sqrt[.125]{\text{INCH}}$ / $\sqrt[.32]{\text{mm}}$			
mm SHOWN IN [BRACKETS]			

DRAWN BY: N. LONG
DATE: 07-14-1986
APPROVED BY:
DATE:
REFERENCE
THIRD ANGLE PROJECTION

Regal Beloit America, Inc.	
DESCRIPTION CONN-DIAGRAM NAMEPLATE	
MATERIAL	PROCESS/FINISH
SIZE A	DWG NO 6 of 6
614131-007	
SHEET 1	