

PRODUCT INFORMATION PACKET



Model No: 743A
Catalog No: 743A

OEM Replacement Motor, 1/6 HP, 1 Ph, 60 Hz, 208-230 V, 825 RPM, 1 Speed, 48 Frame, ENCLOSED



Regal and Century are trademarks of Regal Rexnord Corporation or one of its affiliated companies.
©2025 Regal Rexnord Corporation, All Rights Reserved. MC017097E





Nameplate Specifications

Phase	1	Output HP	1/6 Hp
Output KW	0.13 kW	Voltage	208-230 V
Speed	825 rpm	Service Factor	1.0
Frame	48Y	Enclosure	Totally Enclosed
Thermal Protection	Automatic	Ambient Temperature	60 °C
Frequency	60 Hz	Current	1.0 A
Duty	Air Over	Insulation Class	B
UL	Recognized	CSA	Y
CE	N	Number of Speeds	1

Technical Specifications

Electrical Type	Permanent Split Capacitor	Starting Method	Across The Line
Poles	8	Rotation	Counterclockwise Lead End
Mounting	Extended Studs	Motor Orientation	Vertical Shaft Down
Drive End Bearing	Sleeve	Opp Drive End Bearing	Sleeve
Frame Material	Rolled Steel	Shaft Type	Flat
Overall Length	7.11 in	Frame Length	3.50 in
Shaft Diameter	0.500 in	Shaft Extension	2.52 in
Connection Drawing	614131-003	Outline Drawing	F48Y72A01

This is an uncontrolled document once printed or downloaded and is subject to change without notice. Date Created:02/10/2025

GENERAL INFORMATION:

SHAFT RUNOUT: .001 [.03] T.I.R. PER INCH LENGTH OF EXTENSION

END PLAY: .010 TO .063 [.25 TO 1.60]

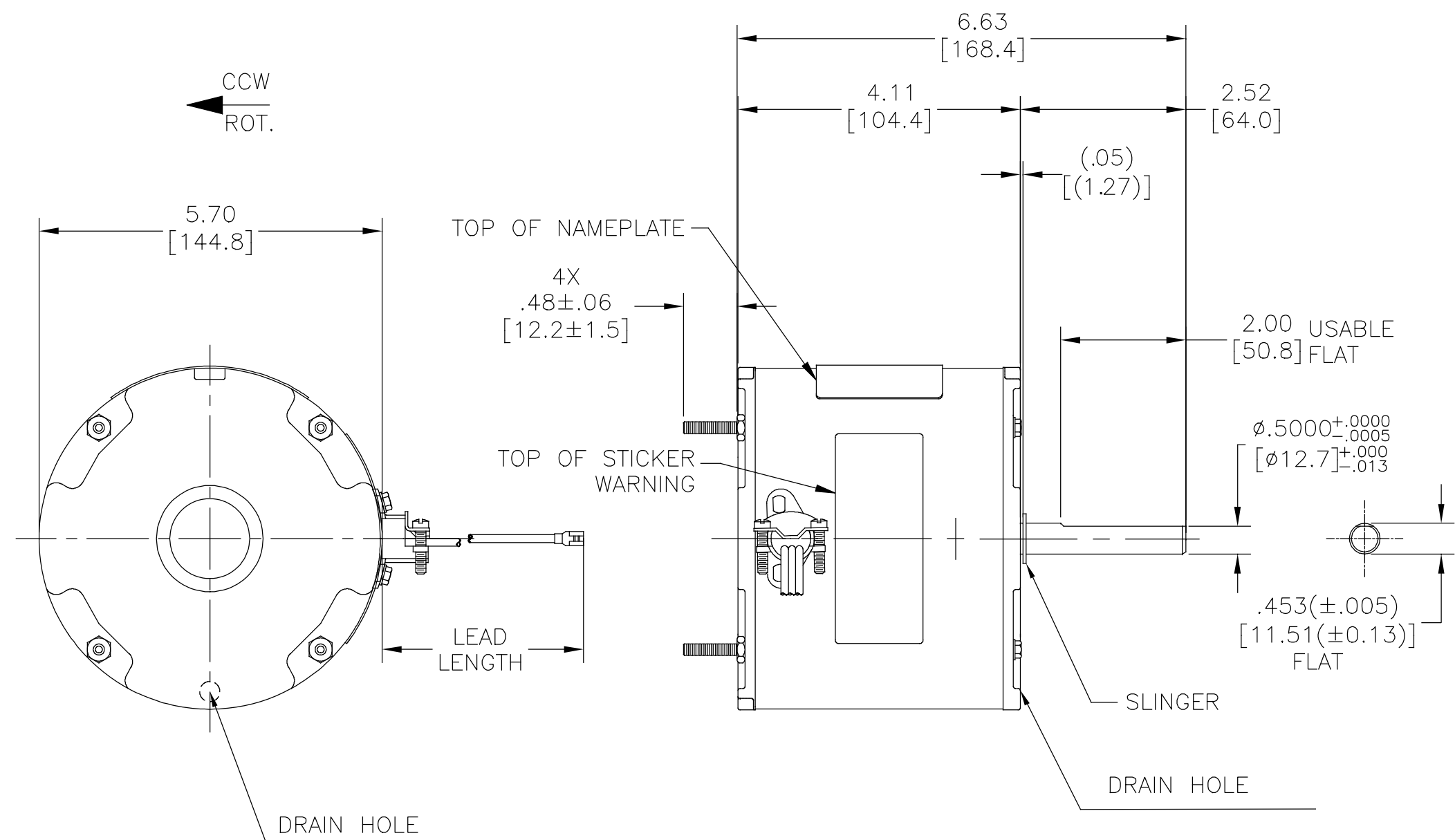
BEARINGS: SLEEVE

MOUNTING POSITION: VERTICAL SHAFT DOWN

ELECTRICAL DATA:

OVERLOAD PROTECTOR: AUTOMATIC RESET (T.I. 7AM 036)

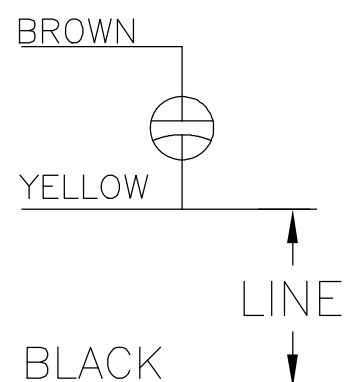
LEADS: NO. 18 GA., .06 [1.5] THK. PVC 105°C INSUL.



NAMEPLATE DATA:

MODEL NO.: F48Y72A01
 CUST. P/N: 743A
 HP: 1/6
 ROT.: CCWLE
 RPM: 825
 TYPE: UF
 FRAME: 48Y
 VOLTS: 208-230
 PH: 1
 AMPS: 1.0
 HZ: 60
 INS.: B
 AMB.: 60°C
 DUTY: AIR OVER
 CAP.: 5 MFD/370 V
 ENCL: ENCLOSED
 UL LOGO
 CSA LOGO
 THERMALLY PROTECTED

EXTERNAL CONNECTION DIAGRAM



614131-003

PERFORMANCE CURVE NO.	TORQUE @ 825 RPM (25°C)	APPROVED SAMPLE	UL COMPONENT		CSA	
			FILE #	CCN #	FILE #	CLASS #
C32647	19.6 OZ. FT.	0601684B	E46412	PRGY2	LR43341	4211-01

COLOR	LENGTH	TERMINAL OR STRIP LENGTH
BLACK	70/74	.25 FEMALE SPADE
YELLOW	70/74	.25 FEMALE SPADE
BROWN	70/74	.25 FEMALE SPADE

REGAL-BELOIT CORPORATION (RBC) PROVIDES TECHNICAL ASSISTANCE TO OUR CUSTOMERS IN SEVERAL AREAS. SINCE RBC DOES NOT RECEIVE ALL DATA CONCERNING THE USE AND APPLICATION OF THE MOTOR, THE SUITABILITY OF THE MOTOR FOR THE APPLICATION MUST BE DETERMINED BY THE CUSTOMER.

DIMENSIONS WITHOUT TOLERANCES ARE FOR REFERENCE ONLY.

MAIN FRAME - OLE	ENCLOSED
END FRAME - OLE	ENCLOSED (DRAIN HOLE)
MAIN FRAME - LE	ENCLOSED
END FRAME - LE	ENCLOSED

CUSTOMER	DISTRIBUTION

DRAWING REVISION	REVISION BY	DATE
E	JERRY CHAI	12-04-2018
ECO	SARA HELTON	12-04-2018

ECO-0157039
 APPROVED BY: SARA HELTON
 DATE: 12-04-2018
 ECO DESCRIPTION: SEE ECO

COPYRIGHT REGAL-BELOIT CORPORATION, INC. ALL RIGHTS RESERVED. PROPRIETARY AND CONFIDENTIAL INFORMATION - THIS DOCUMENT IS THE PROPERTY OF REGAL-BELOIT CORPORATION, INC. ("OWNER") AND CONTAINS OWNER'S PROPRIETARY INFORMATION. ANY PERSON, CORPORATION OR OTHER FIRM RECEIVING IT IS DEEMED, BY RECEIVING IT, TO AGREE THAT IT, AND/OR ANY PART OF IT, SHALL NOT BE DISCLOSED TO ANY PERSON, CORPORATION OR OTHER ENTITY, DUPLICATED, AND/OR USED, EXCEPT AS EXPRESSLY APPROVED IN WRITING IN ADVANCE BY OWNER. THIS DOCUMENT SHALL BE RETURNED TO OWNER UPON REQUEST. IT MAY BE SUBJECT TO CERTAIN RESTRICTIONS UNDER APPLICABLE EXPORT CONTROL LAWS AND REGULATIONS.

ENCLOSURE	
DRAWN BY: CADDIE.ZHOU	DATE: 06-07-2018
APPROVED BY: SARA HELTON	DATE: 06-07-2018
PROCESS/FINISH	
THIRD ANGLE PROJECTION	

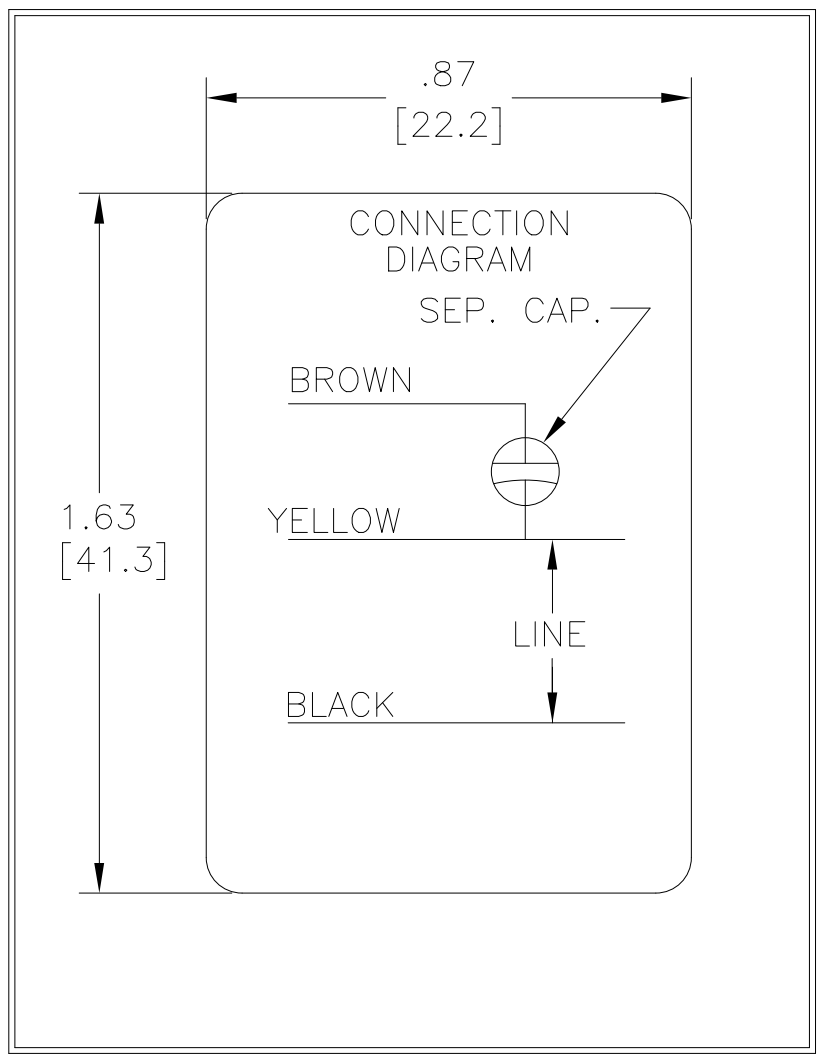
REGAL™ Regal Beloit America, Inc.

DESCRIPTION: MODEL-RFHP-48FR OUTLINE

MATERIAL: -

SIZE DWG NO: C F48Y72A01

SHEET 1



DRAWING REVISION D	REVISION BY J. RUPERT	DATE 06-30-2023
ECO NMR-0223535	APPROVED BY J. RUPERT	DATE 06-30-2023

ECO DESCRIPTION
REVISED FOR UP ISSUE

COPYRIGHT REGAL BELOIT AMERICA, INC. ALL RIGHTS RESERVED.
 PROPRIETARY AND CONFIDENTIAL INFORMATION - THIS DOCUMENT IS THE PROPERTY OF
 REGAL BELOIT AMERICA, INC. ("OWNER") AND CONTAINS OWNER'S PROPRIETARY
 INFORMATION. ANY PERSON, CORPORATION OR OTHER FIRM RECEIVING IT IS DEEMED,
 BY RECEIVING IT, TO AGREE THAT IT, AND/OR ANY PART OF IT, SHALL NOT BE DISCLOSED
 TO ANY PERSON, CORPORATION OR OTHER ENTITY, DUPLICATED, AND/OR USED, EXCEPT
 AS EXPRESSLY APPROVED IN WRITING IN ADVANCE BY OWNER. THIS DOCUMENT SHALL
 BE RETURNED TO OWNER UPON REQUEST. IT MAY BE SUBJECT TO CERTAIN
 RESTRICTIONS UNDER APPLICABLE EXPORT CONTROL LAWS AND REGULATIONS.

TOLERANCES UNLESS OTHERWISE SPECIFIED			
DEC.	INCH	mm	ANGLE
.X	±0.1	[±2.5]	±0.5°
.XX	±0.02	[±0.51]	
.XXX	±0.005	[±0.127]	
.XXXX	±0.0005	[±0.0127]	
REMOVE BURRS & BREAK SHARP EDGES .003/.015 [.076/.381] X 45°			
CORNER FILLETS R.02 [.51]			
MACHINED SURFACES			
$\sqrt{125}$ INCH \sqrt{mm} $\sqrt{3.2}$			
mm SHOWN IN [BRACKETS]			

DRAWN BY: N. LONG
DATE: 07-14-1986
APPROVED BY:
DATE:
REFERENCE
THIRD ANGLE PROJECTION

REGAL ™ Regal Beloit America, Inc.	
DESCRIPTION CONN DIAGRAM-NAMEPLATE	
MATERIAL	PROCESS/FINISH
SIZE A	DWG NO 4 of 4 614131-003
SHEET 1	