

# PRODUCT INFORMATION PACKET



Model No: 78  
Catalog No: 78

OEM Replacement Motor, 1/15 HP, 1 Ph, 60/50 Hz, 115 V, 1550 RPM, 1 Speed, 4.4" Diameter, OAO



Regal and Century are trademarks of Regal Rexnord Corporation or one of its affiliated companies.  
©2022 Regal Rexnord Corporation, All Rights Reserved. MC017097E





**Nameplate Specifications**

Output HP	<b>1/15 Hp</b>	Output KW	<b>0.05 kW</b>
Frequency	<b>50 Hz</b>	Voltage	<b>115 V</b>
Current	<b>2.1 A</b>	Speed	<b>1550 rpm</b>
Service Factor	<b>1</b>	Phase	<b>1</b>
Duty	<b>Continuous Air Over</b>	Insulation Class	<b>A</b>
Frame	<b>4.4</b>	Enclosure	<b>Open Air Over</b>
Thermal Protection	<b>Automatic</b>	Ambient Temperature	<b>40 °C</b>
UL	<b>Recognized</b>	CSA	<b>Y</b>
CE	<b>N</b>	Number of Speeds	<b>1</b>

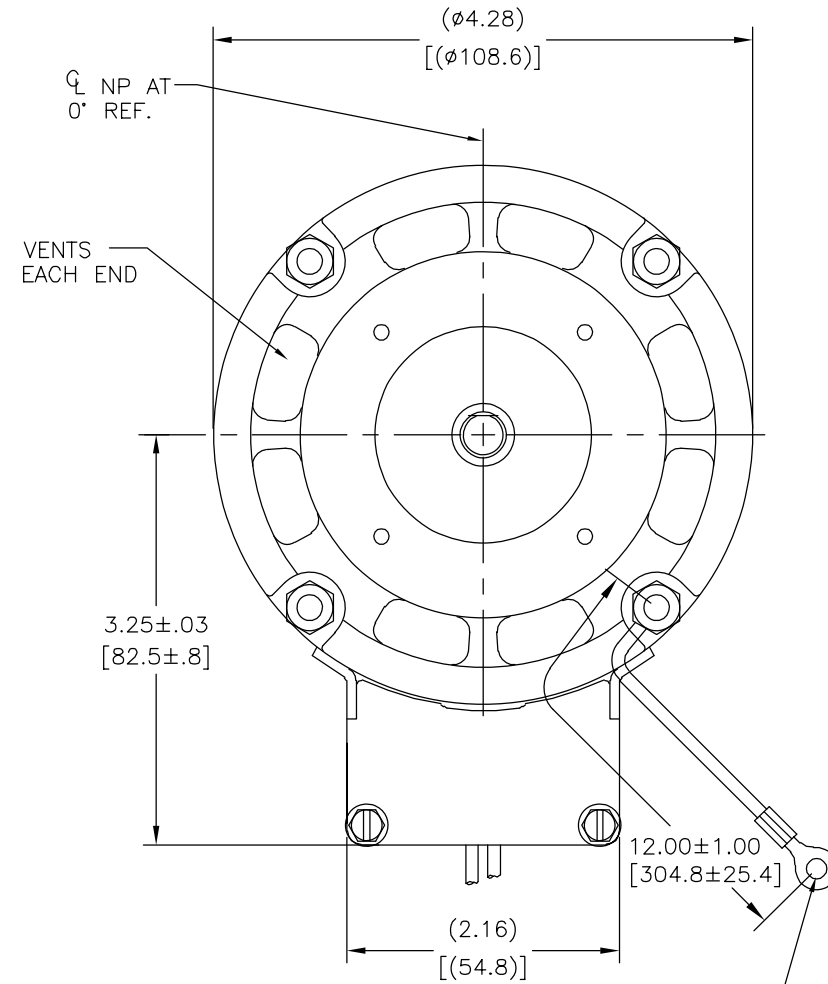
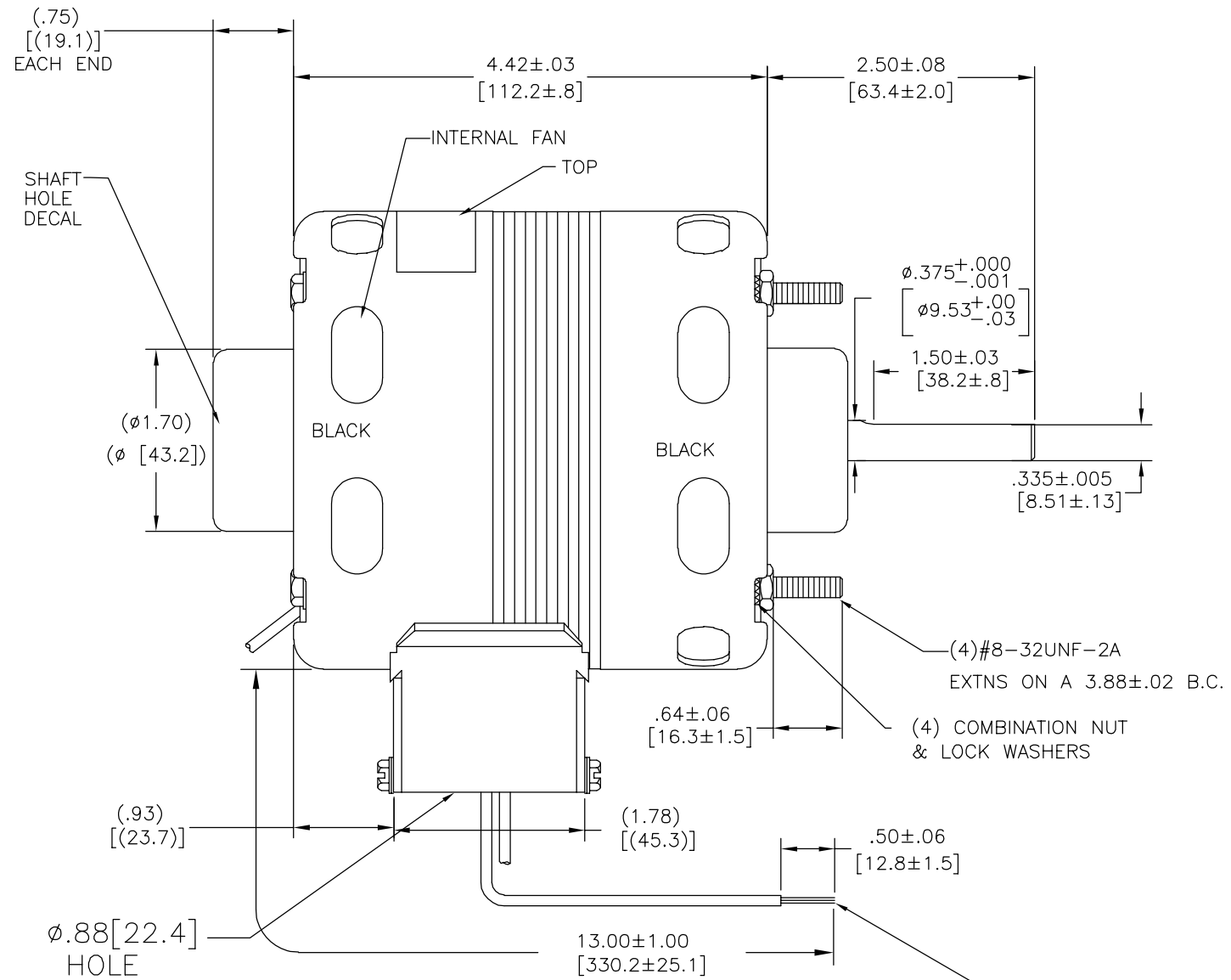
**Technical Specifications**

Electrical Type	<b>Shaded Pole</b>	Starting Method	<b>Across The Line</b>
Poles	<b>4</b>	Rotation	<b>Clockwise Shaft End</b>
Mounting	<b>Extended Studs</b>	Motor Orientation	<b>Horizontal</b>
Drive End Bearing	<b>Ball</b>	Opp Drive End Bearing	<b>Ball</b>
Frame Material	<b>Rolled Steel</b>	Shaft Type	<b>Flat</b>
Overall Length	<b>7.67 in</b>	Shaft Diameter	<b>0.375 in</b>
Shaft Extension	<b>3/8 X 2 1/2 in</b>		
Outline Drawing	<b>78-S01</b>		

This is an uncontrolled document once printed or downloaded and is subject to change without notice. Date Created:11/29/2022

CUSTOMER IS SOLELY RESPONSIBLE FOR MOTOR PERFORMANCE AND SUITABILITY IN APPLICATIONS FOR CUSTOMER'S USES

BEARING PRELOAD OLE



NAMEPLATE DATA:

**Century**® Universal Electric® Motor Tipp City, OH  
THERMALLY PROTECTED



SER. DATE PLT MOD CB2G011N#  
115V 50/60HZ 2.1A 1550RPM 1/15HP 1PH  
BALL BEARINGS ← ROTATION → CONT A.O.  
STOCK NO. 78 ASSEMBLED IN MEXICO

ELECTRICALLY PER  
SAMPLE S-2971D

CCWLE-CWSE				BOM CHG [BJ]			
DRAWING REVISION BL	REVISION BY F.NAVARRO	DATE 06-17-2014	TOLERANCES UNLESS OTHERWISE SPECIFIED DEC. INCH mm ANGLE .X ±0.1 [±2.5] ±0.5° .XX ±0.02 [±0.51] .XXX ±0.005 [±0.127] .XXXX ±0.0005 [±0.0127]	DRAWN BY:	REGAL™ Regal Beloit America, Inc.		
ECO 0052995	APPROVED BY G.ALVIDREZ	DATE 06-17-2014	REMOVE BURRS & BREAK SHARP EDGES .003/.015 [0.076/.381] CORNER FILLETS .02 [1.51] MACHINED SURFACES .125 INCH / 3.2 mm SHOWN IN [BRACKETS]	DATE:	DESCRIPTION MODEL-SFHP-4.3 OUTLINE		
ECO DESCRIPTION SEE ECO	COPYRIGHT REGAL BELOIT AMERICA, INC. ALL RIGHTS RESERVED. PROPRIETARY AND CONFIDENTIAL INFORMATION - THIS DOCUMENT IS THE PROPERTY OF REGAL BELOIT AMERICA, INC. (OWNER) AND CONTAINS OWNER'S PROPRIETARY INFORMATION. ANY PERSON, CORPORATION OR OTHER FIRM RECEIVING IT IS DEEMED, BY RECEIVING IT, TO AGREE THAT IT, AND/OR ANY PART OF IT, SHALL NOT BE DISCLOSED TO ANY PERSON, CORPORATION OR OTHER ENTITY, DUPLICATED, AND/OR USED, EXCEPT AS EXPRESSLY APPROVED IN WRITING IN ADVANCE BY OWNER. THIS DOCUMENT SHALL BE RETURNED TO OWNER UPON REQUEST. IT MAY BE SUBJECT TO CERTAIN RESTRICTIONS UNDER APPLICABLE EXPORT CONTROL LAWS AND REGULATIONS.			APPROVED BY:	MATERIAL	PROCESS/FINISH	SHEET
				REFERENCE			1
				THIRD ANGLE PROJECTION	SIZE DWG NO C 78		