

# PRODUCT INFORMATION PACKET



Model No: 7FD1024S  
Catalog No: 7FD1024S  
1/4 HP Fan & Blower Motor, 1625 RPM, 277 Volts, 48 Frame, Semi Enclosed  
Fan and Blower Motors



Regal and Century are trademarks of Regal Rexnord Corporation or one of its affiliated companies.  
©2021 Regal Rexnord Corporation, All Rights Reserved. MC017097E





**Nameplate Specifications**

Output HP	<b>1/4 Hp</b>	Output KW	<b>0.19 kW</b>
Frequency	<b>60 Hz</b>	Voltage	<b>277 V</b>
Current	<b>1.35 A</b>	Speed	<b>1625 rpm</b>
Service Factor	<b>1</b>	Phase	<b>1</b>
Duty	<b>Air Over</b>	Insulation Class	<b>A</b>
Frame	<b>48Y</b>	Enclosure	<b>Semi Enclosed</b>
Thermal Protection	<b>Automatic</b>	Ambient Temperature	<b>50 °C</b>
UL	<b>Recognized</b>	CSA	<b>Y</b>
CE	<b>N</b>	Number of Speeds	<b>1</b>

**Technical Specifications**

Electrical Type	<b>Permanent Split Capacitor</b>	Starting Method	<b>Across The Line</b>
Poles	<b>4</b>	Rotation	<b>Reversible</b>
Mounting	<b>Resilient Rings</b>	Motor Orientation	<b>Any</b>
Drive End Bearing	<b>Sleeve</b>	Opp Drive End Bearing	<b>Sleeve</b>
Frame Material	<b>Rolled Steel</b>	Shaft Type	<b>Flat</b>
Overall Length	<b>12.99 in</b>	Frame Length	<b>3.88 in</b>
Shaft Diameter	<b>0.500 in</b>	Shaft Extension	<b>8 in</b>
Connection Drawing	<b>614131-242</b>	Outline Drawing	<b>7FD1024S-S01</b>

This is an uncontrolled document once printed or downloaded and is subject to change without notice. Date Created:10/12/2021

GENERAL INFORMATION:

SHAFT RUNOUT: .001 [.025] T.I.R. PER INCH LENGTH OF EXTENSION

END PLAY: .010 TO .063 [.254 TO 1.600]

BEARINGS: SLEEVE

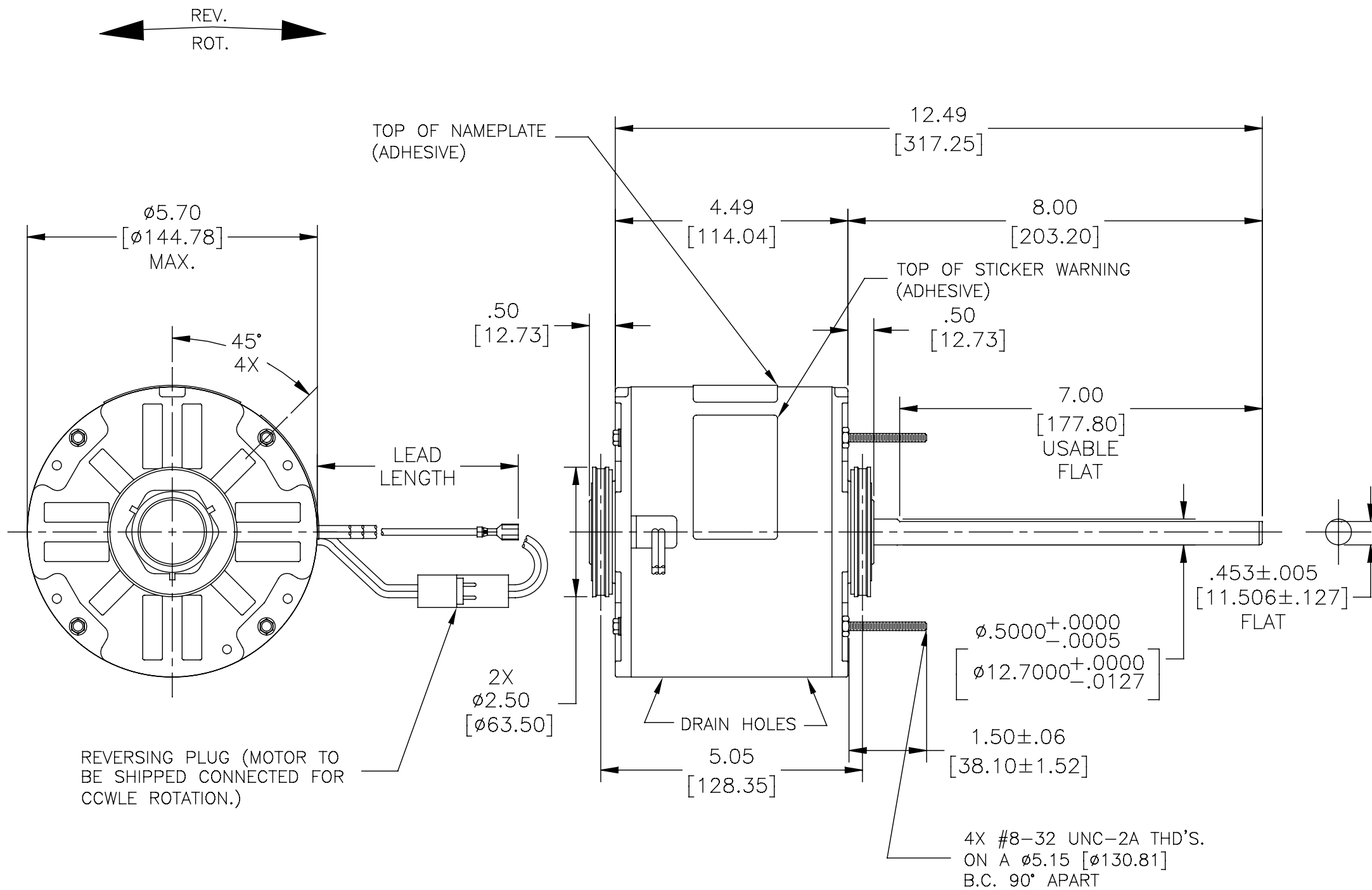
MOUNTING POSITION: ALL ANGLE

ELECTRICAL DATA:

OVERLOAD PROTECTOR: AUTOMATIC RESET (T.I. 7AM 032)

LEADS: NO. 18 GA., .06 [1.52] THK. EPDM 125°C INSUL.

REVERSING PLUGS: NO. 18 GA., .03 [.76] THK. XLP 125°C INSUL.

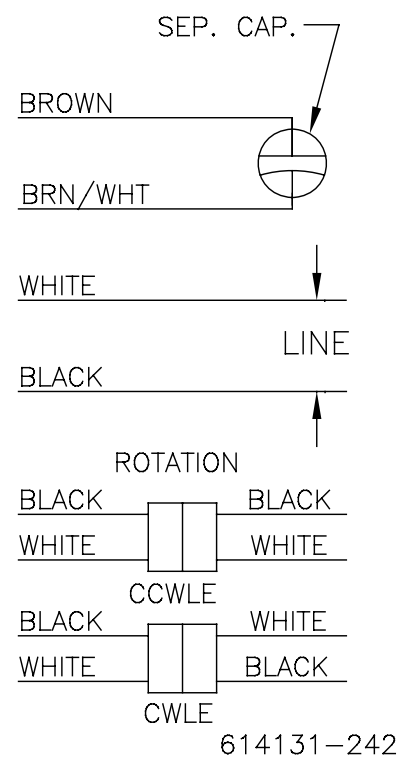


REVERSING PLUG (MOTOR TO BE SHIPPED CONNECTED FOR CCWLE ROTATION.)

NAMEPLATE DATA:

MODEL NO.: F48J47A01  
 CUST. P/N: 7FD1024S  
 HP: 1/4  
 ROT.: REVERSIBLE  
 RPM: 1625  
 TYPE: UF  
 FRAME: 48Y  
 VOLTS: 277  
 PH: 1  
 AMPS: 1.35 (2.0 MAX.)  
 HZ: 60  
 INS.: A  
 AMB.: 50° C  
 DUTY: AIR OVER  
 CAP.: 3 MFD/370 V  
 ENCL: SEMI-ENCL.  
 UL LOGO  
 CSA LOGO  
 THERMALLY PROTECTED

EXTERNAL CONNECTION DIAGRAM



BLACK/WHITE	3.0/5.0 [76.2/127.0]	REVERSING PLUG
BROWN	14.0/16.0 [355.6/406.4]	.25 [6.35] FEMALE SPADE
BROWN/WHITE	14.0/16.0 [355.6/406.4]	.25 [6.35] FEMALE SPADE
WHITE	14.0/16.0 [355.6/406.4]	.25 [6.35] FEMALE SPADE
BLACK	14.0/16.0 [355.6/406.4]	.25 [6.35] FEMALE SPADE
COLOR	LENGTH	TERMINAL OR STRIP LENGTH
LEAD DATA		

MAIN FRAME - OLE	ENCLOSED
END FRAME - OLE	OPEN
MAIN FRAME - LE	ENCLOSED
END FRAME - LE	OPEN
ENCLOSURE	

CUSTOMER	DISTRIBUTION SERVICE
----------	----------------------

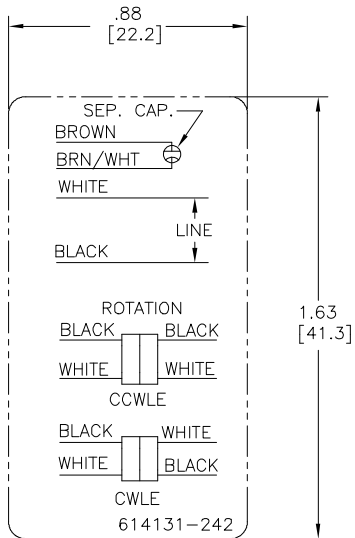
PERFORMANCE CURVE NO.	TORQUE @1725 RPM (25°C)	APPROVED SAMPLE	UL COMPONENT		CSA	
			FILE #	CCN #	FILE #	CLASS #
C23443	11.0 OZ. FT.	EX11532	E46412	PRGY2	LR43341	4211-01

DRAWING REVISION	REVISION BY	DATE
C	J.CHAI	02-18-2016
ECO	APPROVED BY	DATE
0097040	C.ZHANG	02-18-2016
ECO DESCRIPTION SEE ECO		

COPYRIGHT REGAL BELOIT AMERICA, INC. ALL RIGHTS RESERVED. PROPRIETARY AND CONFIDENTIAL INFORMATION - THIS DOCUMENT IS THE PROPERTY OF REGAL BELOIT AMERICA, INC. ("OWNER") AND CONTAINS OWNER'S PROPRIETARY INFORMATION. ANY PERSON, CORPORATION OR OTHER FIRM RECEIVING IT IS DEEMED, BY RECEIVING IT, TO AGREE THAT IT, AND/OR ANY PART OF IT, SHALL NOT BE DISCLOSED TO ANY PERSON, CORPORATION OR OTHER ENTITY, DUPLICATED, AND/OR USED, EXCEPT AS EXPRESSLY APPROVED IN WRITING IN ADVANCE BY OWNER. THIS DOCUMENT SHALL BE RETURNED TO OWNER UPON REQUEST. IT MAY BE SUBJECT TO CERTAIN RESTRICTIONS UNDER APPLICABLE EXPORT CONTROL LAWS AND REGULATIONS.


DRAWN BY:	J.RUPERT
DATE:	05-13-2011
APPROVED BY:	J.RUPERT
DATE:	05-13-2011
PROCESS/FINISH	
THIRD ANGLE PROJECTION	

	<b>Regal Beloit America, Inc.</b>
DESCRIPTION	MODEL-RFHP-48FR OUTLINE
MATERIAL	
SIZE DWG NO	C 7FD1024S
SHEET	1



## NOTES:

1. FOR USE WITH 614129 NAMEPLATE BLANK
2. --- INDICATES DIMENSION LIMITS
3. DIE TO BE MADE FROM MASTER SUPPLIED BY A. O. SMITH CORPORATION
4. DIE MUST PRODUCE A LEGIBLE IMPRESSION.

DRAWING REVISION E	REVISION BY J. RUPERT	DATE 04-15-2021	TOLERANCES UNLESS OTHERWISE SPECIFIED		DRAWN BY: YL	 <b>Regal Beloit America, Inc.</b>
ECD NMR-0208134	APPROVED BY J. RUPERT	DATE 04-15-2021	DEC.	INCH	mm	
ECO DESCRIPTION UP ISSUED			.X	±0.1	[±2.5]	±0.5°
<small>COPYRIGHT REGAL BELOIT AMERICA, INC. ALL RIGHTS RESERVED.          PROPRIETARY AND CONFIDENTIAL INFORMATION - THIS DOCUMENT IS THE PROPERTY OF          REGAL BELOIT AMERICA, INC. ("OWNER") AND CONTAINS OWNER'S PROPRIETARY          INFORMATION. ANY PERSON, CORPORATION OR OTHER FIRM RECEIVING IT IS DEEMED          BY RECEIVING IT, TO AGREE THAT IT, AND/OR ANY PART OF IT, SHALL NOT BE DISCLOSED          TO ANY PERSON, CORPORATION OR OTHER ENTITY, DUPLICATED, AND/OR USED, EXCEPT          AS EXPRESSLY APPROVED IN WRITING IN ADVANCE BY OWNER. THIS DOCUMENT SHALL          BE RETURNED TO OWNER UPON REQUEST. IT MAY BE SUBJECT TO CERTAIN          RESTRICTIONS UNDER APPLICABLE EXPORT CONTROL LAWS AND REGULATIONS.</small>			.XX	±0.02	[±0.51]	
			.XXX	±0.005	[±0.127]	
			.XXXX	±0.0005	[±0.0127]	
			REMOVE BURRS & BREAK SHARP EDGES .003/.015 [0.076/.381] X 45° CORNER FILLETS R.02 [5.1] MACHINED SURFACE			
			4 of 4 mm <sup>3.2</sup>			
			mm SHOWN IN [BRACKETS]			
			DATE: 04-15-2011	DESCRIPTION EXTERNAL		
			APPROVED BY: HZ	MATERIAL		
			DATE: 04-15-2011	PROCESS/FINISH		
			REFERENCE	SIZE DWG NO		
			THIRD ANGLE PROJECTION	614131-242		
				SHEET 1		