

PRODUCT INFORMATION PACKET



Model No: 7FD1056

Catalog No: 7FD1056

Fan and Blower Motor, 1/2 HP, 1 Ph, 60 Hz, 277 V, 1075 RPM, 3 Speed, 48 Frame, OPEN



Regal and Century are trademarks of Regal Rexnord Corporation or one of its affiliated companies.
©2024 Regal Rexnord Corporation, All Rights Reserved. MC017097E





Nameplate Specifications

Phase	1	Output HP	1/2 Hp
Output KW	0.37 kW	Voltage	277 V
Speed	1075 rpm	Service Factor	1
Frame	48Y	Enclosure	Open Enclosed
Thermal Protection	Automatic	Ambient Temperature	50 °C
Frequency	60 Hz	Current	2.2 A
Duty	Air Over	Insulation Class	B
UL	Recognized	CSA	Y
CE	N	Number of Speeds	3

Technical Specifications

Electrical Type	Permanent Split Capacitor	Starting Method	Across The Line
Poles	6	Rotation	Reversible
Mounting	Resilient Ring/Extended Studs	Motor Orientation	Horizontal
Drive End Bearing	Ball	Opp Drive End Bearing	Ball
Frame Material	Rolled Steel	Shaft Type	Flat
Overall Length	12.30 in	Frame Length	4.75 in
Shaft Diameter	0.500 in	Shaft Extension	6.4 in
Connection Drawing	614131-111	Outline Drawing	7FD1056-S01

This is an uncontrolled document once printed or downloaded and is subject to change without notice. Date Created:11/27/2024

GENERAL INFORMATION:

SHAFT RUNOUT: .001[.025] T. I. R. PER INCH LENGTH OF EXTENSION.

BEARINGS: BALL

MOUNTING POSITION: HORIZONTAL

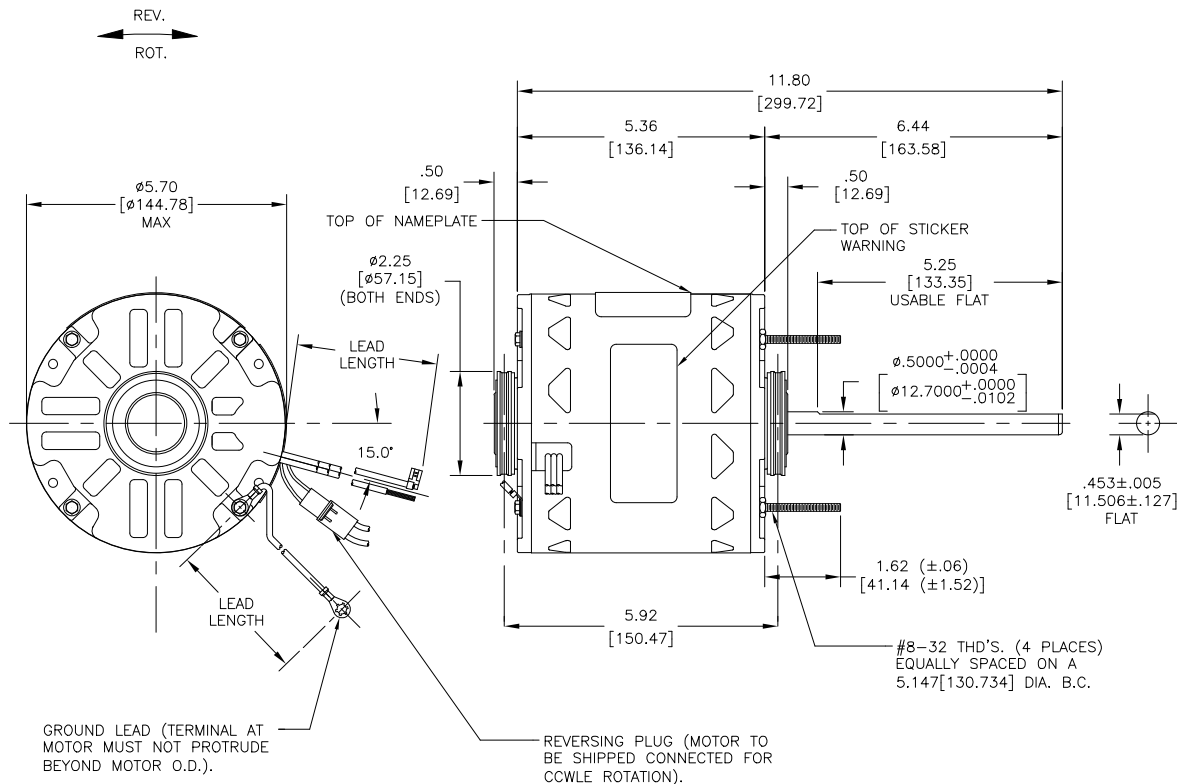
ELECTRICAL DATA:

OVERLOAD PROTECTOR: AUTOMATIC RESET (T. I. 7AM 036)

LEADS: No. 18 GA., .06[1.52] THK. PVC 105°C INSUL.

REVERSING LEADS: No. 18 GA., .03[.76] THK. 125°C INSUL.

GROUND LEAD: No. 18 GA., .03[.76] THK., (GREEN) INSUL.



GROUND LEAD (TERMINAL AT MOTOR MUST NOT PROTRUDE BEYOND MOTOR O.D.).

REVERSING PLUG (MOTOR TO BE SHIPPED CONNECTED FOR CCWLE ROTATION).

NOTES:

1. SNAP RINGS 615035 (4 REQ'D.) TO BE PACKED WITH EACH MOTOR
2. RoHS&REACH REQUIREMENT SEE EP000014
3. CTQ REQUIREMENT SEE EP000105-008

REGAL-BELOIT CORPORATION (RBC) PROVIDES TECHNICAL ASSISTANCE TO OUR CUSTOMERS IN SEVERAL AREAS. SINCE RBC DOES NOT RECEIVE ALL DATA CONCERNING THE USE AND APPLICATION OF THE MOTOR, THE SUITABILITY OF THE MOTOR FOR THE APPLICATION MUST BE DETERMINED BY THE CUSTOMER.

DIMENSIONS WITHOUT TOLERANCES ARE FOR REFERENCE ONLY.

MAIN FRAME - OLE	OPEN
END FRAME - OLE	OPEN
MAIN FRAME - LE	OPEN
END FRAME - LE	OPEN

CUSTOMER	DISTRIBUTION SERVICE
----------	----------------------

NAMEPLATE DATA:	EXTERNAL CONNECTION DIAGRAM
MODEL NO.: F48A31A01 CUST. P/N: 7FD1056 HP: 1/2 ROT.: REVERSIBLE RPM: 1075/3 SPD. TYPE: UF FRAME: 48Y VOLTS: 277 PH: 1 AMPS: 2.2 (3.2 MAX) HZ: 60 INS.: B AMB.: 50 ° C DUTY: AIR COVER CAP.: 10 MFD/370 V ENCL: OPEN CSA LOGO UL LOGO THERMALLY PROTECTED	

614131-111

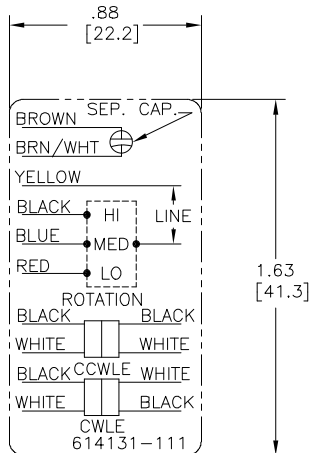
PERFORMANCE CURVE NO.	TORQUE @ 1075 RPM (25°C)	APPROVED SAMPLE	UL COMPONENT		CSA	
			FILE #	GUIDE #	FILE #	GUIDE #
C23313	33.3 OZ. FT.	EX11394	E46412	PRGY2	LR43341	260-Ø-0

GREEN(GRD)	12/13 [305/330]	#10 EYELET
BLACK/WHITE	3/5 [76/127]	REVERSING PLUG
BROWN	26/28 [660/711]	.25[6.35] FLAG
BROWN/WHITE	26/28 [660/711]	.25[6.35] FLAG
YELLOW	26/28 [660/711]	.50[12.7] SKIN
BLACK	26/28 [660/711]	.50[12.7] SKIN
BLUE	26/28 [660/711]	.50[12.7] SKIN
RED	26/28 [660/711]	.50[12.7] SKIN
COLOR	LENGTH	TERMINAL OR STRIP LENGTH

LEAD DATA

CRITICAL TO QUALITY CHARACTERISTICS(CTQs)	DRAWING REVISION	REVISION BY	DATE
Ⓟ PROCESS	ECO	GELINE ZHAO	09-06-2024
Ⓜ ENGINEERING	ECR-0236790	APPROVED BY	DATE
Ⓐ APPLICATION	SEE ECR	DEXIAN LU	09-06-2024
Ⓡ REGULATORY	COPYRIGHT REGAL-BELOIT AMERICA, INC. ALL RIGHTS RESERVED. PROPRIETARY AND CONFIDENTIAL INFORMATION - THIS DOCUMENT IS THE PROPERTY OF REGAL-BELOIT AMERICA, INC. (OWNER) AND CONTAINS OWNER'S PROPRIETARY INFORMATION. ANY PERSON, CORPORATION OR OTHER ENTITY, DUPLICATED, AND/OR USED, EXCEPT BY RECEIVING IT, TO AGREE THAT IT, AND/OR ANY PART OF IT, SHALL NOT BE DISCLOSED TO ANY PERSON, CORPORATION OR OTHER ENTITY, DUPLICATED, AND/OR USED, EXCEPT AS EXPRESSLY APPROVED IN WRITING IN ADVANCE BY OWNER. THIS DOCUMENT SHALL BE RETURNED TO OWNER UPON REQUEST. IT MAY BE SUBJECT TO CERTAIN RESTRICTIONS UNDER APPLICABLE EXPORT CONTROL LAWS AND REGULATIONS.		
Ⓛ LIFE			

ENCLOSURE		DRAWN BY:	
		B.J.F.	
		DATE:	
		09-21-2016	
		APPROVED BY:	
		C.ZHOU	
		DATE:	
		09-21-2016	
		REFERENCE	
		MATERIAL	
		PROCESS/FINISH	
		SIZE DWG NO	
		C 7FD1056	
		SHEET	
		1	



NOTES:

1. FOR USE WITH 614129 NAMEPLATE BLANK
2. ----- INDICATES DIMENSION LIMITS
3. DIE TO BE MADE FROM MASTER SUPPLIED BY A. O. SMITH CORPORATION
4. DIE MUST PRODUCE A LEGIBLE IMPRESSION.

DRAWING REVISION		REVISION BY	DATE	TOLERANCES UNLESS OTHERWISE SPECIFIED		DRAWN BY:		Regal Beloito America, Inc.	
D		J. RUPERT	04-14-2021	DEC.	INCH	mm	ANGLE		
ECO		APPROVED BY	DATE	.X	±0.1	[±2.5]	±0.5°	05-25-2021	
NMR-0208129		J. RUPERT	04-14-2021	.XX	±0.02	[±0.51]		APPROVED BY:	
ECO DESCRIPTION				.XXX	±0.005	[±0.127]		T. RILEY	
UP ISSUED				.XXXX	±0.0005	[±0.0127]		DATE:	
				REMOVE BURRS & BREAK SHARP EDGES .003/.015 [076/381] X 45°				05-25-2010	
				CORNER FILLETS R.02 [51]				DESCRIPTION	
				MACHINED SURFACES				CONNECTION DIAGRAM	
				4 of 4				EXTERNAL	
				mm SHOWN IN [BRACKETS]				MATERIAL	
								PROCESS/FINISH	
								REFERENCE	
								SIZE DWG NO	
								614131-111	
								SHEET	
								1	