

# PRODUCT INFORMATION PACKET



Model No: 84A  
Catalog No: 84A  
Ventilation Motor, 1/10 HP, 1 Ph, 60 Hz, 115 V, 1200 RPM, 4.4 Frame, OAO



Regal and Century are trademarks of Regal Rexnord Corporation or one of its affiliated companies.  
©2022 Regal Rexnord Corporation, All Rights Reserved. MC017097E





**Nameplate Specifications**

Output HP	1/10 Hp	Output KW	0.07 kW
Frequency	60 Hz	Voltage	115 V
Current	4.0 A	Speed	850 rpm
Service Factor	1	Phase	1
Duty	Continuous Air Over	Insulation Class	A
Frame	4.4	Enclosure	Open Air Over
Thermal Protection	Thermally Protected	Ambient Temperature	40 °C
UL	Recognized	CSA	N
CE	Y	Number of Speeds	1

**Technical Specifications**

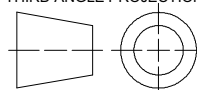
Electrical Type	Shaded Pole	Starting Method	Across The Line
Poles	6	Rotation	Clockwise Shaft End
Mounting	Extended Studs	Drive End Bearing	Sleeve
Opp Drive End Bearing	Sleeve	Frame Material	N/A
Shaft Type	Flat	Frame Length	4.00 in
Shaft Diameter	0.375 in	Shaft Extension	2 1/2 in
Outline Drawing	84A-S01		

This is an uncontrolled document once printed or downloaded and is subject to change without notice. Date Created:11/29/2022



PROPRIETARY INFORMATION NOTICE:  
THIS DOCUMENT IS AND CONTAINS CONFIDENTIAL TRADE SECRET INFORMATION OF THE COMPANY AND  
REMAINS THE PROPERTY OF THE COMPANY AND IS TO BE RETURNED UPON REQUEST. NEITHER IT NOR  
THE INFORMATION IT CONTAINS MAY BE REPRODUCED OR DISCLOSED TO PERSONS NOT HAVING A  
NEED-TO-KNOW CONSISTENT WITH THE PURPOSE OF THE LOAN OF THE DOCUMENT.

THIRD ANGLE PROJECTION

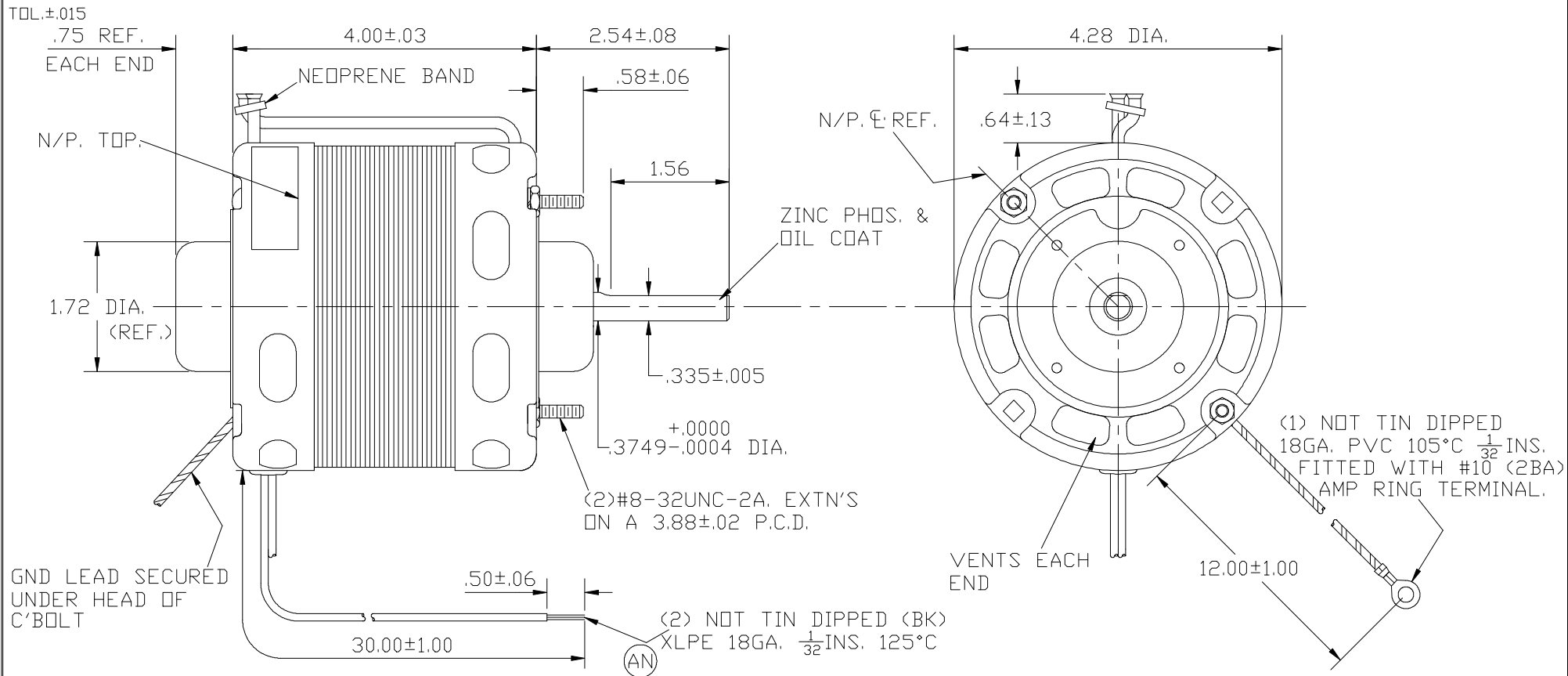


84A

Gainsborough, Lincs DN21 1XU, UK  
Tel.: +44(0)1427 614141 Fax.: +44(0)1427 617513

CUSTOMER IS SOLELY RESPONSIBLE FOR MOTOR PERFORMANCE AND SUITABILITY IN APPLICATIONS FOR CUSTOMER'S USES.

ENDPLAY .04 MAX.



ALL DIMENSIONS IN INCHES UNLESS STATED.

AS SAMPLE P03170/5920

ROTATION CCWLE-CWSE

ISSUE 'AR' 16 JUL 12

REGAL - LAVERGNE



NAMEPLATE DATA:

E46412  
 SER DDDYYGB-sonum-J661 MOD CA3J661N# STOCK No 84A  
 115V 60HZ 4.0A 1/10HP 850RPM 1PH  
 CONT A.O. ←  
 THERMALLY PROTECTED. MADE IN UK. WARRANTY VOID IF REMOVED