

PRODUCT INFORMATION PACKET



Model No: 90
Catalog No: 90

OEM Replacement Motor, 1/8, 1/10 HP, 1 Ph, 60 Hz, 115 V, 1050 RPM, 2 Speed, 42 Frame, OAO



Regal and Century are trademarks of Regal Rexnord Corporation or one of its affiliated companies.
©2026 Regal Rexnord Corporation, All Rights Reserved. MC017097E





Nameplate Specifications

Phase	1	Output HP	1/8, 1/10 Hp
Output KW	0.10 kW	Voltage	115 V
Speed	1050 rpm	Service Factor	1.0
Frame	42	Enclosure	Open Air Over
Thermal Protection	Automatic	Ambient Temperature	40 °C
Frequency	60 Hz	Current	5.3-3.2 A
Duty	Continuous Air Over	Insulation Class	A
UL	Recognized	CSA	Y
CE	N	Number of Speeds	2

Technical Specifications

Electrical Type	Shaded Pole	Starting Method	Across The Line
Poles	6	Rotation	Clockwise Shaft End
Mounting	Round Belly Band	Motor Orientation	Horizontal
Drive End Bearing	Sleeve	Opp Drive End Bearing	Sleeve
Frame Material	Rolled Steel	Shaft Type	Flat
Overall Length	7.46 in	Frame Length	3.17 in
Shaft Diameter	0.500 in	Shaft Extension	3.71 in
Outline Drawing	DA3G7667-S01		

This is an uncontrolled document once printed or downloaded and is subject to change without notice. Date Created:03/31/2026

4

3

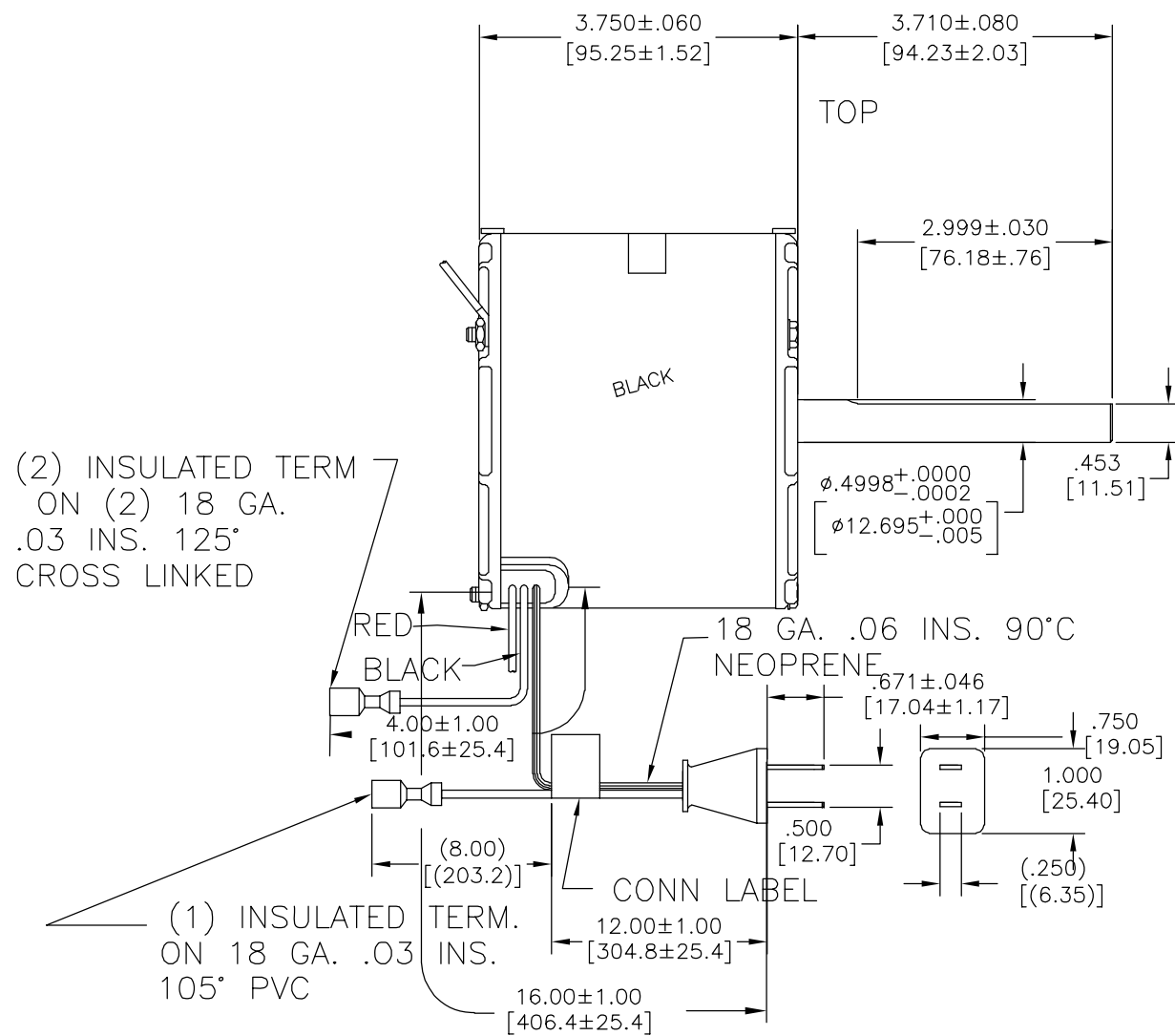
2

1

CUSTOMER IS SOLELY RESPONSIBLE FOR MOTOR PERFORMANCE AND SUITABILITY IN APPLICATIONS FOR CUSTOMER'S USES.

REV	ECO	REV BY	DATE	APPD	DATE
F	0028994	I.ORTIZ	10-16-2012	M.AVILA	10-16-2012

END PLAY .005[.13] MIN - .040[1.02] MAX
 MAX. SHAFT RUN OUT .001[.03] PER INCH
 MAX. RUN OUT NOT TO EXCEED .010[.25]



(1) RING TERMINAL FOR
 1/4 SCREW ON 16 GA. .03 INS
 105°C PVC GN/YE GROUND
 ON LE

TERM MUST
 NOT EXTEND
 PAST MOTOR
 O.D.

REMOVABLE OIL
 PLUG EACH END

(ϕ 5.004)
 [(ϕ 127.10)]

WELD
 SEAM
 REF.

VENTS
 EACH
 END

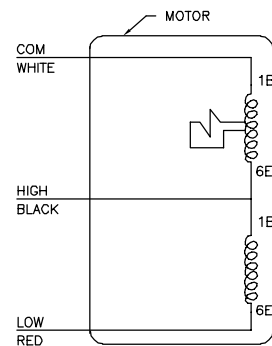
LEAD BUSHING

COLOR CODE	
HIGH	CONN. MOTOR LEAD TO BLACK LEAD
LOW	CONN. MOTOR LEAD TO RED LEAD

ELECTRICALLY PER
 NSP #1204
 EXCEPT CONST.

SCHEMATIC-276

ROT.: -CCWLE-CWSE



NAMEPLATE DATA:

Century TIPP CITY, OHIO THERMALLY PROTECTED

SER. DATE & PO# PLT LTR MOD DA3G667N# STK NO 90
 VOLTS 115 HZ 60 AMPS
 RPM 1050 SP PH1 CAP
 INS CL AMB °C HP CONT A.O. ← ROTATION ←
 BRG SLV BK-HI 5.2A 1/8HP RD-LOW 3.5A 1/10HP
 ASSEMBLED IN MEXICO

CONN LABEL
 63T283-49

GEOMETRIC CHARACTERISTICS & SYMBOLS
 ▭ FLATNESS
 — STRAIGHTNESS
 ∠ ANGULARITY
 ⊥ PERPENDICULARITY (SQUARENESS)
 // PARALLELISM
 ○ ROUNDNESS (CIRCULARITY)
 ∅ CYLINDRICITY
 △ PROFILE OF ANY SURFACE
 ∩ PROFILE OF ANY LINE
 ↗ RUNOUT
 ⊕ TRUE POSITION
 ⊙ CONCENTRICITY
 = SYMMETRY

UNLESS OTHERWISE SPECIFIED
 DIM. TOLERANCES ARE AS FOLLOWS:
 INCH X XX XXX XXXX
 ±.1 ±.02 ±.005 ±.0005
 mm ±0.5 ±0.13 ±0.013
 ANG. ±.50 DEG
 REMOVE BURRS & BREAK SHARP EDGES:
 INCH .003-.015 mm 0.1-0.4
 CORNER FILLETS TO:
 INCH .020 mm 0.5
 MACHINE SURFACES:
 INCH 125 mm 3.2

DR BY: DLC 10-16-1998
 APPD: TLB 10-16-1998
 THIRD ANGLE PROJECTION
 EDS DATE 11-11-2011
 FORMAT REV H
 CONFIDENTIAL: THIS DRAWING AND ITS INFORMATION ARE THE EXCLUSIVE AND CONFIDENTIAL PROPERTY OF REGAL-BELOIT CORPORATION AND ARE NOT TO BE DISCLOSED, DUPLICATED, DISTRIBUTED OR OTHERWISE USED WITHOUT THE WRITTEN CONSENT OF REGAL-BELOIT CORPORATION. -ALL RIGHTS RESERVED.

REGAL REGAL-BELOIT CORPORATION

DESCRIPTION
 MODEL-RFHP-42FR
 OUTLINE
 SIZE C DWG NO DA3G7667
 SCALE NONE SHEET 1

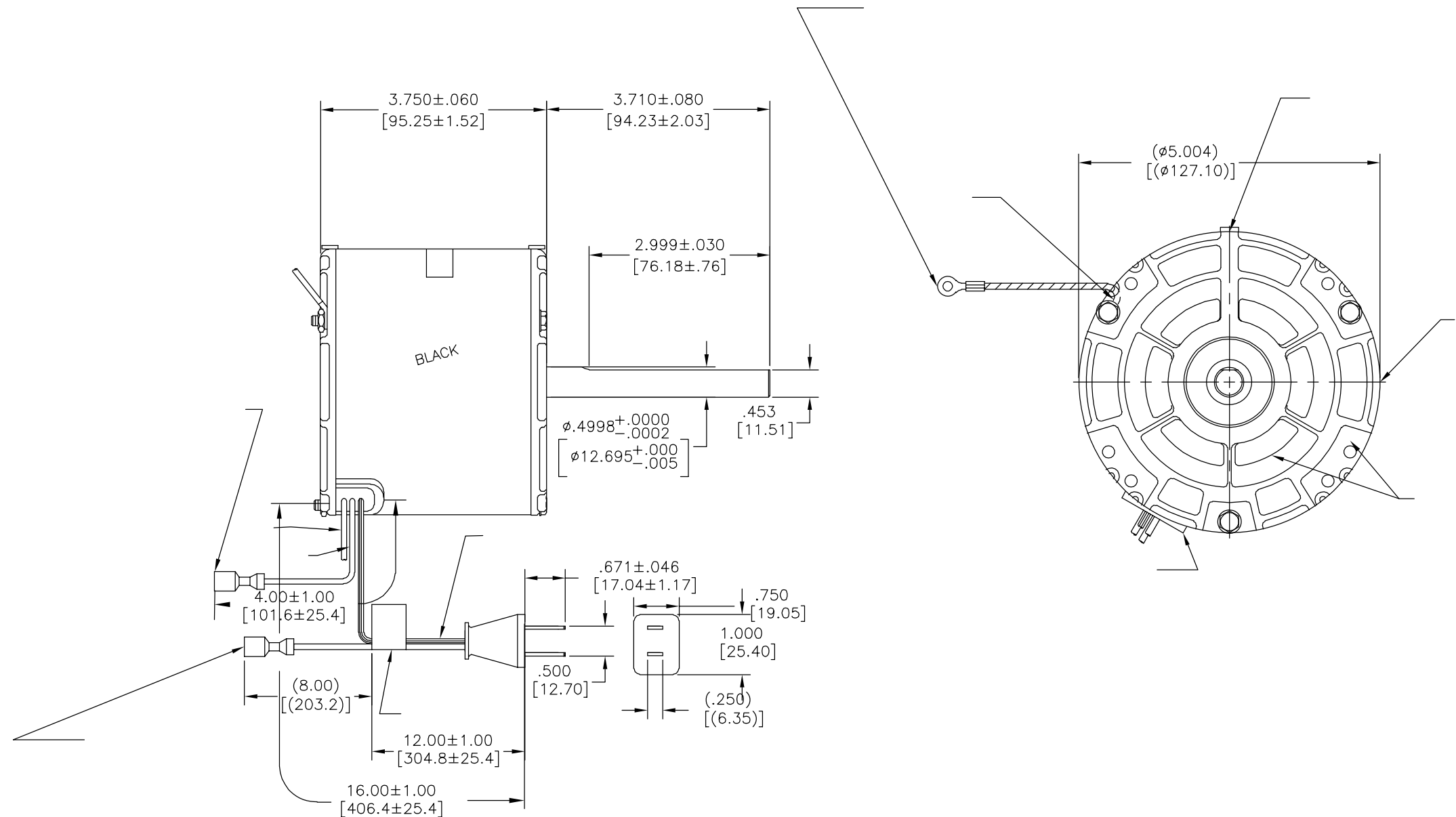
4

3

2

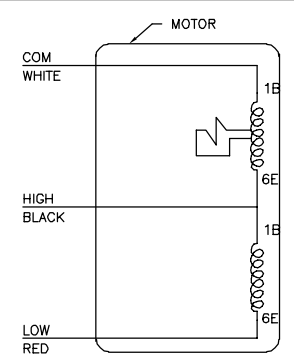
1

REVISION:	ECO	REVISADO POR:	FECHA:	APROBADO POR:	FECHA:
F	0028994	I.ORTIZ	10-16-2012	M.AVILA	10-16-2012



SCHEMATIC-276

ROT.: -CCWLE-CWSE



NAMEPLATE DATA:

Century TIPP CITY, OHIO THERMALLY PROTECTED

SER. DATE & PO# P/LTR MOD DA3G667N# STK NO 90
 VOLTS 115 HZ 60 AMPS
 RPM 1050 SP PH1 CAP
 INS CL AMB °C HP CONT A.O. ← ROTATION ←
 BRG SLV BK-HI 5.2A 1/8HP RD-LOW 3.5A 1/10HP
 ASSEMBLED IN MEXICO

CONN LABEL
63T283-49

- CARACTERISTICAS DE GEOMETRIA Y SIMBOLOS
- ▧ PLANICIDAD
 - RECTITUD
 - ∠ ANGULARIDAD
 - ⊥ PERPENDICULARIDAD (A ESCUADRA)
 - // PARALELISMO
 - REDONDEZ (CIRCULARIDAD)
 - ⊘ CILINDRICIDAD
 - △ PERFIL DE CUALQUIER SUPERFICIE
 - ∧ PERFIL DE CUALQUIER LINEA
 - ∩ VARIACION
 - ⊕ POSICION REAL
 - ⊙ CONCENTRICIDAD
 - = SIMETRIA
- ASME Y14.5M 1994

A MENOS QUE SE ESPECIFIQUE DE OTRA MANERA, LAS TOLERANCIAS DE LAS DIMS; SON LAS SIGUIENTES:

PULG ±.1 ±.02 ±.005 ±.0005
 mm ±0.5 ±0.13 ±0.013

ANG. ± 50 GRADOS

ELIMINAR REBABAS Y ORILLAS FILOSAS DEL BORDE.

PULG .003-.015 mm 0.1-0.4

FILETEAR ESQUINA: PULG .020 mm 0.5

MAQUINAR SUPERFICIES

PULG 125 mm 3.2

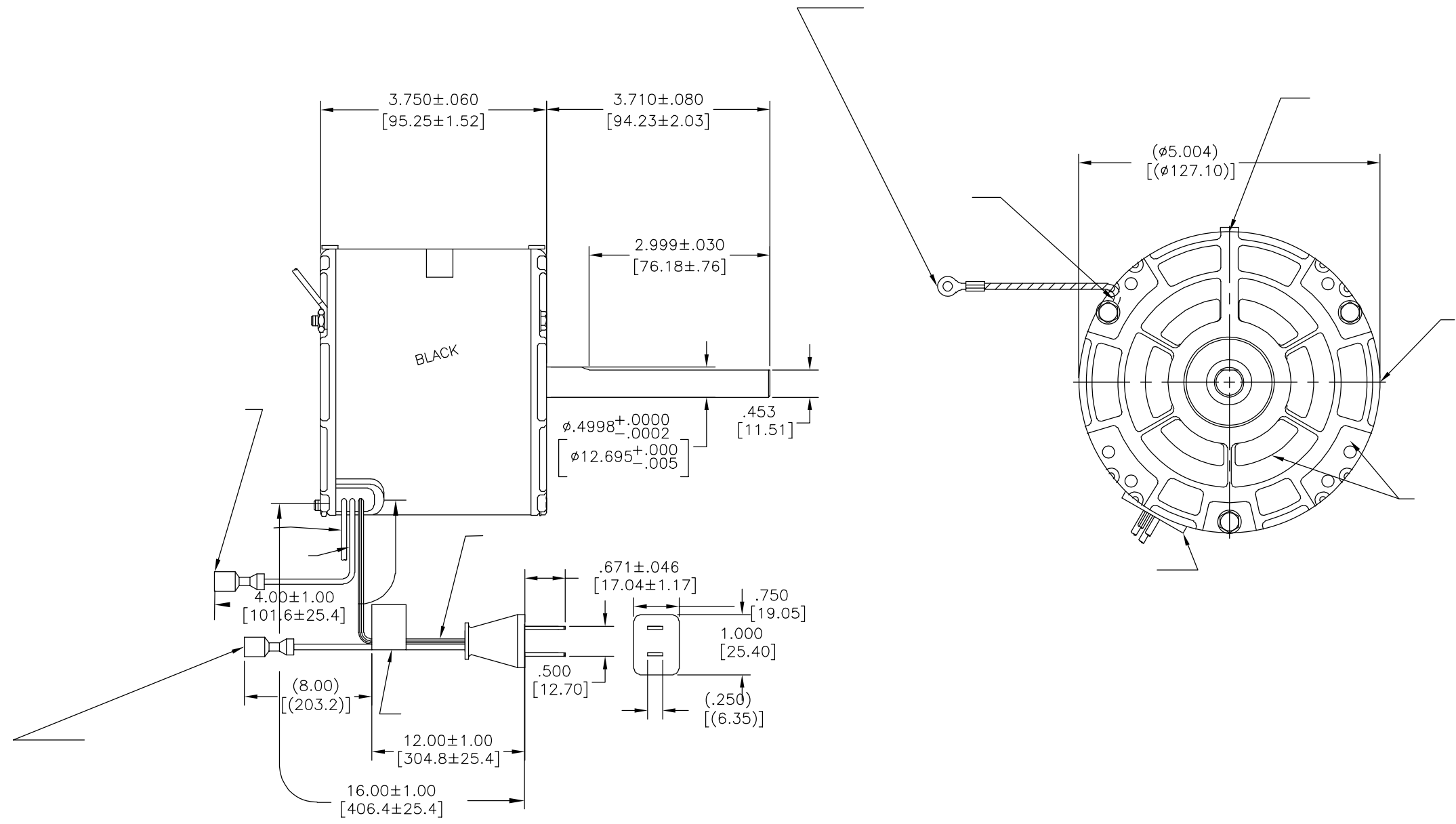
DIMS METRICAS MOSTRADAS [PARENTESIS]

DIBUJADO POR:	DLC	10-16-1998
APROBADO POR:	TLB	10-16-1998
TERCER ANGULO DE PROYECCION	⊕	FECHA EDS: 11-11-2011 REV. FORMATO: H
CONFIDENCIAL: ESTE DIBUJO Y SU INFORMACION SON PROPIEDAD DE USO EXCLUSIVO Y CONFIDENCIAL DE REGAL-BELOIT CORPORATION. Y NO DEBERAN SER REVELADOS, DUPLICADOS, DISTRIBUIDOS O USARSE DE OTRA MANERA SIN EL CONSENTIMIENTO ESCRITO DE REGAL-BELOIT CORPORATION. -TODOS LOS DERECHOS RESERVADOS.		



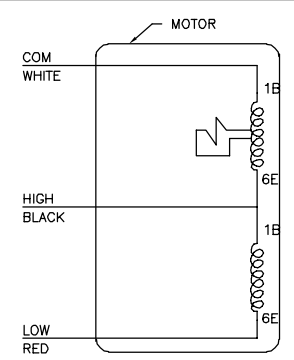
DESCRIPCION:		MODEL-RFHP-42FR OUTLINE
TAMAÑO:	C	NUMERO DE DIBUJO: DA3G7667
ESCALA:	NONE	HOJA: 1

版本	ECO	编制	日期	批准	日期
F	0028994	I.ORTIZ	10-16-2012	M.AVILA	10-16-2012



SCHEMATIC-276

ROT.: -CCWLE-CWSE



NAMEPLATE DATA:

Century TIPP CITY, OHIO THERMALLY PROTECTED

SER. DATE & PO# PLT LTR MOD DA3G667N# STK NO 90
 VOLTS 115 HZ 60 AMPS
 RPM 1050 SP PH1 CAP
 INS CL AMB °C HP CONT A.O. ← ROTATION ←
 BRG SLV BK-HI 5.2A 1/8HP RD-LOW 3.5A 1/10HP
 ASSEMBLED IN MEXICO

CONN LABEL
63T283-49

- 形位公差
- 平面度
- 直线度
- ∠ 倾斜度
- ⊥ 垂直度
- // 平行度
- 圆度
- ⊘ 圆柱度
- ∆ 面轮廓度
- ∩ 线轮廓度
- ↻ 圆跳动
- ⊕ 位置度
- ⊙ 同轴度
- ≡ 对称度

ASME Y14.5M 1994

除另有注明
尺寸公差如下:
 英寸 X XX XXX XXXX
 ±.1 ±.02 ±.005 ±.0005
 毫米 ±0.5 ±0.13 ±0.013
 角度 ±.50 度
 清理毛刺和尖棱
 英寸 .003-.015 毫米 0.1-0.4
 内圆角
 英寸 .020 毫米 0.5
 表面粗糙度
 英制 125 米制 3.2
 米制尺寸显示在 []

绘图: DLC 10-16-1998
 批准: TLB 10-16-1998
 第三角投影
 图纸格式发布日期 11-11-2011
 图纸格式版本 H
 机密: 本图纸及相关信息所有权归REGAL-BELOIT CORPORATION
 未经REGAL-BELOIT CORPORATION书面授权, 不得泄露、
 复制、传播或作其他用途。—版权所有

REGAL REGAL-BELOIT CORPORATION

名称: MODEL-RFHP-42FR
OUTLINE
 图幅: C 图号: DA3G7667
 比例: NONE 页号: 1