

PRODUCT INFORMATION PACKET



Model No: 914L
Catalog No: 914L
OEM Replacement Motor, 1/4 HP, 1 Ph, 60 Hz, 115 V, 1800 RPM, 48 Frame, ODP



Regal and Century are trademarks of Regal Rexnord Corporation or one of its affiliated companies.
©2023 Regal Rexnord Corporation, All Rights Reserved. MC017097E





Nameplate Specifications

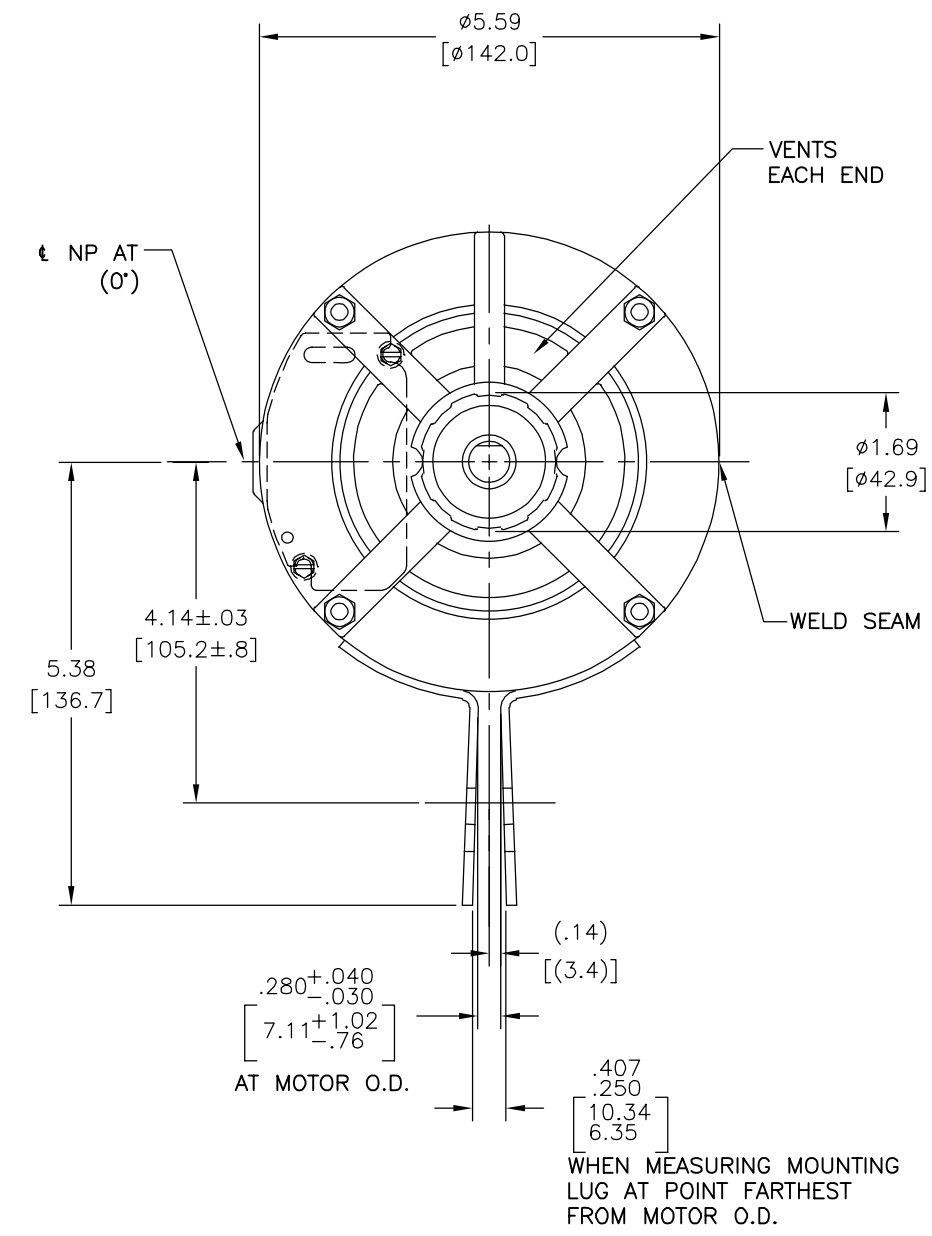
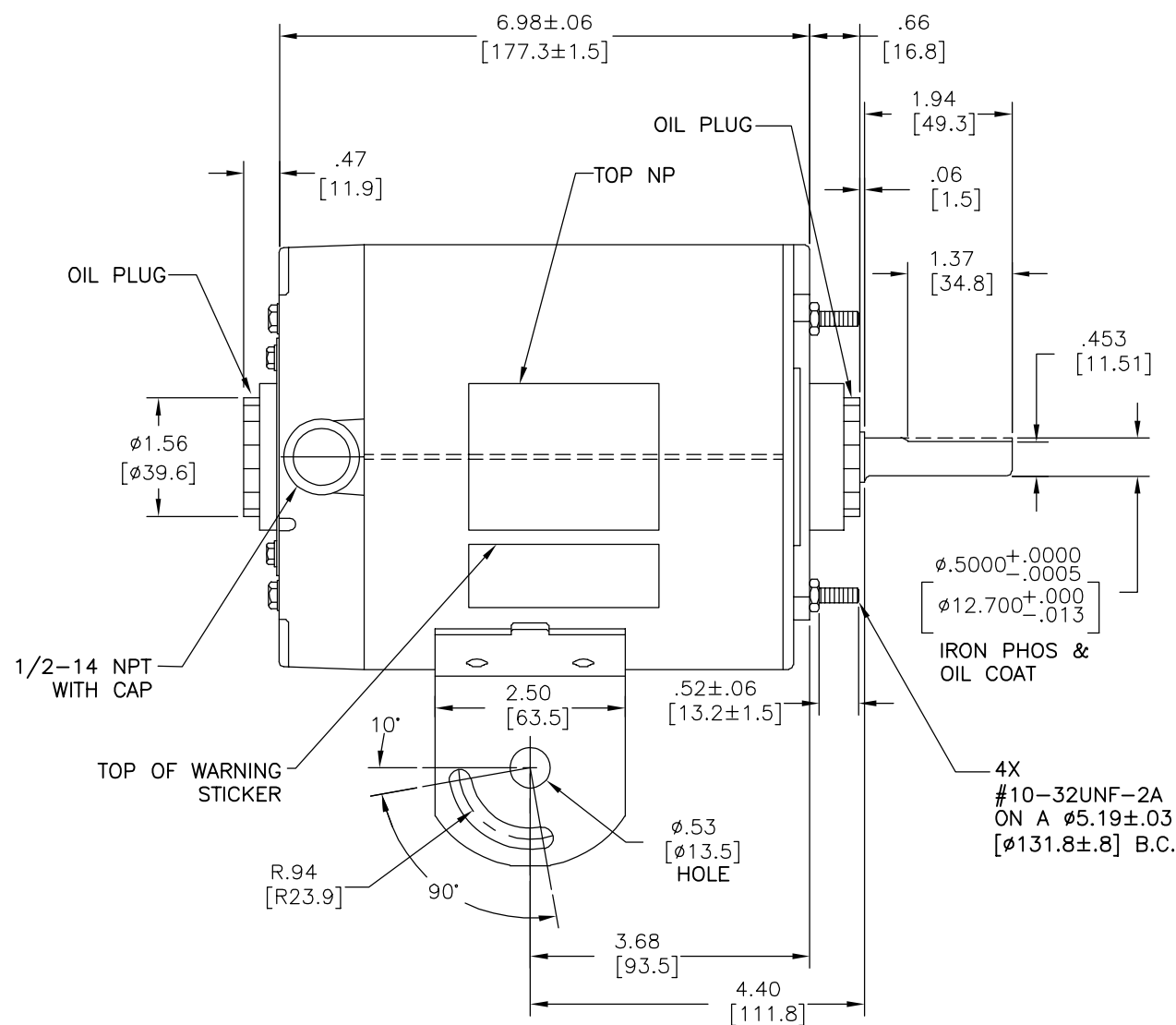
Phase	1	Output HP	1/4 Hp
Output KW	0.19 kW	Voltage	115 V
Speed	1725 rpm	Service Factor	1
Frame	48	Enclosure	Open Drip Proof
Thermal Protection	Automatic	Ambient Temperature	40 °C
Frequency	60 Hz	Current	5.1 A
Duty	Continuous	Insulation Class	B
UL	Recognized	CSA	Y
CE	N	Number of Speeds	1

Technical Specifications

Electrical Type	Split Phase	Starting Method	Across The Line
Poles	4	Rotation	Reversible
Mounting	Special	Drive End Bearing	Sleeve
Opp Drive End Bearing	Sleeve	Frame Material	Rolled Steel
Shaft Type	Flat	Overall Length	10.05 in
Frame Length	5.63 in	Shaft Diameter	0.500 in
Shaft Extension	1.94 in		
Connection Drawing	621417-001A	Outline Drawing	914L-S01

This is an uncontrolled document once printed or downloaded and is subject to change without notice. Date Created:11/28/2023

REV	ECO	REV BY	DATE	APPD	DATE
C	0025340	D.ZHANG	04-16-2012	B.SHEN	04-16-2012



- SHIP WITH MOTOR:
 1. KIT SEPARATE 10013901
 2. MOTOR CONNECTED FOR CCWLE ROTATING
 3. ALL DIMENSIONS ARE REFERENCE UNLESS OTHERWISE NOTED

GEOMETRIC CHARACTERISTICS & SYMBOLS

- FLATNESS
- STRAIGHTNESS
- ∠ ANGULARITY
- ⊥ PERPENDICULARITY (SQUARENESS)
- ∥ PARALLELISM
- ROUNDNESS (CIRCULARITY)
- ⊘ CYLINDRICITY
- △ PROFILE OF ANY SURFACE
- ∩ PROFILE OF ANY LINE
- ↗ RUNOUT
- ⊕ TRUE POSITION
- ◎ CONCENTRICITY
- ≡ SYMMETRY

ASME Y14.5M 1994

UNLESS OTHERWISE SPECIFIED DIM. TOLERANCES ARE AS FOLLOWS:

INCH	±.1	±.02	±.005	±.0005
mm	±0.5	±0.13	±0.013	

ANG. ±.50 DEG
 REMOVE BURRS & BREAK SHARP EDGES:
 INCH .003-.015 mm 0.1-0.4
 CORNER FILLETS TO:
 INCH .020 mm 0.5
 MACHINE SURFACES:
 INCH 125 mm 3.2

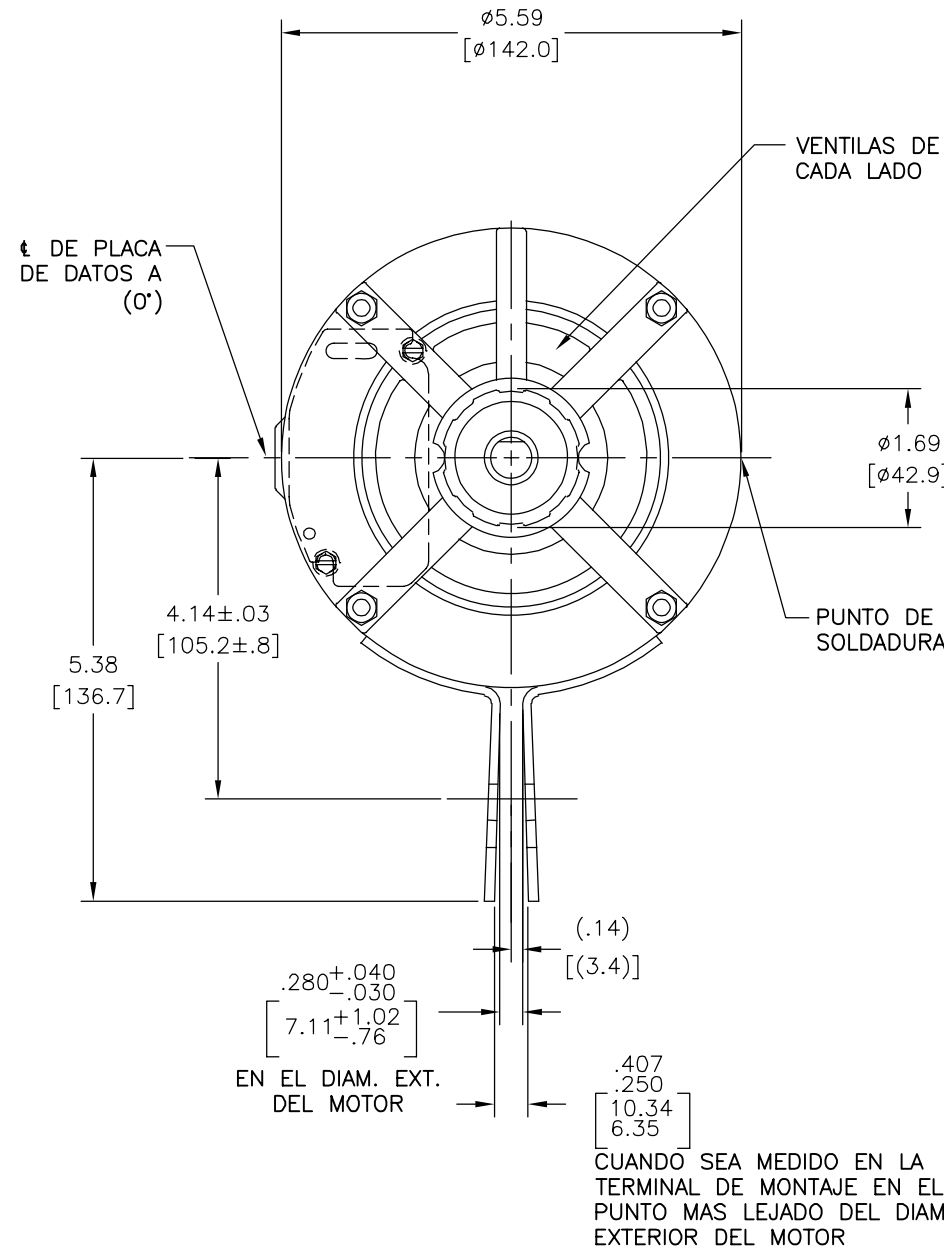
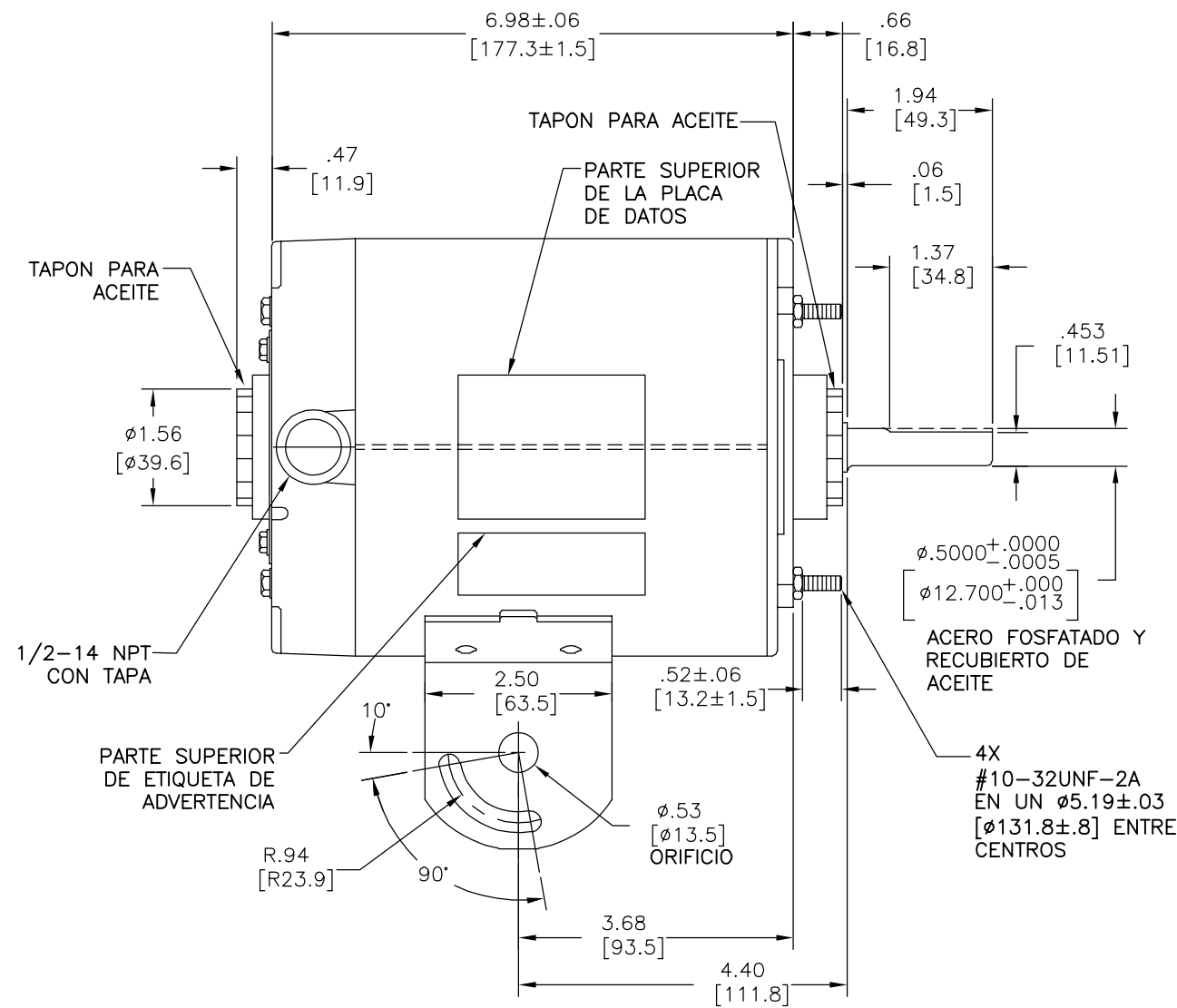
METRIC DIMS. SHOWN IN [BRACKETS]

DR BY:	KG	12-31-2008
APPD:	SH	12-31-2008
THIRD ANGLE PROJECTION	EDS DATE	11-11-2011
	FORMAT REV	G

CONFIDENTIAL: THIS DRAWING AND ITS INFORMATION ARE THE EXCLUSIVE AND CONFIDENTIAL PROPERTY OF REGAL-BELOIT CORPORATION AND ARE NOT TO BE DISCLOSED, DUPLICATED, DISTRIBUTED OR OTHERWISE USED WITHOUT THE WRITTEN CONSENT OF REGAL-BELOIT CORPORATION. -ALL RIGHTS RESERVED.

DESCRIPTION	
OUTLINE	
SIZE	DWG NO
C	914L
SCALE	SHEET
NONE	1

REVISION:	ECO	REVISADO POR:	FECHA:	APROBADO POR:	FECHA:
C	0025340	D.ZHANG	04-16-2012	B.SHEN	04-16-2012



- ENVIAR CON EL MOTOR:
1. CONJUNTO DE PARTES SEPARADAS 10013901
 2. MOTOR CONECTADO PARA ROTACION CCWLE.
 3. TODAS LAS DIMENSIONES SON DE REFERENCIA A MENOS QUE SE ESPECIFIQUE OTRA COSA.

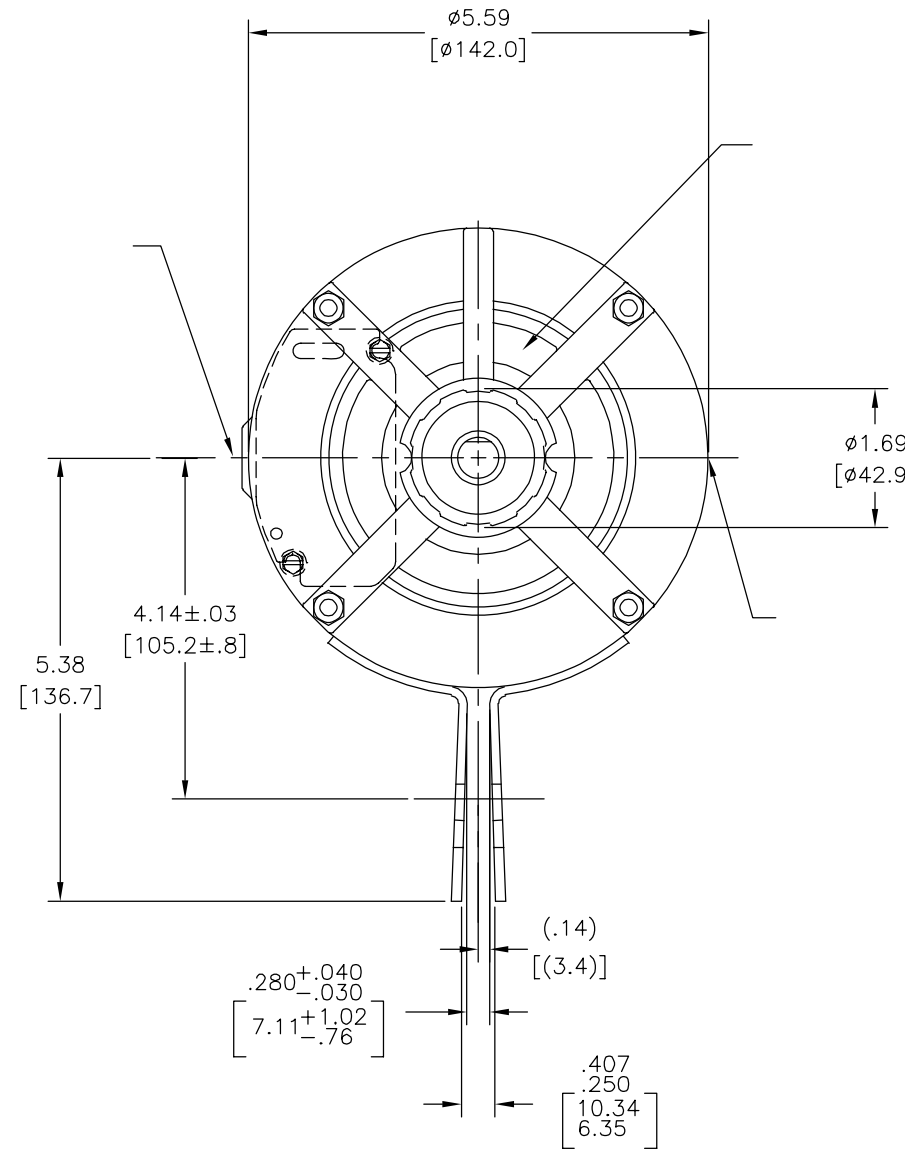
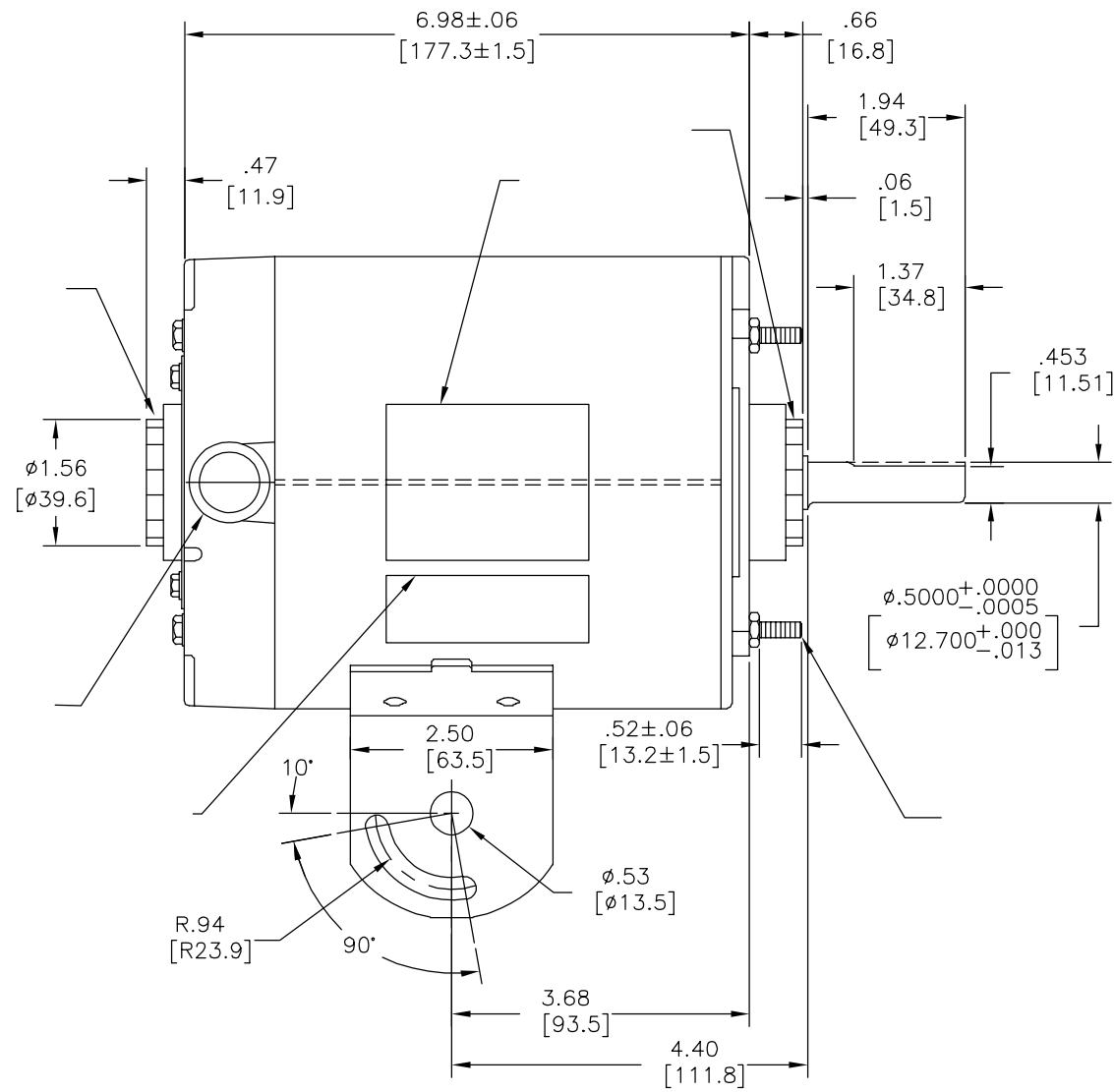
CARACTERISTICAS DE GEOMETRIA Y SIMBOLOS	
▧	PLANICIDAD
-	RECTITUD
<	ANGULARIDAD
⊥	PERPENDICULARIDAD (A ESQUADRA)
//	PARALELISMO
○	REDONDEZ (CIRCULARIDAD)
∅	CILINDRICIDAD
△	PERFIL DE CUALQUIER SUPERFICIE
∧	PERFIL DE CUALQUIER LINEA
∠	VARIACION
⊕	POSICION REAL
◎	CONCENTRICIDAD
≡	SIMETRIA

A MENOS QUE SE ESPECIFIQUE DE OTRA MANERA, LAS TOLERANCIAS DE LAS DIMS; SON LAS SIGUIENTES:	
PULG	±.1 ±.02 ±.005 ±.0005
mm	±0.5 ±0.13 ±0.013
ANG.	±.50 GRADOS
ELIMINAR REBABAS Y ORILLAS FILOSAS DEL BORDE.	
PULG	.003-.015 mm 0.1-0.4
FILETEAR ESQUINA: PULG .020 mm 0.5	
MAQUINAR SUPERFICIES	
PULG	125 mm 3.2
DIMS METRICAS MOSTRADAS [PARENTESIS]	

DIBUJADO POR:	KG	12-31-2008
APROBADO POR:	SH	12-31-2008
TERCER ANGULO DE PROYECCION	⊕	FECHA EDS: 11-11-2011
		REV. FORMATO: G
CONFIDENCIAL: ESTE DIBUJO Y SU INFORMACION SON PROPIEDAD DE USO EXCLUSIVO Y CONFIDENCIAL DE REGAL-BELOIT CORPORATION. Y NO DEBERAN SER REVELADOS, DUPLICADOS, DISTRIBUIDOS O USARSE DE OTRA MANERA SIN EL CONSENTIMIENTO ESCRITO DE REGAL-BELOIT CORPORATION. -TODOS LOS DERECHOS RESERVADOS.		

DESCRIPCION: OUTLINE	
TAMAÑO: C	NUMERO DE DIBUJO: 914L
ESCALA: NONE	HOJA: 1

版本	ECO	编制	日期	批准	日期
C	0025340	D.ZHANG	04-16-2012	B.SHEN	04-16-2012



形位公差	除另有注明
□ 平面度	尺寸公差如下:
— 直线度	英寸 X XX XXX XXXX
∠ 倾斜度	英寸 ±.1 ±.02 ±.005 ±.0005
⊥ 垂直度	毫米 ±0.5 ±0.13 ±0.013
// 平行度	角度 ±.50 度
○ 圆度	清理毛刺和尖棱
⊘ 圆柱度	英寸 .003-.015 毫米 0.1-0.4
△ 面轮廓度	内圆角
∩ 线轮廓度	英寸 .020 毫米 0.5
⌒ 圆跳动	表面粗糙度
⊕ 位置度	英制 125 米制 3.2
⊙ 同轴度	米制尺寸显示在 []
≡ 对称度	

ASME Y14.5M 1994

绘图:	KG	12-31-2008
批准:	SH	12-31-2008
第三角投影		图纸格式发布日期 11-11-2011 图纸格式版本 G
机密: 本图纸及相关信息所有权归REGAL-BELOIT CORPORATION. 未经REGAL-BELOIT CORPORATION书面授权, 不得泄露、复制、传播或作其他用途。—版权所有		

名称 OUTLINE	
图幅 C	图号 914L
比例 NONE	页号 1