

PRODUCT INFORMATION PACKET



Model No: 9200
Catalog No: 9200
50 WATT Refrigeration Motor, 1500 RPM, 208-230 Volts, Unit Bearing,TEAO



Regal and Century are trademarks of Regal Rexnord Corporation or one of its affiliated companies.
©2022 Regal Rexnord Corporation, All Rights Reserved. MC017097E





Nameplate Specifications

| | | | |
|---------------------|----------------------------------|--------------------|----------------------------|
| Output Watts | 50 W | Frequency | 60 Hz |
| Voltage | 208-230 V | Current | 1.20 A |
| Speed | 1500 rpm | Service Factor | 1 |
| Phase | 1 | Duty | Continuous |
| Insulation Class | A | Frame | UNIT BEARING |
| Enclosure | Totally Enclosed Air Over | Thermal Protection | Thermally Protected |
| Ambient Temperature | 40 °C | UL | Recognized |
| CSA | Y | CE | N |
| Number of Speeds | 1 | | |

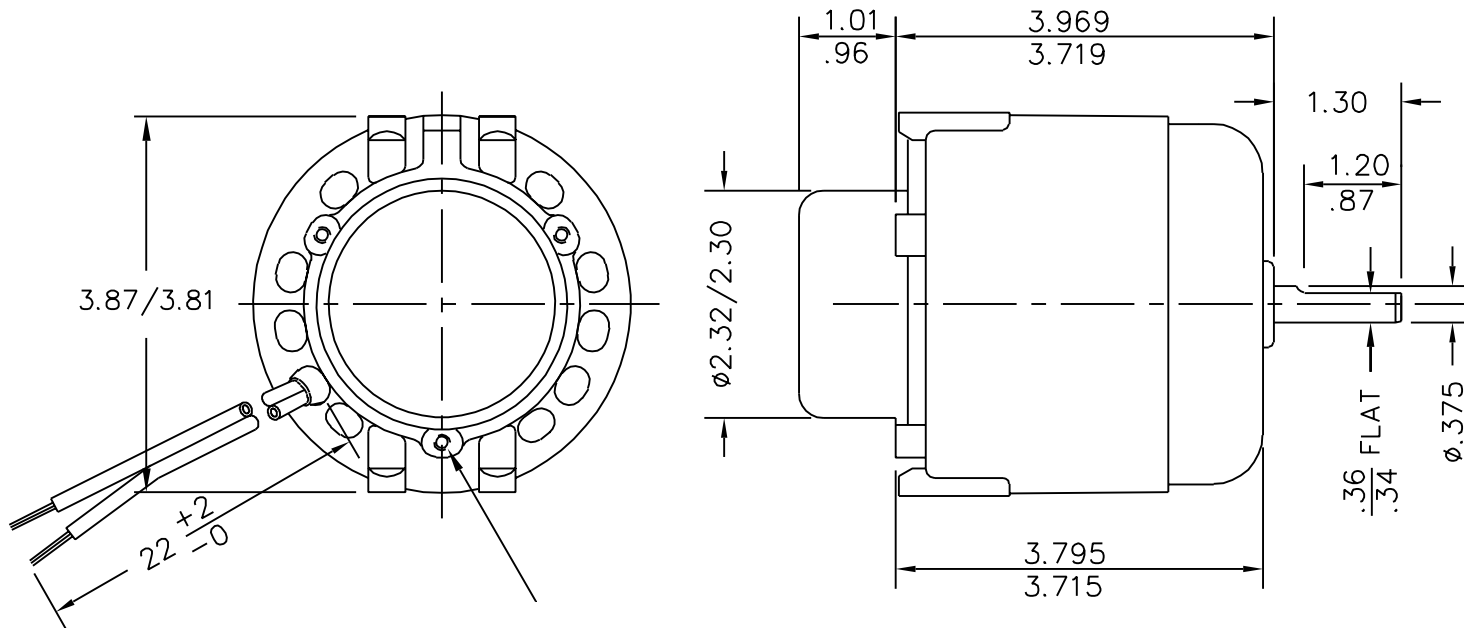
Technical Specifications

| | | | |
|-----------------------|---------------------------|-------------------|---------------------------|
| Electrical Type | Shaded Pole | Starting Method | Across The Line |
| Poles | 4 | Rotation | Clockwise Lead End |
| Mounting | 2 BOSS/OSE 3 HOLES | Drive End Bearing | Unit |
| Opp Drive End Bearing | Unit | Frame Material | Cast Iron |
| Shaft Type | Threaded | Frame Length | 5.19 in |
| Shaft Diameter | 1/4x20 in | Shaft Extension | 0.4 in |
| Outline Drawing | 9200-S01 | | |

This is an uncontrolled document once printed or downloaded and is subject to change without notice. Date Created:11/29/2022

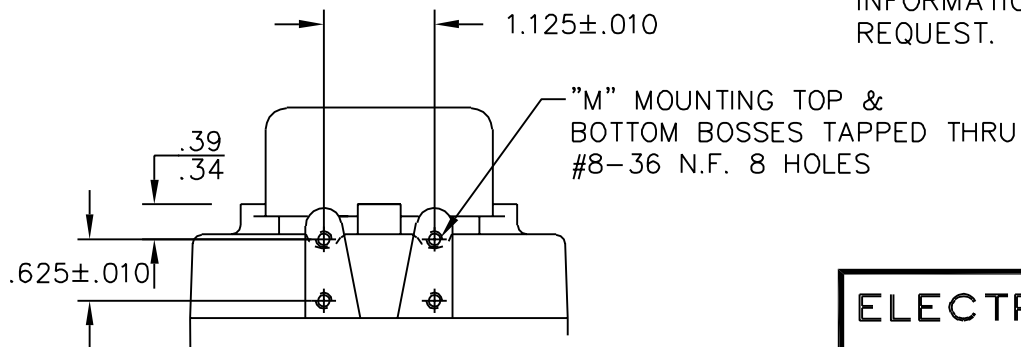
NO. A-23935

| NO. | REVISIONS | DATE AND SIGNATURE |
|-----|------------------------|--------------------|
| 1 | ADDED 208-230 NOTE | 1-26-98 |
| 2 | LEAD WAS (2) #10 'S | 7-6-98 |
| 3 | CUST NAME WAS MAGNETEK | 6-7-02 |



3 #8-36 TAPPED HOLES
SPACED 120° APART ON A
2.813 DIA. CENTER LINE.

OUTLINE DIMENSIONS ON WHICH NO LIMIT IS SPECIFIED ARE
NOMINAL AND NOT GUARANTEED AS TO TOLERANCE. ADDITIONAL
INFORMATION ON TOLERANCE WILL BE FURNISHED ON SPECIFIC
REQUEST.



TOLERANCE
.0000=±.0002 .000=±.005
.00=±.010 FRACTION=±1/64
0°=±30' 0'0°=±5' 0'0'0°=REF. ONLY
ABOVE TOLERANCES APPLY UNLESS
OTHERWISE SPECIFIED TOLERANCES
ARE NOT ACCUMULATIVE.

ELECTRIC MOTORS AND SPECIALTIES INC.

208-230V 60HZ CW GARRETT, INDIANA 46738

| | | | |
|--|------------------|---------------------------|---------------------|
| FIRST MADE FOR ESP-OL60EM2 A.O. SMITH | | MATERIAL CUST NO. 9200 | |
| DRAWN BY JIM NICHTER | DATE 12-03-97 | SCALE 1/2 SIZE | APPROVED BY DATE |
| TITLE MOTOR OUTLINE | | | NO. A-23935 |