

PRODUCT INFORMATION PACKET



Model No: 9211
Catalog No: 9211
13 WATT Refrigeration Motor, 1725 RPM, 115 Volts, Unit Bearing,TEAO



Regal and Century are trademarks of Regal Rexnord Corporation or one of its affiliated companies.
©2022 Regal Rexnord Corporation, All Rights Reserved. MC017097E





Nameplate Specifications

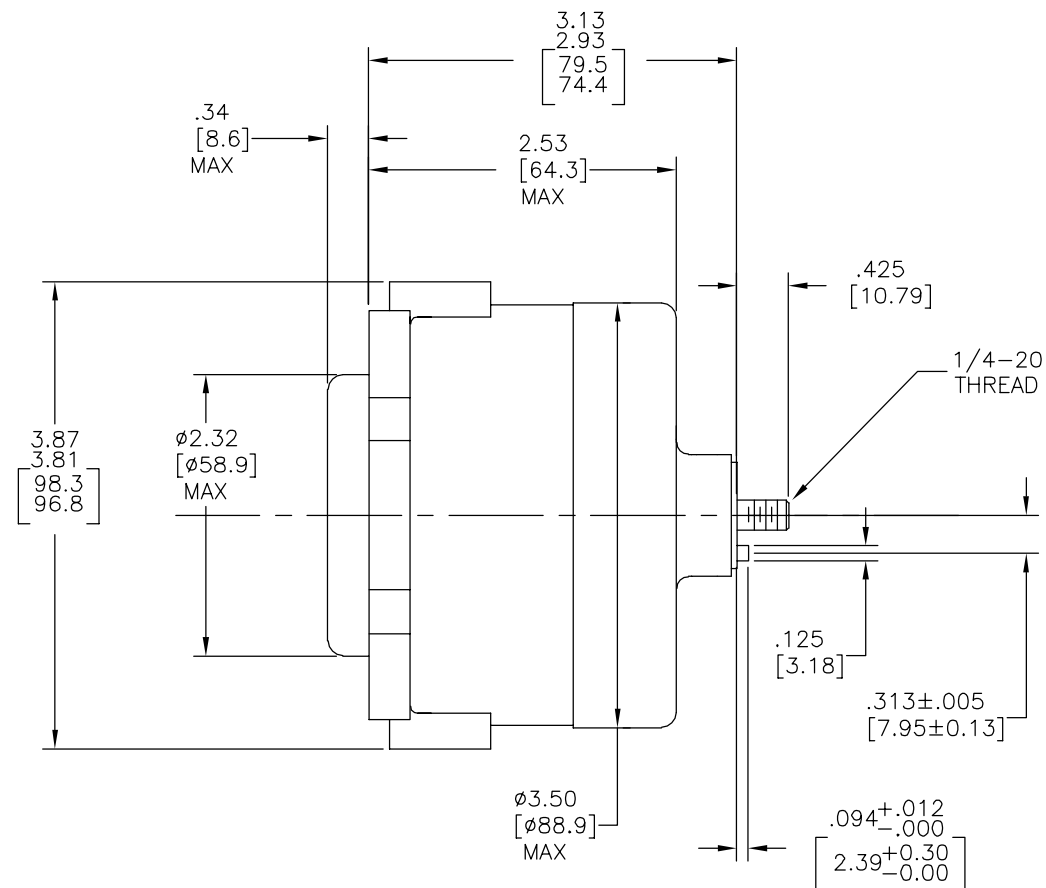
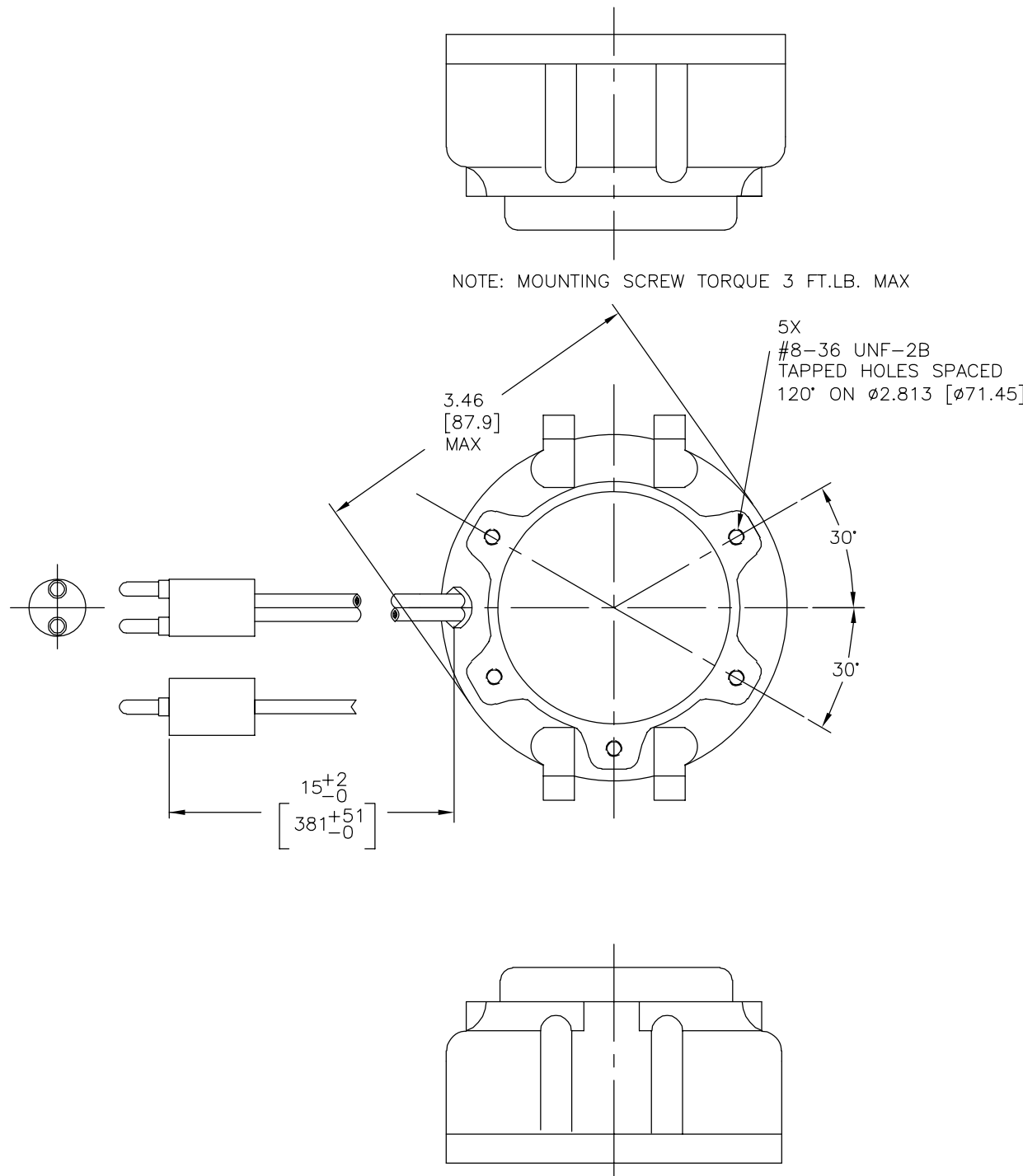
Output Watts	13 W	Frequency	60 Hz
Voltage	115 V	Current	0.3 A
Speed	1725 rpm	Service Factor	1
Phase	1	Duty	Continuous
Insulation Class	A	Frame	UNIT BEARING
Enclosure	Totally Enclosed Air Over	Thermal Protection	Automatic
Ambient Temperature	40 °C	UL	Recognized
CSA	Y	CE	N
Number of Speeds	1		

Technical Specifications

Electrical Type	Electronically Commutated Motor	Starting Method	Across The Line
Poles	4	Rotation	Clockwise Lead End
Mounting	2 BOSS/OSE 5 HOLES	Drive End Bearing	Unit
Opp Drive End Bearing	Unit	Frame Material	Cast Iron
Shaft Type	Threaded	Frame Length	3.13 in
Shaft Diameter	1/4x20 in	Shaft Extension	0.42 in
Outline Drawing	9211-S01		

This is an uncontrolled document once printed or downloaded and is subject to change without notice. Date Created:11/29/2022

REV	ECO	REV BY	DATE	APPD	DATE
C	0025432	O. CARVAJAL	04-16-2012	D. BALDERRAMA	04-16-2012



NOTE:
 OUTLINE DIMENSIONS FOR WHICH NO LIMIT IS SPECIFIED ARE NOMINAL AND NOT GUARANTEED AS TO TOLERANCE. ADDITIONAL INFORMATION ON TOLERANCES WILL BE FURNISHED ON SPECIFIC REQUEST.

GEOMETRIC CHARACTERISTICS & SYMBOLS

- ▭ FLATNESS
- STRAIGHTNESS
- ∠ ANGULARITY
- ⊥ PERPENDICULARITY (SQUARENESS)
- // PARALLELISM
- ROUNDNESS (CIRCULARITY)
- ⊘ CYLINDRICITY
- △ PROFILE OF ANY SURFACE
- ∩ PROFILE OF ANY LINE
- ↗ RUNOUT
- ⊕ TRUE POSITION
- ◎ CONCENTRICITY
- ≡ SYMMETRY

ASME Y14.5M 1994

UNLESS OTHERWISE SPECIFIED DIM. TOLERANCES ARE AS FOLLOWS:

INCH	±.1	±.02	±.005	±.0005
mm	±0.5	±0.13	±0.013	

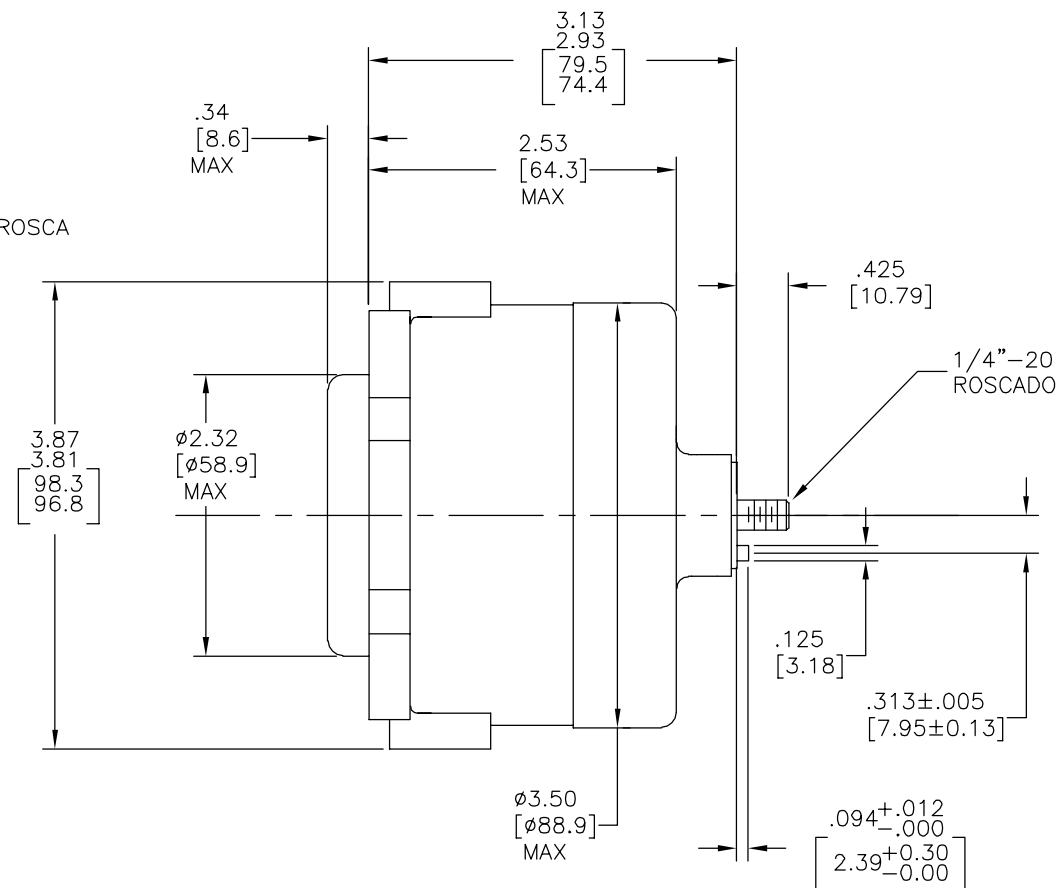
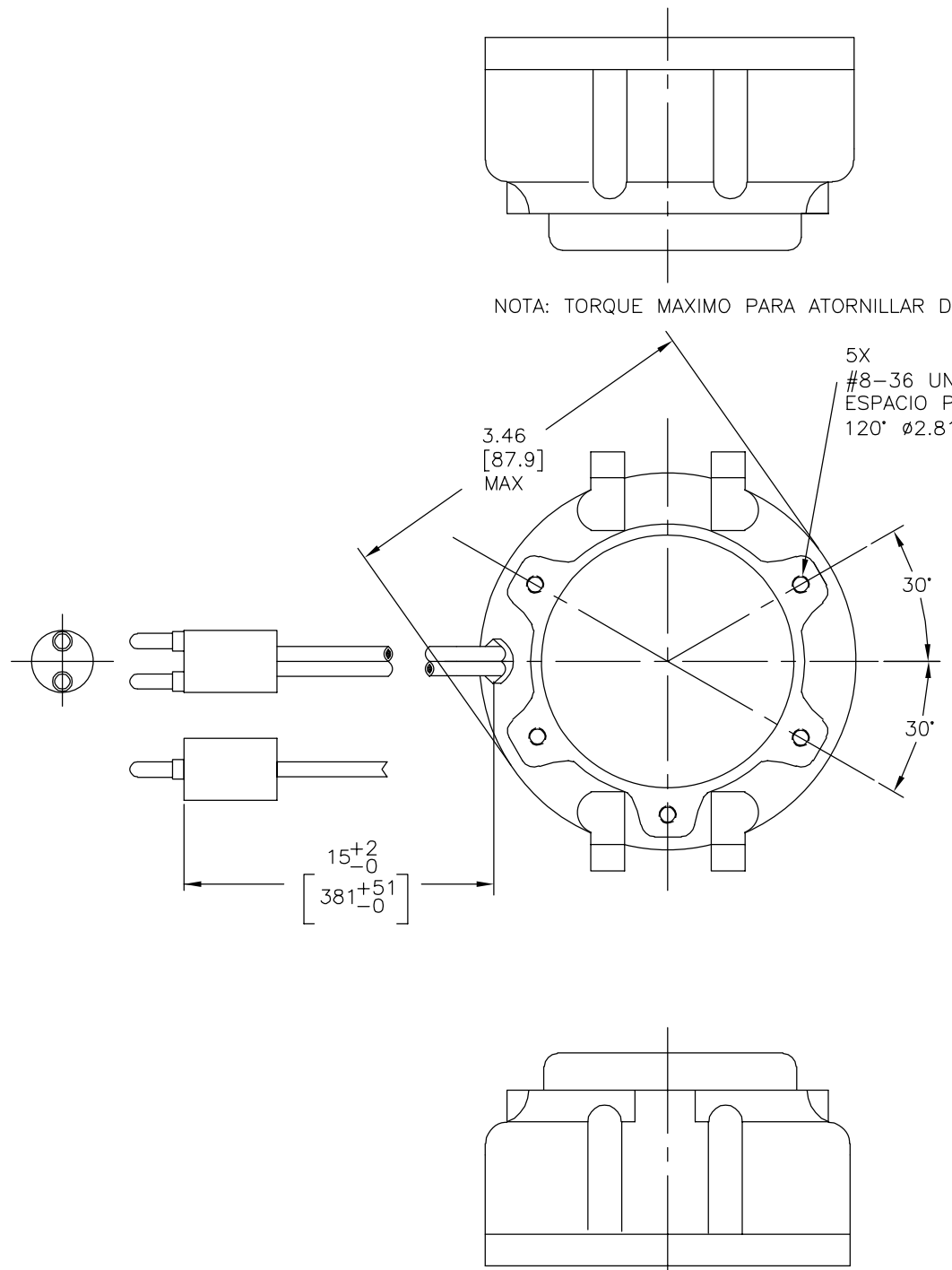
ANG. ±.50 DEG
 REMOVE BURRS & BREAK SHARP EDGES:
 INCH .003-.015 mm 0.1-0.4
 CORNER FILLETS TO:
 INCH .020 mm 0.5
 MACHINE SURFACES:
 INCH 125 mm 3.2

METRIC DIMS. SHOWN IN [BRACKETS]

DR BY:	J. NICTER	01-18-2010
APPD:		
THIRD ANGLE PROJECTION		EDS DATE 11-11-2011 FORMAT REV G
CONFIDENTIAL: THIS DRAWING AND ITS INFORMATION ARE THE EXCLUSIVE AND CONFIDENTIAL PROPERTY OF REGAL-BELOIT CORPORATION AND ARE NOT TO BE DISCLOSED, DUPLICATED, DISTRIBUTED OR OTHERWISE USED WITHOUT THE WRITTEN CONSENT OF REGAL-BELOIT CORPORATION. -ALL RIGHTS RESERVED.		

DESCRIPTION OUTLINE	
SIZE C	DWG NO 9211
SCALE NONE	SHEET 1

REVISION:	ECO	REVISADO POR:	FECHA:	APROBADO POR:	FECHA:
C	0025432	O. CARVAJAL	04-16-2012	D. BALDERRAMA	04-16-2012



NOTA:
LAS DIMENSIONES DEL ENSAMBLE LAS CUALES NO SE ENCUENTRAN ESPECIFICADAS SON NOMINALES Y NO GARANTIZADAS COMO TOLERANCIA. INFORMACION ADICIONAL SOBRE TOLERANCIAS SERA SUMINISTRADO SOBRE PEDIDO ESPECIFICO.

CARACTERISTICAS DE GEOMETRIA Y SIMBOLOS ▽ PLANICIDAD - RECTITUD < ANGULARIDAD ⊥ PERPENDICULARIDAD (A ESCUADRA) // PARALELISMO ○ REDONDEZ (CIRCULARIDAD) ∅ CILINDRICIDAD △ PERFIL DE CUALQUIER SUPERFICIE ∩ PERFIL DE CUALQUIER LINEA ↗ VARIACION ⊕ POSICION REAL ⊙ CONCENTRICIDAD = SIMETRIA	A MENOS QUE SE ESPECIFIQUE DE OTRA MANERA, LAS TOLERANCIAS DE LAS DIMS; SON LAS SIGUIENTES: PULG ±.1 ±.02 ±.005 ±.0005 mm ±0.5 ±0.13 ±0.013 ANG. ± 50 GRADOS ELIMINAR REBABAS Y ORILLAS FILOSAS DEL BORDE. PULG .003-.015 mm 0.1-0.4 FILETEAR ESQUINA: PULG .020 mm 0.5 MAQUINAR SUPERFICIES PULG 125 mm 3.2 DIMS METRICAS MOSTRADAS [PARENTESIS]	DIBUJADO POR: J. NICHTER	01-18-2010	DESCRIPCION: OUTLINE	
		APROBADO POR:			TERCER ANGULO DE PROYECCION FECHA EDS: 11-11-2011 REV. FORMATO: G
ASME Y14.5M 1994		CONFIDENCIAL: ESTE DIBUJO Y SU INFORMACION SON PROPIEDAD DE USO EXCLUSIVO Y CONFIDENCIAL DE REGAL-BELOIT CORPORATION. Y NO DEBERAN SER REVELADOS, DUPLICADOS, DISTRIBUIDOS O USARSE DE OTRA MANERA SIN EL CONSENTIMIENTO ESCRITO DE REGAL-BELOIT CORPORATION. -TODOS LOS DERECHOS RESERVADOS.		ESCALA: NONE	HOJA: 1

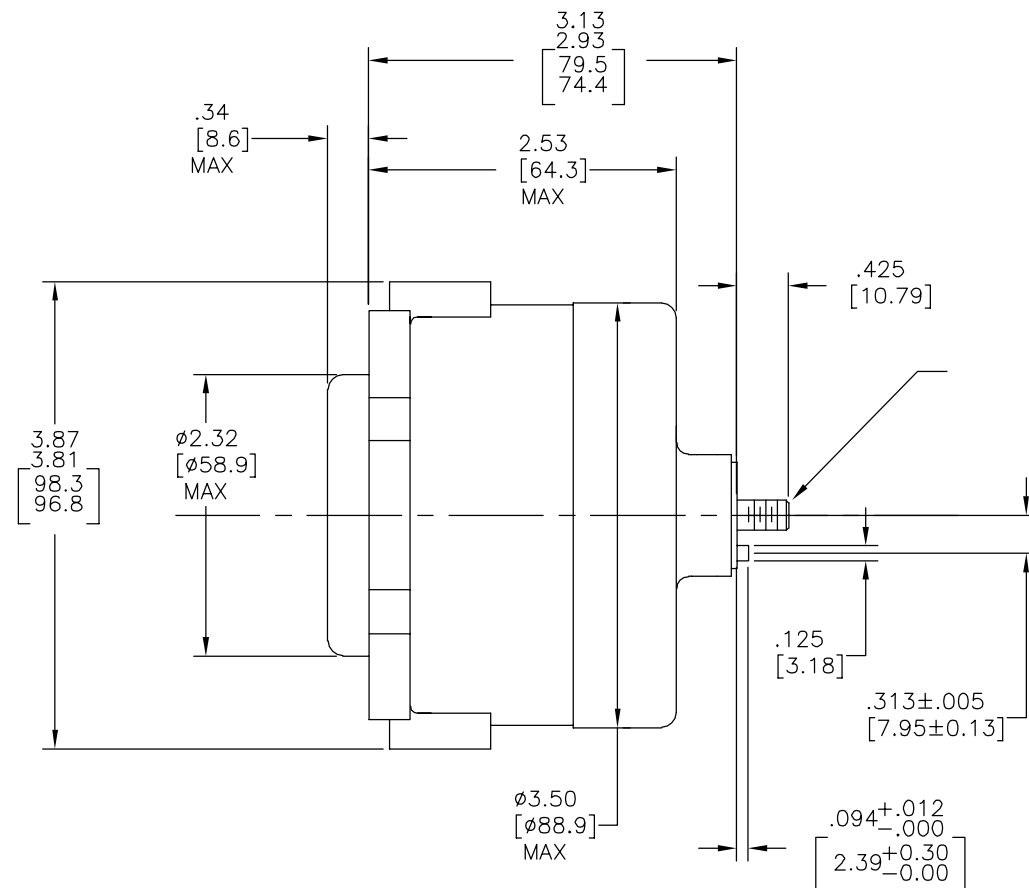
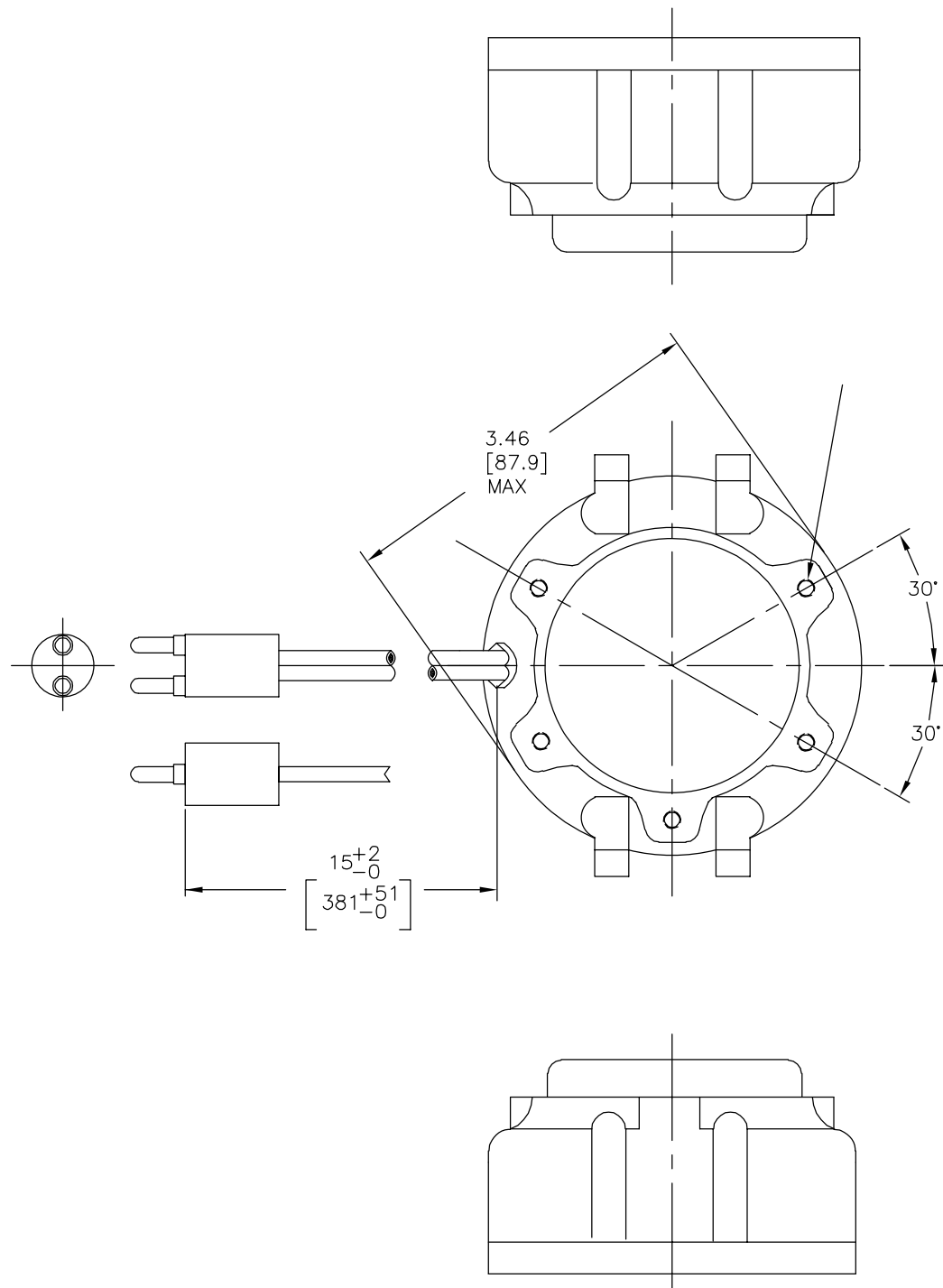
4

3

2

1

版本	ECO	编制	日期	批准	日期
C	0025432	O. CARVAJAL	04-16-2012	D. BALDERRAMA	04-16-2012



形位公差	除另有注明 尺寸公差如下:
□ 平面度	英寸 X XX XXX XXXX
— 直线度	英寸 ±.1 ±.02 ±.005 ±.0005
∠ 倾斜度	毫米 ±0.5 ±0.13 ±0.013
⊥ 垂直度	角度 ±.50 度
// 平行度	清理毛刺和尖棱
○ 圆度	英寸 .003-.015 毫米 0.1-0.4
⊙ 圆柱度	内圆角
△ 面轮廓度	英寸 .020 毫米 0.5
∩ 线轮廓度	表面粗糙度
⌒ 圆跳动	英制 125 米制 3.2
⊕ 位置度	米制尺寸显示在 []
⊗ 同轴度	

ASME Y14.5M 1994

绘图:	J. NICHTER	01-18-2010
批准:		
第三角投影		图纸格式发布日期 11-11-2011 图纸格式版本 G
机密: 本图纸及相关信息所有权归REGAL-BELOIT CORPORATION 未经REGAL-BELOIT CORPORATION书面授权, 不得泄露、 复制、传播或作其他用途。—版权所有		



名称	OUTLINE	
图幅	C	图号 9211
比例	NONE	页号 1

4

3

2

1