

PRODUCT INFORMATION PACKET



Model No: 9405A

Catalog No: 9405A

OEM Replacement Motor, 3/4,1/2,1/3,1/4,1/5 HP, 1 Ph, 60 Hz, 115 V, 1075 RPM, 5 Speed, 48 Frame,
OPEN



Regal and Century are trademarks of Regal Rexnord Corporation or one of its affiliated companies.

©2022 Regal Rexnord Corporation, All Rights Reserved. MC017097E





Nameplate Specifications

Output HP	3/4,1/2,1/3,1/4,1/5 Hp	Output KW	0.56 kW
Frequency	60 Hz	Voltage	115 V
Current	9.7,7.7,6.4,4.7,3.5 A	Speed	1075 rpm
Service Factor	1	Phase	1
Duty	Air Over	Insulation Class	B
Frame	F48Y	Enclosure	Open Enclosed
Thermal Protection	Automatic	Ambient Temperature	40 °C
UL	Recognized	CSA	Y
CE	N	Number of Speeds	5

Technical Specifications

Electrical Type	Permanent Split Capacitor	Starting Method	Across The Line
Poles	6	Rotation	Counterclockwise Lead End
Mounting	Resilient Rings	Motor Orientation	Horizontal
Drive End Bearing	Ball	Opp Drive End Bearing	Ball
Frame Material	Rolled Steel	Shaft Type	Flat
Overall Length	8.93 in	Frame Length	4.75 in
Shaft Diameter	0.500 in	Shaft Extension	3.1 in
Outline Drawing	F48Z02A01	Connection Drawing	614131-352

This is an uncontrolled document once printed or downloaded and is subject to change without notice. Date Created:11/28/2022

4

3

2

1

REV	ECO	REV BY	DATE	APPD	DATE
F	0025528	E.SINECIO	04-24-2012	R.RASCON	04-24-2012

GENERAL INFORMATION:

SHAFT RUNOUT: .001 [.03] T.I.R. PER INCH LENGTH OF EXTENSION

BEARINGS: BALL

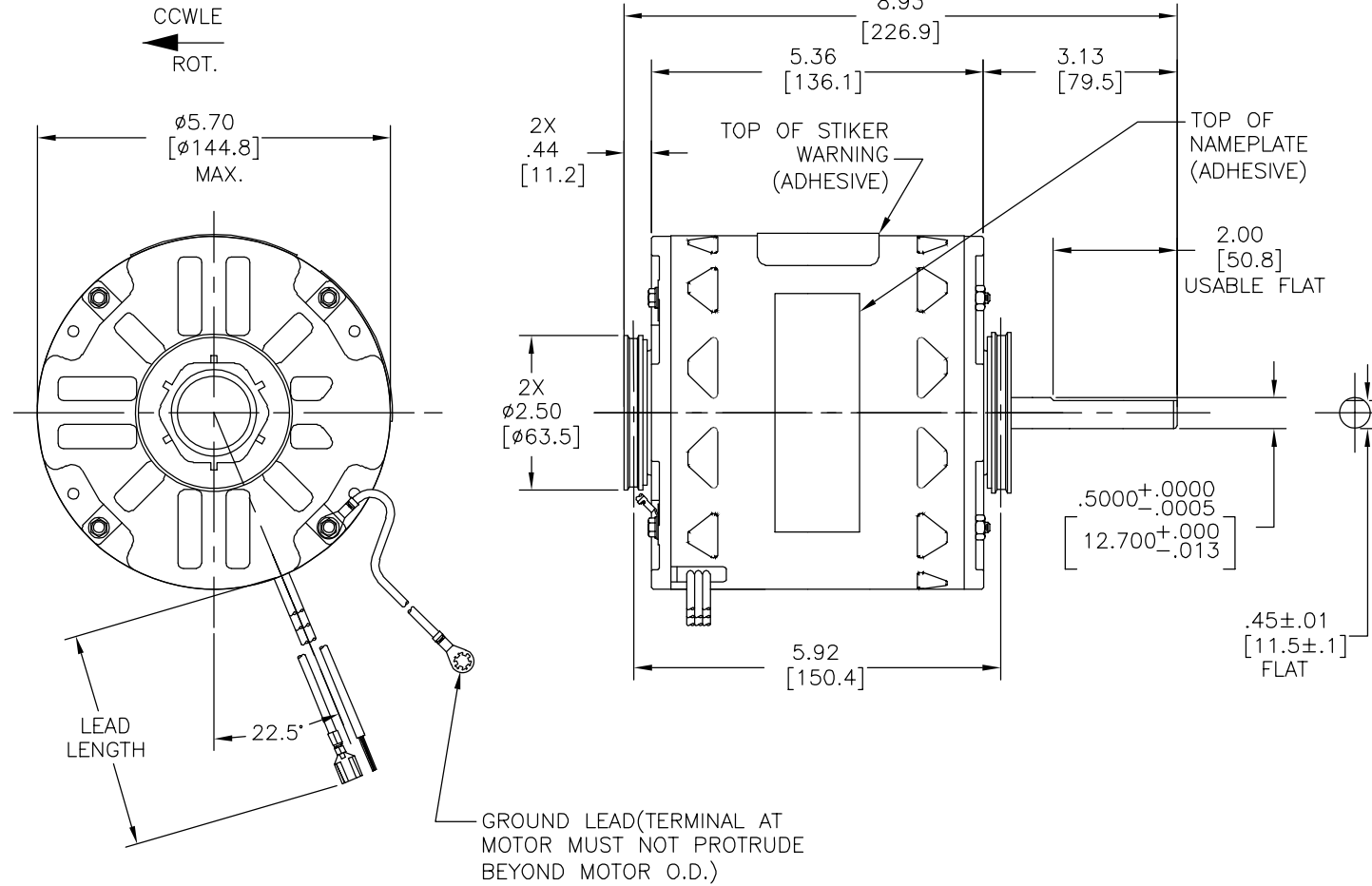
MOUNTING POSITION: HORIZONTAL

ELECTRICAL DATA:

OVERLOAD PROTECTOR: AUTOMATIC RESET (T.I. 7AM 036)

LEADS: NO. 18 GA., .06 [1.5] THK. PVC 105°C INSUL.

GROUND LEAD: NO. 16 GA., .03 [.8] THK. (GREEN/YELLOW) INSUL.



NAMEPLATE DATA:	EXTERNAL CONNECTION DIAGRAM
MODEL NO.: F48Z02A01 CUST. P/N: 9405A HP: 3/4, 1/2, 1/3, 1/4, 1/5 ROT.: CCWLE RPM: 1075 TYPE: UF FRAME: 48Y VOLTS: 115 PH: 1 AMPS: 9.7, 7.7, 6.4, 4.7, 3.5 HZ: 60 INS.: B AMB.: 40°C DUTY: AIR OVER CAP.: 40MFD/370V ENCL: OPEN UL LOGO CSA LOGO THERMALLY PROTECTED	SEP. CAP. PURPLE PURPLE WHITE BLACK HI BROWN MED-HI BLUE MED YELLOW MED-LO RED LO 614131-352

GRN/YEL (GRD)	11.0/13.0 [279/330]	#10 EYELET
PURPLE	19.0/21.0 [482/533]	.25[6.4] FEMALE SPADE
PURPLE	19.0/21.0 [482/533]	.25[6.4] FEMALE SPADE
WHITE	27.0/29.0 [686/737]	.50[12.7] SKIN
BLACK	27.0/29.0 [686/737]	.50[12.7] SKIN
BROWN	27.0/29.0 [686/737]	.50[12.7] SKIN
BLUE	27.0/29.0 [686/737]	.50[12.7] SKIN
YELLOW	27.0/29.0 [686/737]	.50[12.7] SKIN
RED	27.0/29.0 [686/737]	.50[12.7] SKIN
COLOR	LENGTH	TERMINAL OR STRIP LENGTH

MAIN FRAME - OLE	OPEN
END FRAME - OLE	OPEN
MAIN FRAME - LE	OPEN
END FRAME - LE	OPEN

CUSTOMER	DISTRIBUTION SERVICES
----------	-----------------------

PERFORMANCE CURVE NO.	TORQUE @ 1075 RPM (25°C)	APPROVED SAMPLE	UL COMPONENT FILE #	CCN #	CSA FILE #	CLASS #
C32670	71.1 OZ. FT.	0603110A	E46412	PRGY2	LR43341	4211-01

GEOMETRIC CHARACTERISTICS & SYMBOLS
 ▽ FLATNESS
 - STRAIGHTNESS
 < ANGLARITY
 ⊥ PERPENDICULARITY (SQUARENESS)
 // PARALLELISM
 ○ ROUNDNESS (CIRCULARITY)
 ∅ CYLINDRICITY
 △ PROFILE OF ANY SURFACE
 ∩ PROFILE OF ANY LINE
 ↗ RUNOUT
 ⊕ TRUE POSITION
 ⊙ CONCENTRICITY
 = SYMMETRY
 ASME Y14.5M 1994

REGAL-BELOIT CORPORATION (RBC) PROVIDES TECHNICAL ASSISTANCE TO OUR CUSTOMERS IN SEVERAL AREAS. SINCE RBC DOES NOT RECEIVE ALL DATA CONCERNING THE USE AND APPLICATION OF THE MOTOR, THE SUITABILITY OF THE MOTOR FOR THE APPLICATION MUST BE DETERMINED BY THE CUSTOMER.
 DIMENSIONS WITHOUT TOLERANCES ARE FOR REFERENCE ONLY.

DR BY: MEIYU.HE 03-21-2007
 APPD: .
 THIRD ANGLE PROJECTION
 EDS DATE 02-22-2008
 FORMAT REV G
 CONFIDENTIAL: THIS DRAWING AND ITS INFORMATION ARE THE EXCLUSIVE AND CONFIDENTIAL PROPERTY OF REGAL-BELOIT CORPORATION AND ARE NOT TO BE DISCLOSED, DUPLICATED, DISTRIBUTED OR OTHERWISE USED WITHOUT THE WRITTEN CONSENT OF REGAL-BELOIT CORPORATION. -ALL RIGHTS RESERVED.

REGAL-BELOIT CORPORATION
 DESCRIPTION: MODEL-RFHP-48FR OUTLINE
 SIZE C DWG NO F48Z02A01
 SCALE NONE SHEET 1

4

3

2

1

4

3

2

1

REVISION:	ECO	REVISADO POR:	FECHA:	APROBADO POR:	FECHA:
F	0025528	E.SINECIO	04-24-2012	R.RASCON	04-24-2012

INFORMACION GENERAL:

OSCILACION DE FLECHA: .001 [.03] T.I.R. PER INCH LENGTH OF EXTENSION

BALEROS: BOLA

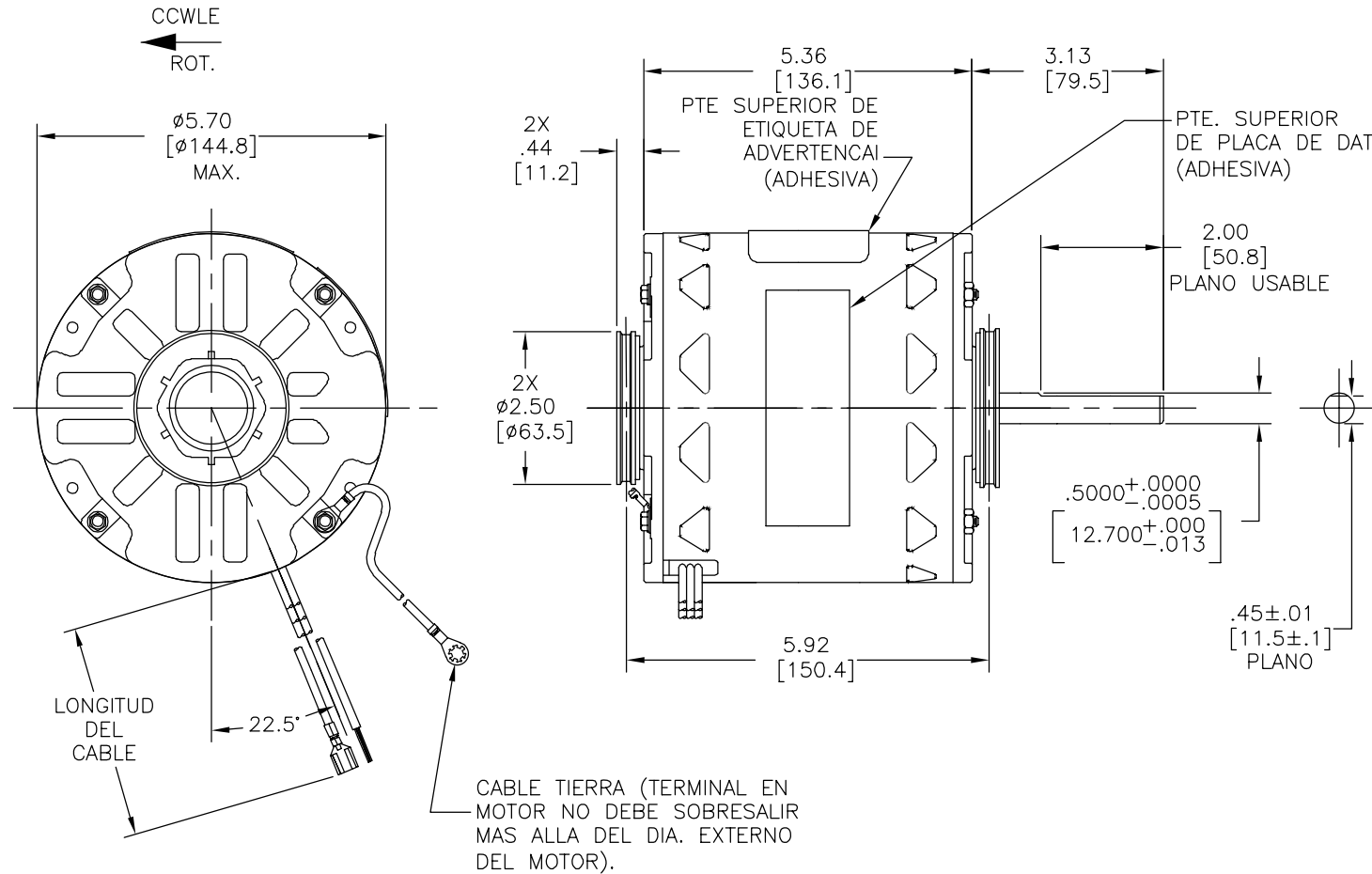
POSICION DEL MONTAJE: HORIZONTAL

INFORMACION ELECTRICA:

SOBRECARGA DEL PROTECTOR: REINICIO AUTOMATIC (T.I. 7AM 036)

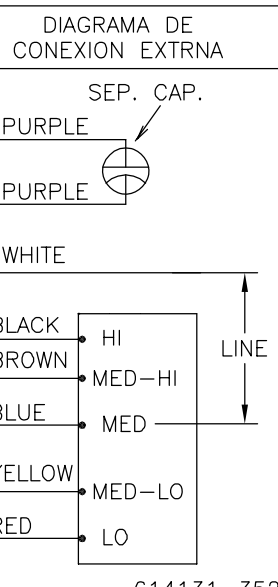
CABLES: NO. 18 GA., .06 [1.5] THK. PVC 105°C AISLAM.

CABLE DE TIERRA: NO. 16 GA., .03 [.8] THK. (VERDE) AISLAM.



INFORMACION DE ETIQUETA:

MODEL NO.: F48Z02A01
CUST. P/N: 9405A
HP: 3/4,1/2,1/3,1/4,1/5
ROT.: CCWLE
RPM: 1075
TYPE: UF
FRAME: 48Y
VOLTS: 115
PH: 1
AMPS: 9.7, 7.7, 6.4, 4.7, 3.5
HZ: 60
INS.: B
AMB.: 40°C
DUTY: AIR OVER
CAP.: 40MFD/370V
ENCL: OPEN
UL LOGO
CSA LOGO
THERMALLY PROTECTED



VERDE/AMAR. (TIERRA)	11.0/13.0 [279/330]	#10 OJAL
MORADO	19.0/21.0 [482/533]	.25[6.4] ESPADA HEMB.
MORADO	19.0/21.0 [482/533]	.25[6.4] ESPADA HEMB.
BLANCO	27.0/29.0 [686/737]	.50[12.7] DESFORRE
NEGRO	27.0/29.0 [686/737]	.50[12.7] DESFORRE
CAFE	27.0/29.0 [686/737]	.50[12.7] DESFORRE
AZUL	27.0/29.0 [686/737]	.50[12.7] DESFORRE
AMARILLO	27.0/29.0 [686/737]	.50[12.7] DESFORRE
ROJO	27.0/29.0 [686/737]	.50[12.7] DESFORRE
COLOR	LONGITUD	TERMINAL O LONGITUD DE DESFORRE

DE CARCASA - OLE	ABIERTO
DE TAPA - OLE	ABIERTO
DE CARCASA - LE	ABIERTO
DE TAPA - LE	ABIERTO

CLIENTE	DISTRIBUTION SERVICES
---------	-----------------------

CURVAS DE FUNCIONAMIENTO	TORSION @1075 RPM (25°C)	MUESTRA APROBADA	COMPONENTE UL	CSA
C32670	71.1 OZ. FT.	0603110A	#ARCHIVO PRGY2	#ARCHIVO CLASE #
			LR43341	4211-01

CARACTERISTICAS DE GEOMETRIA Y SIMBOLOS

∠ PLANICIDAD

— RECTITUD

∠ ANGULARIDAD

⊥ PERPENDICULARIDAD (A ESCUADRA)

// PARALELISMO

○ REDONDEZ (CIRCULARIDAD)

∅ CILINDRICIDAD

△ PERFIL DE CUALQUIER SUPERFICIE

∧ PERFIL DE CUALQUIER LINEA

∧ VARIACION

⊕ POSICION REAL

⊙ CONCENTRICIDAD

≡ SIMETRIA

ASME Y14.5M 1994

REGAL-BELOIT CORPORATION (RBC) PROVEE ASISTENCIA TECNICA A NUESTROS CLIENTES EN VARIAS AREAS, DESDE QUE RBC NO RECIBE TODOS LOS DATOS EN RELACION AL USO Y A LA APLICACION DEL MOTOR, LA APLICACION ADECUADA DEL MOTOR DEBE SER DETERMINADA POR EL CLIENTE.

DIMENSIONES SIN TOLERANCIA SON DE REFERENCIA SOLAMENTE

DIBUJADO POR: MEIYU.HE 03-21-2007

APROBADO POR:

TERCER ANGULO DE PROYECCION

FECHA EDS: 02-22-2008

REV. FORMATO: G

CONFIDENCIAL: ESTE DIBUJO Y SU INFORMACION SON PROPIEDAD DE USO EXCLUSIVO Y CONFIDENCIAL DE REGAL-BELOIT CORPORATION. Y NO DEBERAN SER REVELADOS, DUPLICADOS, DISTRIBUIDOS O USARSE DE OTRA MANERA SIN EL CONSENTIMIENTO ESCRITO DE REGAL-BELOIT CORPORATION. -TODOS LOS DERECHOS RESERVADOS.

REGAL-BELOIT CORPORATION

DESCRIPCION: MODEL-RFHP-48FR OUTLINE

TAMAÑO: C NUMERO DE DIBUJO: F48Z02A01

ESCALA: NONE HOJA: 1

4

3

2

1

4

3

2

1

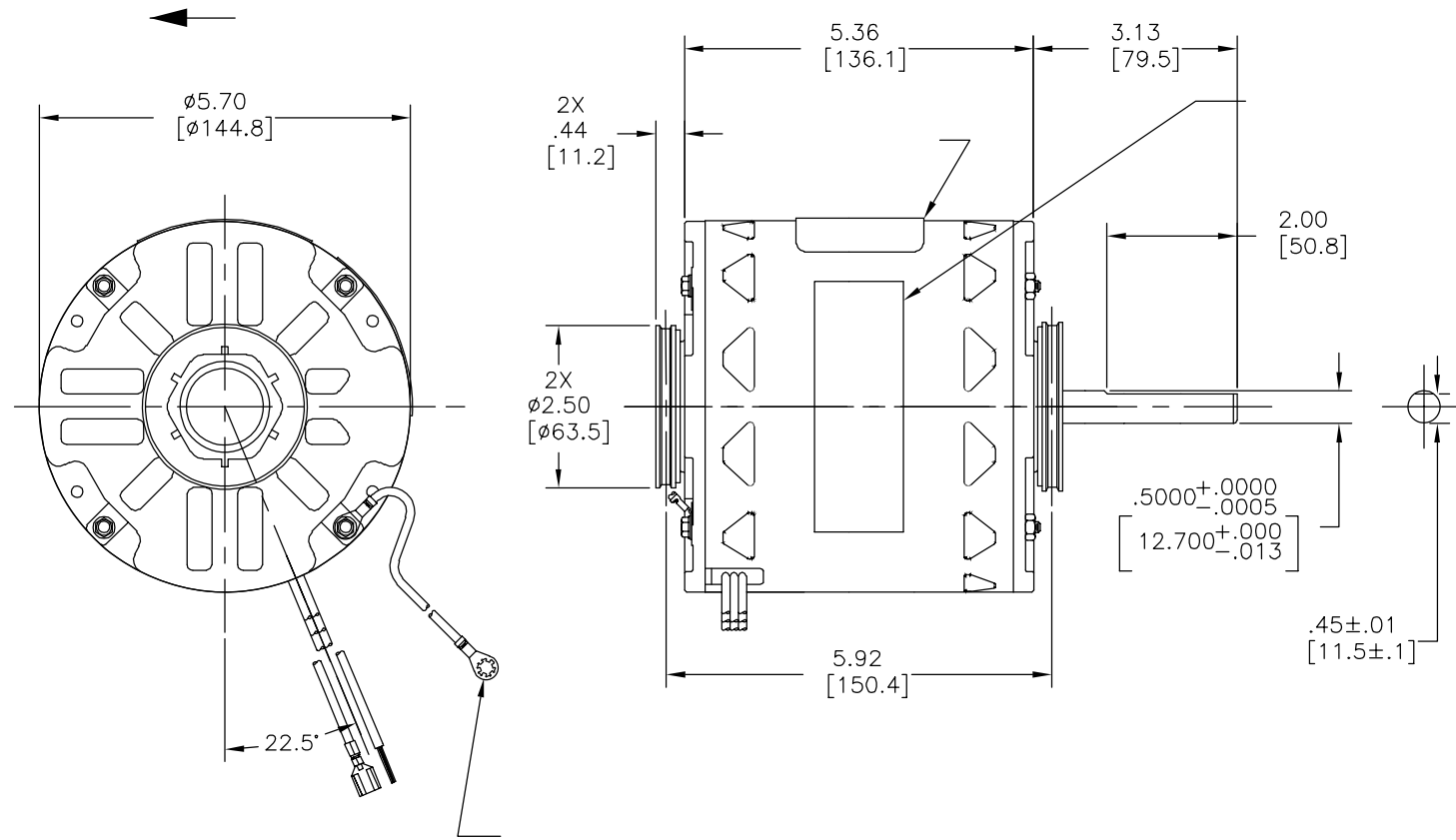
版本	ECO	编制	日期	批准	日期
F	0025528	E.SINECIO	04-24-2012	R.RASCON	04-24-2012

总技术要求:

轴跳动: 0.03/25.4mm(外伸轴).
 轴承: 球轴承.
 安装位置: 垂直 - 轴向下

电气数据:

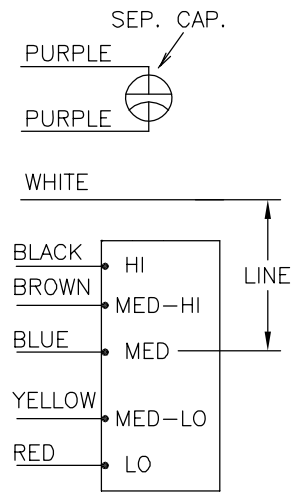
过载保护: 自动复位 (T. I. 7AM 036)
 引线: 18GA, 厚.06[1.5] PVC 105°C 绝缘
 接地线: 18GA, 厚.03[0.8] 绿色绝缘



铭牌数据

外部数据线

MODEL NO.: F48Z02A01
 CUST. P/N: 9405A
 HP: 3/4,1/2,1/3,1/4,1/5
 ROT.: CCWLE
 RPM: 1075
 TYPE: UF
 FRAME: 48Y
 VOLTS: 115
 PH: 1
 AMPS: 9.7, 7.7, 6.4, 4.7, 3.5
 HZ: 60
 INS.: B
 AMB.: 40°C
 DUTY: AIR OVER
 CAP.: 40MFD/370V
 ENCL: OPEN
 UL LOGO
 CSA LOGO
 THERMALLY PROTECTED



614131-352

	11.0/13.0	
	[279/330]	
	19.0/21.0	
	[482/533]	
	19.0/21.0	
	[482/533]	
	27.0/29.0	
	[686/737]	
	27.0/29.0	
	[686/737]	
	27.0/29.0	
	[686/737]	
	27.0/29.0	
	[686/737]	
	27.0/29.0	
	[686/737]	

性能曲线编号	转矩在 @ --- RPM (25° C)	批准样品	UL部件		CSA	
			文件号	指南	文件号	指南
C32670	71.1 OZ. FT.	0603110A	E46412	PRGY2	LR43341	4211-01

颜色	长度	端子或剥线长度
----	----	---------

无引线端机壳	
无引线端端盖	
有引线端机壳	
有引线端端盖	

用户	DISTRIBUTION SERVICES
----	-----------------------

- 形位公差
- 平面度
- 直线度
- ∠ 倾斜度
- ⊥ 垂直度
- // 平行度
- 圆度
- ⊘ 圆柱度
- △ 面轮廓度
- ∩ 线轮廓度
- ↗ 圆跳动
- ⊕ 位置度
- ⊙ 同轴度
- ≡ 对称度

ASME Y14.5M 1994

REGAL-BELOIT CORPORATION (RBC) 在个别领域为客户提供技术支持。鉴于RBC未收到任何涉及电机使用和应用环境的数据, 电机的适用性由客户自己决定。

未注公差尺寸仅供参考。

绘图:	MEIYU.HE	03-21-2007
批准:		
第三角投影		图纸格式发布日期 02-22-2008 图纸格式版本 G
机密: 本图纸及相关信息所有权归REGAL-BELOIT CORPORATION。未经REGAL-BELOIT CORPORATION书面授权, 不得泄露、复制、传播或作其他用途。一版权所有		

名称	
MODEL-RFHP-48FR OUTLINE	
图幅	图号
C	F48Z02A01
比例	页号
NONE	1

4

3

2

1