

PRODUCT INFORMATION PACKET



Model No: 9408

Catalog No: 9408

Fan Coil & Air Conditioner Motor, 1/8, 1/10, 1/15, 1/20 HP, 1 Ph, 60 Hz, 115 V, 1550 RPM, 4 Speed,
42 Frame, OAO



Regal and Century are trademarks of Regal Rexnord Corporation or one of its affiliated companies.

©2023 Regal Rexnord Corporation, All Rights Reserved. MC017097E





Nameplate Specifications

Phase	1	Output HP	1/8, 1/10, 1/15, 1/20 Hp
Output KW	0.10 kW	Voltage	115 V
Speed	1550 rpm	Service Factor	1
Frame	42	Enclosure	Open Air Over
Thermal Protection	Automatic	Ambient Temperature	40 °C
Frequency	60 Hz	Current	2.1 A
Duty	Continuous Air Over	Insulation Class	B
UL	Recognized	CSA	Y
CE	N	Number of Speeds	4

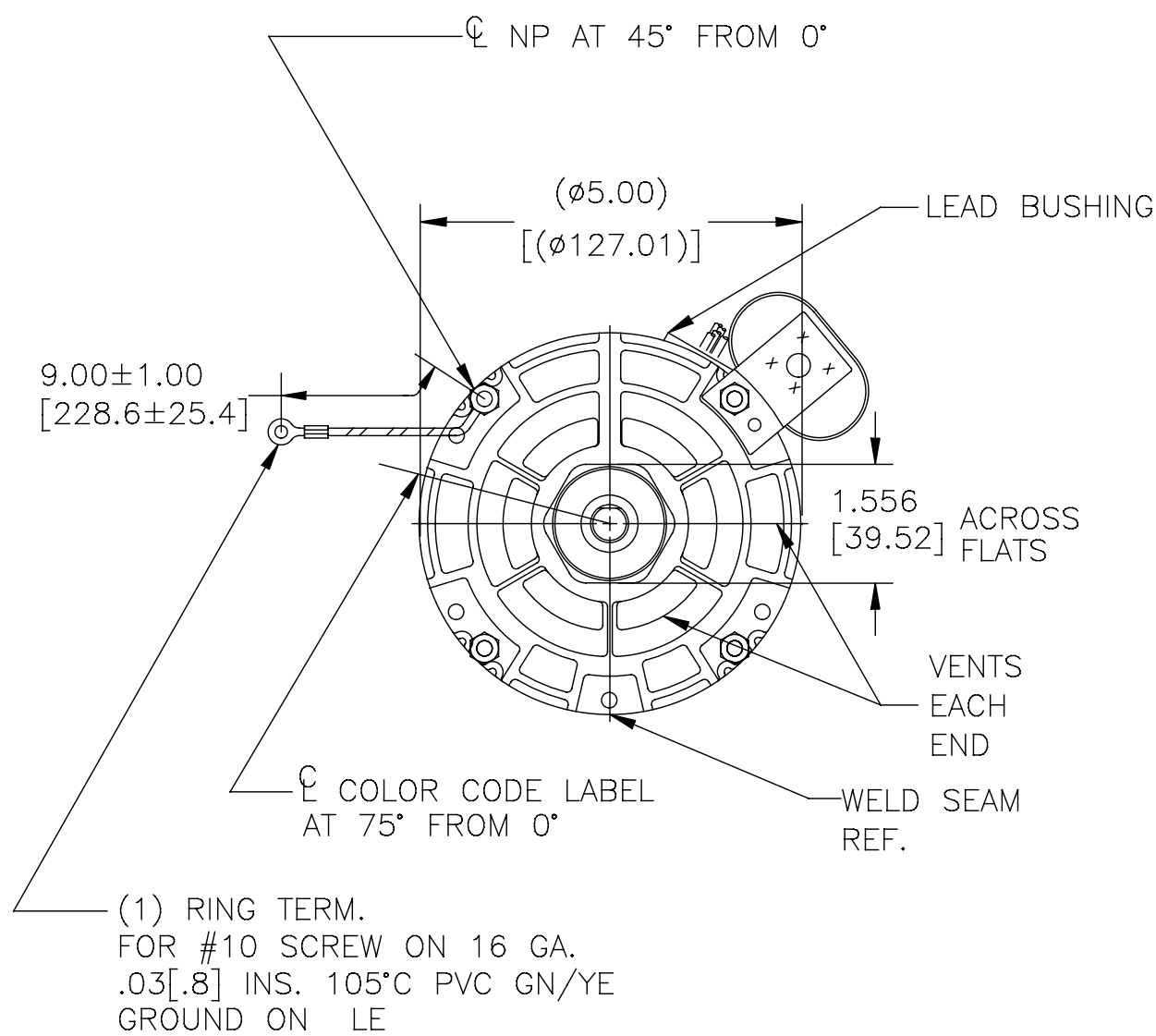
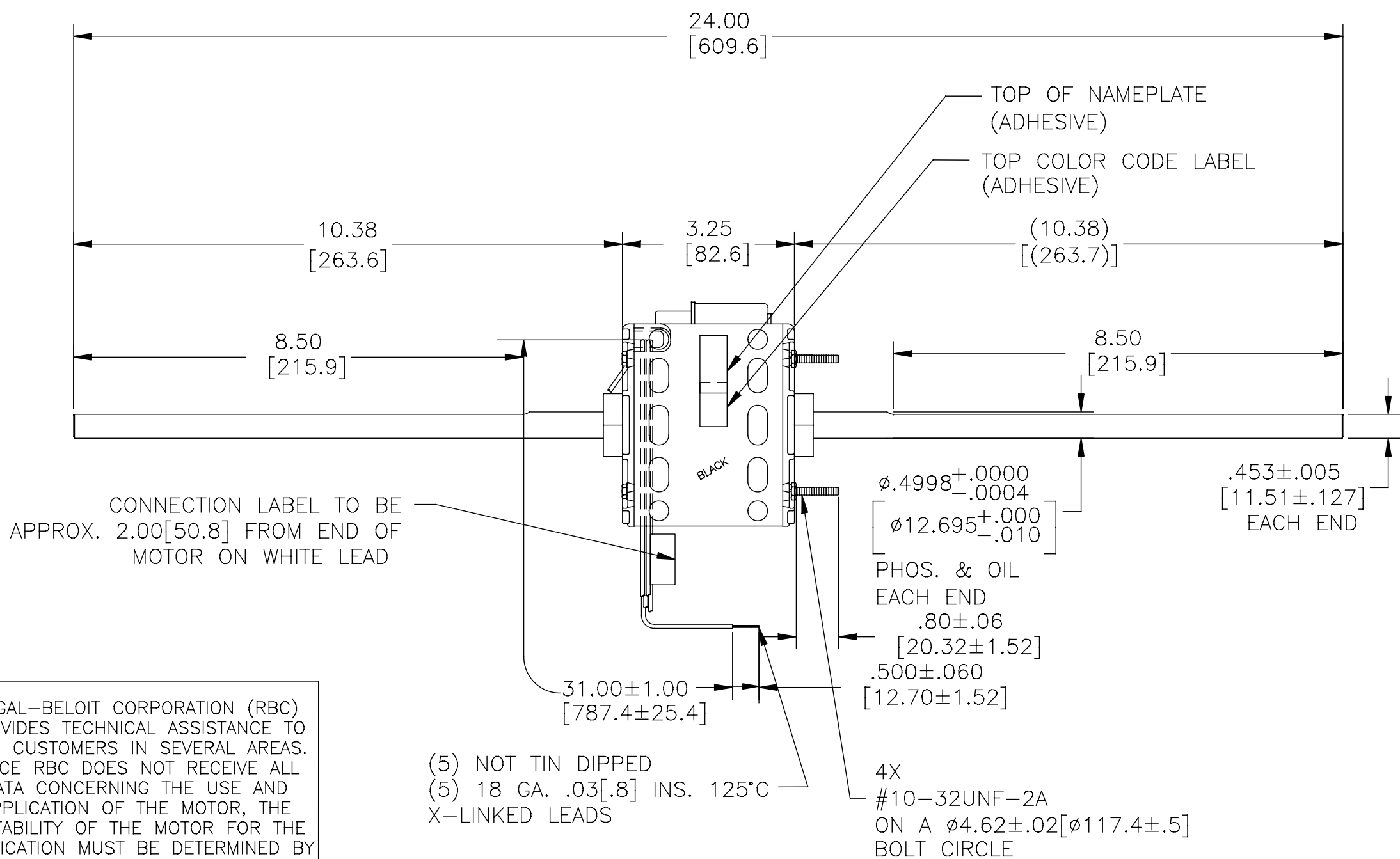
Technical Specifications

Electrical Type	Permanent Split Capacitor	Starting Method	Across The Line
Poles	4	Rotation	Clockwise Lead End
Mounting	Extended Studs	Motor Orientation	Horizontal
Drive End Bearing	Sleeve	Opp Drive End Bearing	Sleeve
Frame Material	Rolled Steel	Shaft Type	Flat
Overall Length	24.00 in	Frame Length	2.67 in
Shaft Diameter	0.500 in	Shaft Extension	10.38X.5X10.38 in
Outline Drawing	9408-S01		

This is an uncontrolled document once printed or downloaded and is subject to change without notice. Date Created:04/24/2023

CUSTOMER IS SOLELY RESPONSIBLE FOR MOTOR PERFORMANCE AND SUITABILITY IN APPLICATIONS FOR CUSTOMER'S USES.

END PLAY .005[.13] MIN - .040[1.02] MAX
 MAX. SHAFT RUN OUT .001[.03] PER INCH
 MAX. RUN OUT NOT TO EXCEED .0075[.191]



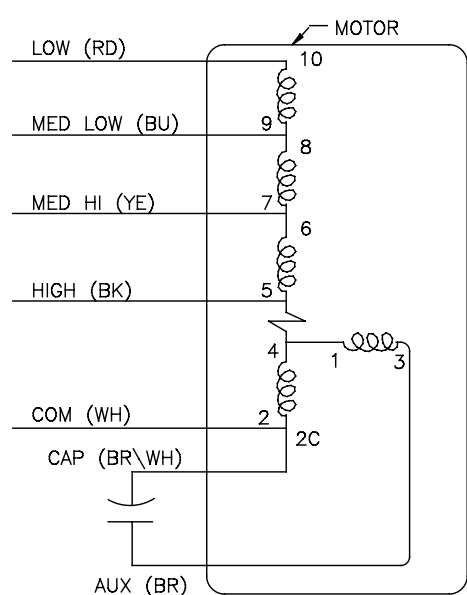
REGAL-BELOIT CORPORATION (RBC) PROVIDES TECHNICAL ASSISTANCE TO OUR CUSTOMERS IN SEVERAL AREAS. SINCE RBC DOES NOT RECEIVE ALL DATA CONCERNING THE USE AND APPLICATION OF THE MOTOR, THE SUITABILITY OF THE MOTOR FOR THE APPLICATION MUST BE DETERMINED BY THE CUSTOMER.

DIMENSIONS WITHOUT TOLERANCES ARE FOR REFERENCE ONLY.

(5) NOT TIN DIPPED
 (5) 18 GA. .03[.8] INS. 125°C
 X-LINKED LEADS

4X
 #10-32UNF-2A
 ON A Ø4.62±.02[Ø117.4±.5]
 BOLT CIRCLE

ELECTRICALLY PER
 SAMPLE S-0323F



SCHEMATIC-127

NAMEPLATE DATA: **Century** TIPP CITY, OHIO THERMALLY PROTECTED

SER. DATE & PO# PLT LTR MOD DE2C001N' STK NO. 9408
 VOLTS 115 HZ 60 AMPS
 RPM 1550 SP PH CAP5MFD 370VAC
 INS CLB AMB °C HP ROT. CWLE
 BRG SLV ASSEMBLED IN MEXICO

COLOR CODE LABEL:
 63T7452-1
 BK HI 2.1A 1/8HP
 YE MED HI 1.6A 1/10HP
 BU MED LO 1.3A 1/15HP
 RD LO 0.9A 1/20HP
 WH COM

CONN LABEL
 63T7433-209

DRAWING REVISION	REVISION BY	DATE
A	C.ZHOU	07-07-2015
ECO	APPROVED BY	DATE
0077432	C.ZHANG	07-07-2015
ECO DESCRIPTION		
NEW RELEASE		

COPYRIGHT REGAL BELOIT AMERICA, INC. ALL RIGHTS RESERVED. PROPRIETARY AND CONFIDENTIAL INFORMATION - THIS DOCUMENT IS THE PROPERTY OF REGAL BELOIT AMERICA, INC. (OWNERS) AND CONTAINS OWNERS PROPRIETARY INFORMATION. ANY PERSON, CORPORATION OR OTHER FIRM RECEIVING IT IS DEEMED, BY RECEIVING IT, TO AGREE THAT IT, AND/OR ANY PART OF IT, SHALL NOT BE DISCLOSED TO ANY PERSON, CORPORATION OR OTHER ENTITY, DUPLICATED, AND/OR USED, EXCEPT AS EXPRESSLY APPROVED IN WRITING IN ADVANCE BY OWNER. THIS DOCUMENT SHALL BE RETURNED TO OWNER UPON REQUEST. IT MAY BE SUBJECT TO CERTAIN RESTRICTIONS UNDER APPLICABLE EXPORT CONTROL LAWS AND REGULATIONS.

DRAWN BY:
 C.ZHOU
 DATE:
 07-07-2015
 APPROVED BY:
 C.ZHANG
 DATE:
 07-07-2015
 REFERENCE

REGAL Regal Beloit America, Inc.	
DESCRIPTION	MODEL-RFHP-42FR OUTLINE
MATERIAL	PROCESS/FINISH
SIZE	DWG NO
C	9408
THIRD ANGLE PROJECTION	SHEET 1