

PRODUCT INFORMATION PACKET



Model No: 942

Catalog No: 942

OEM Replacement Motor, 1/4 HP, 1 Ph, 60 Hz, 115 V, 1050 RPM, 1 Speed, 42 Frame, OAO



Regal and Century are trademarks of Regal Rexnord Corporation or one of its affiliated companies.
©2022 Regal Rexnord Corporation, All Rights Reserved. MC017097E





Nameplate Specifications

Output HP	1/4 Hp	Output KW	0.19 kW
Frequency	60 Hz	Voltage	115 V
Current	6.2 A	Speed	1050 rpm
Service Factor	1	Phase	1
Duty	Continuous Air Over	Insulation Class	B
Frame	42	Enclosure	Open Air Over
Thermal Protection	Automatic	Ambient Temperature	40 °C
UL	Recognized	CSA	Y
CE	N	Number of Speeds	1

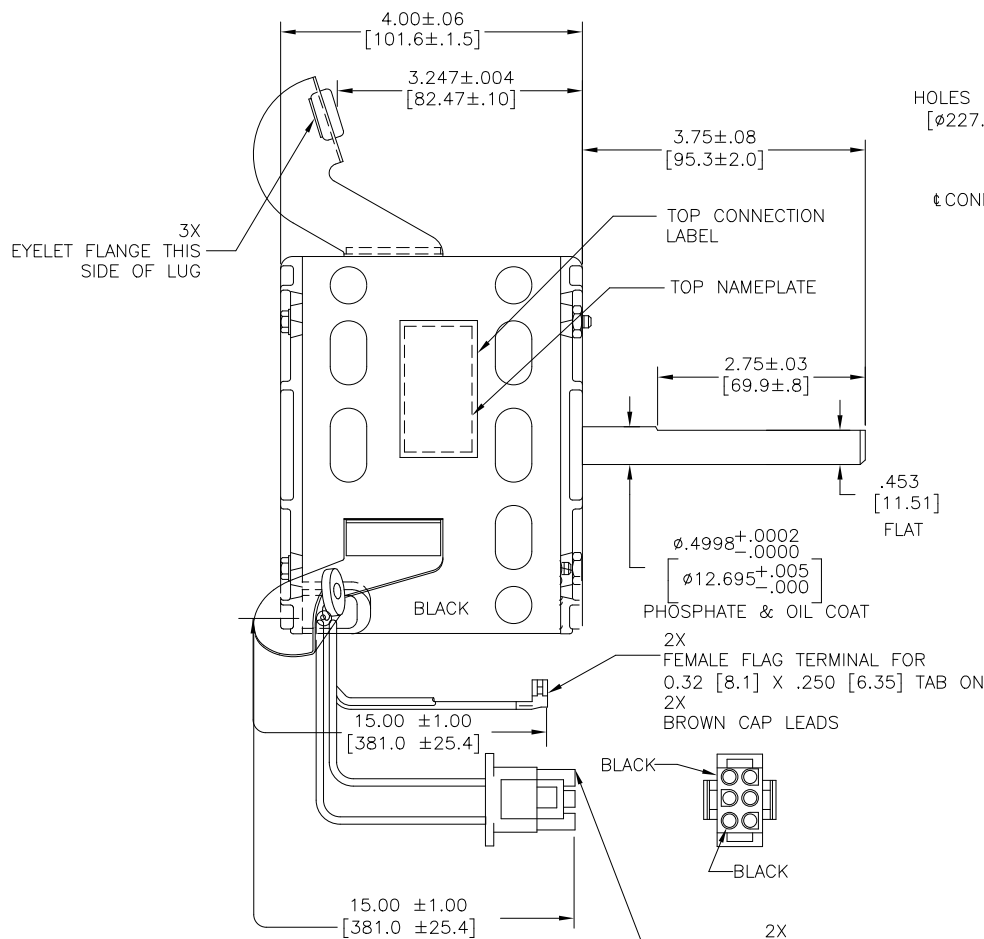
Technical Specifications

Electrical Type	Permanent Split Capacitor	Starting Method	Across The Line
Poles	6	Rotation	Counterclockwise Lead End
Mounting	Lug	Motor Orientation	Horizontal
Drive End Bearing	Sleeve	Opp Drive End Bearing	Sleeve
Frame Material	Rolled Steel	Shaft Type	Flat
Overall Length	7.75 in	Frame Length	3.42 in
Shaft Diameter	0.500 in	Shaft Extension	3 3/4 in
Outline Drawing	942-S01		

This is an uncontrolled document once printed or downloaded and is subject to change without notice. Date Created:11/29/2022

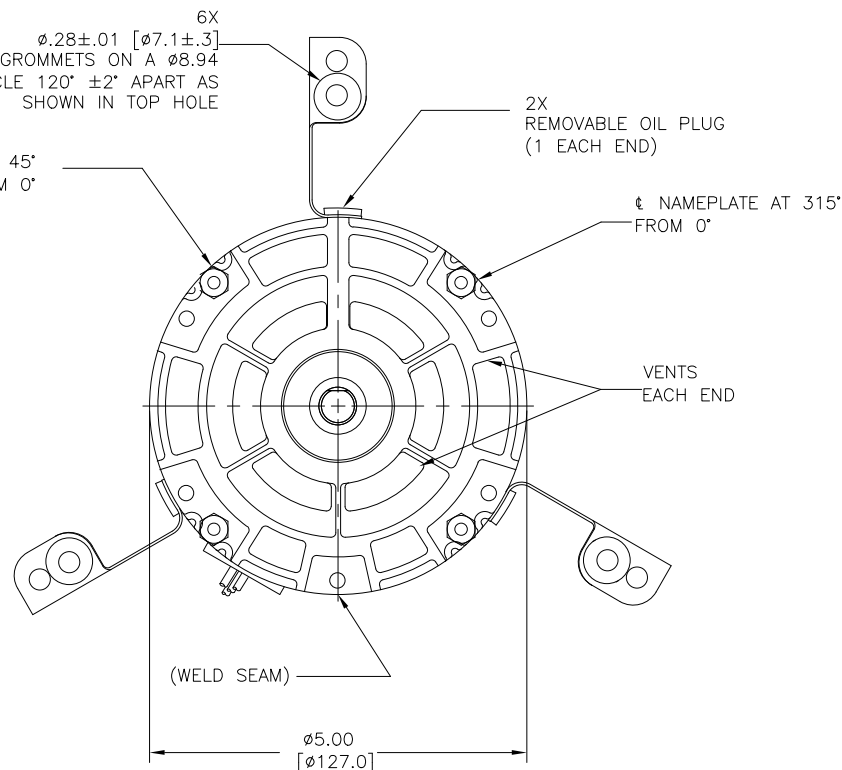
CUSTOMER IS SOLELY RESPONSIBLE FOR MOTOR PERFORMANCE AND SUITABILITY IN APPLICATIONS FOR CUSTOMER'S USES.

END PLAY .005 [.13] MINIMUM- .040 [1.02] MAXIMUM
 MAXIMUM SHAFT RUN OUT .001[.03] PER INCH
 MAXIMUM RUN OUT NOT TO EXCEED .010 [.25]



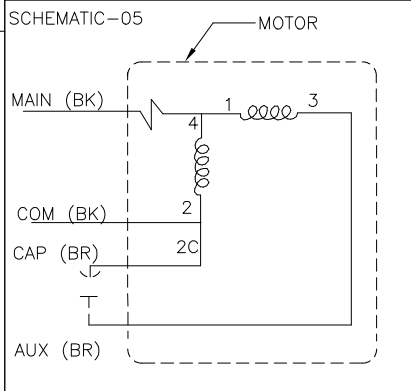
6X
 Ø.28±.01 [Ø7.1±.3]
 HOLES IN EYELETS & GROMMETS ON A Ø8.94 [Ø227.0]± BOLT CIRCLE 120° ±2' APART AS SHOWN IN TOP HOLE

CONNECTION LABEL 45° FROM 0°



CONNECTION LABEL
 10004653-001-001

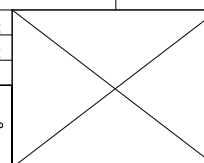
AFTERMARKET STOCK NO.942



ELECTRICALLY PER S9316E

ROT: CCWLE	
NAMEPLATE DATA:	
Tipp City, OH THERMALLY PROTECTED	
SER.DATE & PO#	PLT LTR MOD DE3H029N' STK NO. 942
VOLTS 115	HZ 60 AMPS 6.2
RPM 1050	SP PH1 CAP7.5MFD 370VAC
INS CL B AMB 40°C	HP 1/4 CONT AO
BRG SLV	ASSEMBLED IN MEXICO

DRAWING REVISION	REVISION BY	DATE
H	J. RUPERT	08-30-2022
ECO	APPROVED BY	DATE
ECR-0220518	J. RUPERT	08-30-2022
ECO DESCRIPTION		
CHANGED TO BE SAME NUMBER AS MODEL		
<small> COPYRIGHT REGAL BELOIT AMERICA, INC. ALL RIGHTS RESERVED. PROPRIETARY AND CONFIDENTIAL INFORMATION - THIS DOCUMENT IS THE PROPERTY OF REGAL BELOIT AMERICA, INC. (OWNER) AND CONTAINS OWNER'S PROPRIETARY INFORMATION. ANY PERSON, CORPORATION OR OTHER ENTITY, DUPLICATED, AND/OR REPRODUCED, EXCEPT BY RECEIVING IT, TO AGREE THAT IT, AND/OR ANY PART OF IT, SHALL NOT BE DISCLOSED TO ANY PERSON, CORPORATION OR OTHER ENTITY, DUPLICATED, AND/OR REPRODUCED, EXCEPT AS EXPRESSLY APPROVED IN WRITING IN ADVANCE BY OWNER. THIS DOCUMENT SHALL BE RETURNED TO OWNER UPON REQUEST. IT MAY BE SUBJECT TO CERTAIN RESTRICTIONS UNDER APPLICABLE EXPORT CONTROL LAWS AND REGULATIONS. </small>		



DRAWN BY:	TLB
DATE:	12-02-2001
APPROVED BY:	
DATE:	
REFERENCE	
THIRD ANGLE PROJECTION	

Regal Beloit America, Inc.	
DESCRIPTION	
MODEL-RFHP=42FR OUTLINE	
REFERENCE	PROCESS/FINISH
SIZE	DWG NO
C	942
SHEET	1