

PRODUCT INFORMATION PACKET



Model No: 9435V1A
Catalog No: 9435V1A

OEM Replacement Motor, 1/2 HP, 1 Ph, 60 Hz, 277 V, 1075 RPM, 1 Speed, 48 Frame, SEMI ENCLOSED



Regal and Century are trademarks of Regal Rexnord Corporation or one of its affiliated companies.
©2023 Regal Rexnord Corporation, All Rights Reserved. MC017097E





Nameplate Specifications

Phase	1	Output HP	1/2 Hp
Output KW	0.37 kW	Voltage	277 V
Speed	1075 rpm	Service Factor	1
Frame	48Y	Enclosure	Semi Enclosed
Thermal Protection	Automatic	Ambient Temperature	40 °C
Frequency	60 Hz	Current	2.8 A
Duty	Air Over	Insulation Class	B
UL	Recognized	CSA	Y
CE	N	Number of Speeds	1

Technical Specifications

Electrical Type	Permanent Split Capacitor	Starting Method	Across The Line
Poles	6	Rotation	Reversible
Mounting	Lug	Motor Orientation	Any
Drive End Bearing	Sleeve	Opp Drive End Bearing	Sleeve
Frame Material	Rolled Steel	Shaft Type	Flat
Overall Length	9.49 in	Frame Length	4.38 in
Shaft Diameter	0.500 in	Shaft Extension	4.5 in
Connection Drawing	614131-376	Outline Drawing	9435V1A-S01

This is an uncontrolled document once printed or downloaded and is subject to change without notice. Date Created:06/20/2023

GENERAL INFORMATION:

SHAFT RUNOUT: .001 [.03] T.I.R. PER INCH LENGTH OF EXTENSION

BEARINGS: BALL

MOUNTING POSITION: HORIZONTAL

ELECTRICAL DATA:

OVERLOAD PROTECTOR: AUTOMATIC RESET (SENSATA 7AM 036)

LEADS: NO. 18 GA., .06 [1.5] THK., PVC 105°C INSULATION

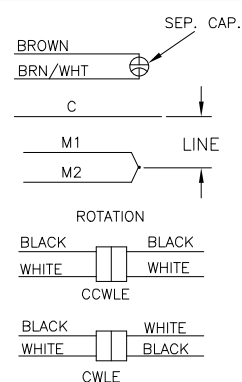
GROUND LEAD: NO. 18 GA., .03 [.8] THK., XLP 125°C INSULATION

GROUND LEAD: NO. 18 GA., .03 [.8] THK., (GREEN/YELLOW) INSULATION

NAMEPLATE DATA:

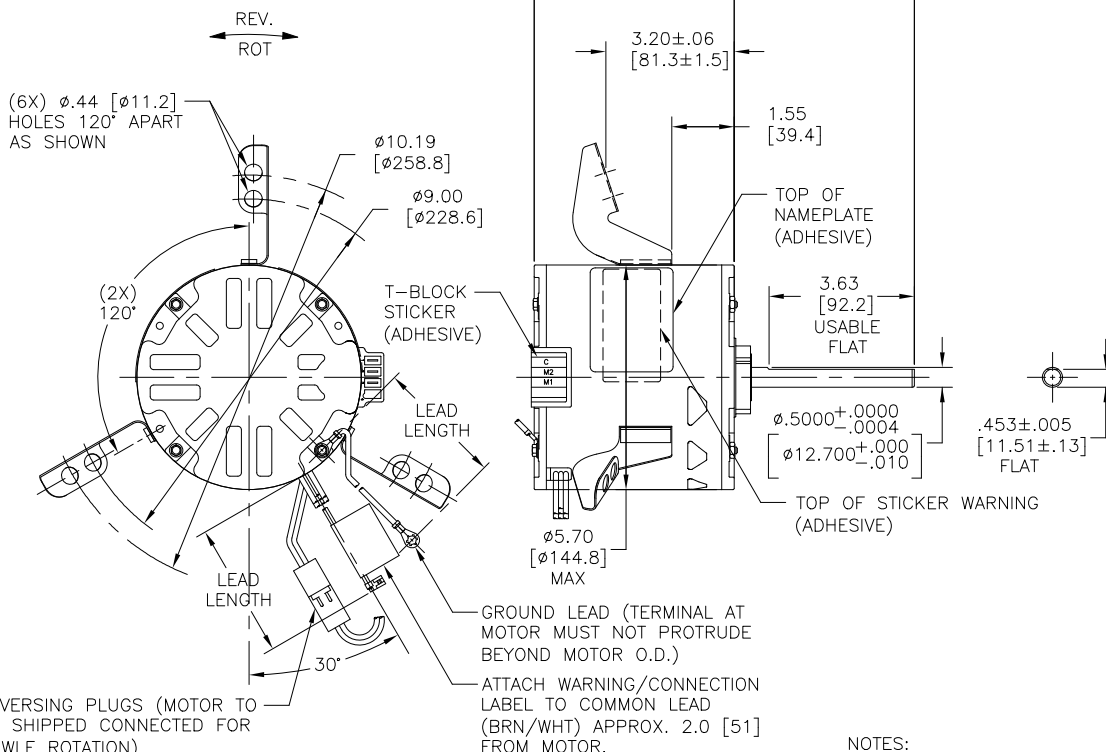
EXTERNAL CONNECTION DIAGRAM

MODEL NO.: F48Z86A01
 CUST. P/N: 9435V1A
 HP: 1/2
 ROT.: REVERSIBLE
 RPM: 1075
 TYPE: UF
 FRAME: 48Y
 VOLTS: 277
 PH: 1
 AMPS: 2.8
 HZ: 60
 INS.: B
 AMB.: 40° C
 DUTY: AIR OVER
 CAP.: 10 MDF/370V
 ENCL.: SEMI-ENCL.
 UL LOGO
 CSA LOGO
 THERMALLY PROTECTED



614131-376

PERFORMANCE CURVE NO.	TORQUE @ 1075 RPM (25°C)	APPROVED SAMPLE	UL COMPONENT		CSA	
			FILE #	CCN #	FILE #	CLASS #
C0001006	53.7 OZ. FT.	0701108A	E27885	XEWR2	LR43341	4211-01



NOTES:
 (3) FERRULES 616877
 (3) GROMMETS 616878
 TO BE SHIPPED SEPARATE IN POLY BAG WITH EACH MOTOR.

TERMINAL BLOCK		
	M2	.25 [6.3] M.Q.C.
	M1	.25 [6.3] M.Q.C.
	C	.25 [6.3] M.Q.C.
GREEN/YELLOW (GROUND)	11.0/13.0 [279/330]	#10 EYELET
BLACK/WHITE	3.0/5.0 [76/127]	REVERSING PLUG
BROWN/WHITE	24.0/26.0 [610/660]	.25 [6.4] FLAG
BROWN	24.0/26.0 [610/660]	.25 [6.4] FLAG
COLOR	LENGTH	TERMINAL OR STRIP LENGTH

REGAL-BELOIT CORPORATION (RBC) PROVIDES TECHNICAL ASSISTANCE TO OUR CUSTOMERS IN SEVERAL AREAS. SINCE RBC DOES NOT RECEIVE ALL DATA CONCERNING THE USE AND APPLICATION OF THE MOTOR, THE SUITABILITY OF THE MOTOR FOR THE APPLICATION MUST BE DETERMINED BY THE CUSTOMER.
 DIMENSIONS WITHOUT TOLERANCES ARE FOR REFERENCE ONLY.

MAIN FRAME - OLE	SEMI-ENCL.
END FRAME - OLE	OPEN
MAIN FRAME - LE	SEMI-ENCL.
END FRAME - LE	OPEN

CUSTOMER	DISTRIBUTION SERVICE

DRAWING REVISION	REVISION BY	DATE
ECO	J. RUPERT	06-12-2023
NMR-0223185	J. RUPERT	06-12-2023

CHANGED TO BALL BEARING

REGAL-BELOIT CORPORATION (RBC) PROVIDES TECHNICAL ASSISTANCE TO OUR CUSTOMERS IN SEVERAL AREAS. SINCE RBC DOES NOT RECEIVE ALL DATA CONCERNING THE USE AND APPLICATION OF THE MOTOR, THE SUITABILITY OF THE MOTOR FOR THE APPLICATION MUST BE DETERMINED BY THE CUSTOMER.
 DIMENSIONS WITHOUT TOLERANCES ARE FOR REFERENCE ONLY.

DRAWN BY:	DATE:
AMY	09-07-2023
APPROVED BY:	DATE:
XIAOU	09-07-2023

REGAL™ Regal Beloit America, Inc.	
DESCRIPTION	MODEL-RFHP-48FR OUTLINE
MATERIAL	PROCESS/FINISH
SIZE DWG NO	9435V1A
SHEET	1