

PRODUCT INFORMATION PACKET



Model No: 9474

Catalog No: 9474

Fan Coil & Air Conditioner Motor, 1/15-1/20-1/25-1/35 HP, 1 Ph, 60 Hz, 115 V, 1075 RPM, 4 Speed,
42 Frame, OAO



Regal and Century are trademarks of Regal Rexnord Corporation or one of its affiliated companies.

©2023 Regal Rexnord Corporation, All Rights Reserved. MC017097E





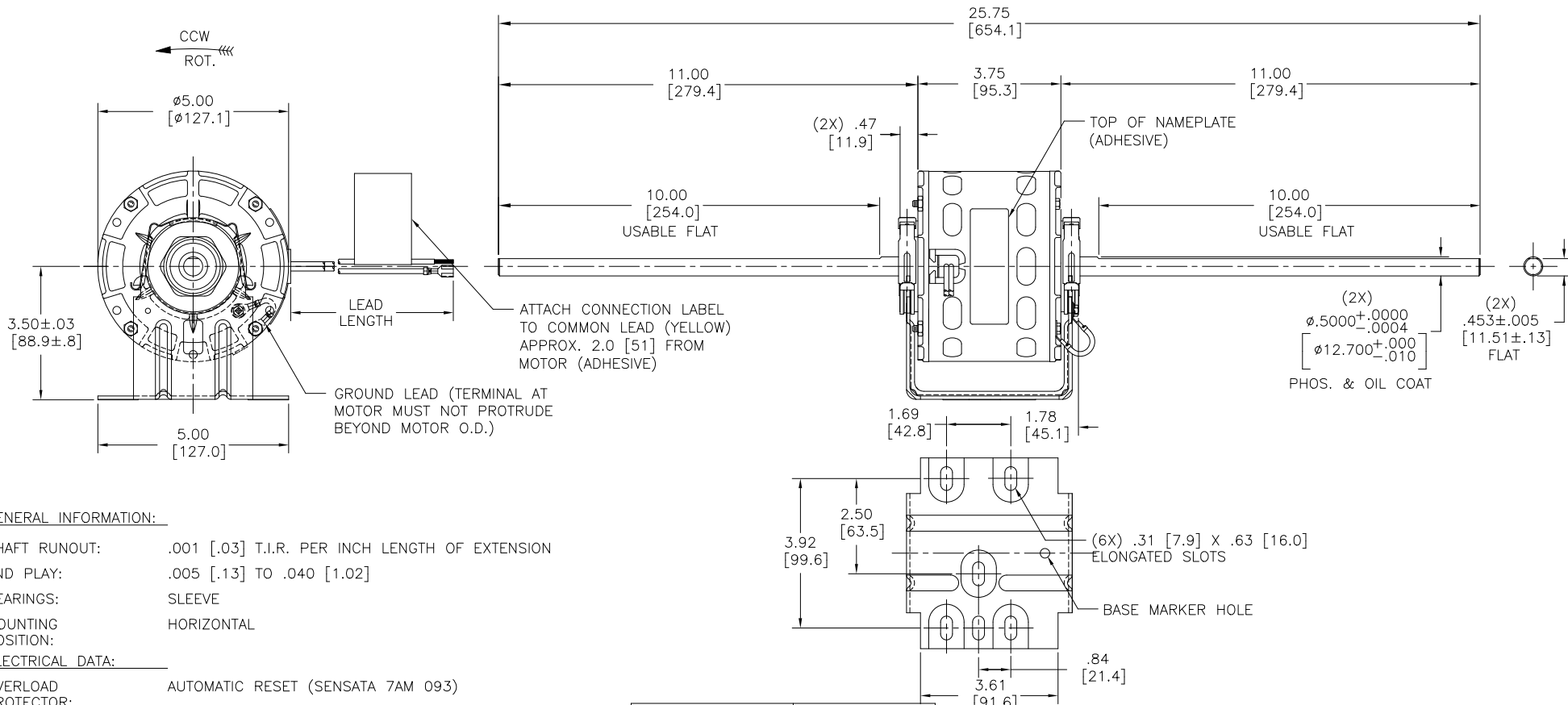
Nameplate Specifications

Output HP	1/15-1/20-1/25-1/35 Hp	Output KW	0.05 kW
Frequency	60 Hz	Voltage	115 V
Current	1.2/0.8/0.7/0.6 A	Speed	1075 rpm
Service Factor	1	Phase	1
Duty	Continuous Air Over	Insulation Class	B
Frame	42Y	Enclosure	Open Air Over
Thermal Protection	Automatic	Ambient Temperature	40 °C
UL	No	CSA	N
CE	N	Number of Speeds	4

Technical Specifications

Electrical Type	Permanent Split Capacitor	Starting Method	Across The Line
Poles	6	Rotation	Counterclockwise Lead End
Mounting	Resilient Base	Motor Orientation	Horizontal
Drive End Bearing	Sleeve	Opp Drive End Bearing	Sleeve
Frame Material	Rolled Steel	Shaft Type	Flat
Overall Length	25.75 in	Frame Length	3.17 in
Shaft Diameter	0.500 in	Shaft Extension	11X.5X11 in
Outline Drawing	9474-S01		

This is an uncontrolled document once printed or downloaded and is subject to change without notice. Date Created:04/03/2023



GENERAL INFORMATION:

SHAFT RUNOUT: .001 [.03] T.I.R. PER INCH LENGTH OF EXTENSION
 END PLAY: .005 [.13] TO .040 [1.02]
 BEARINGS: SLEEVE
 MOUNTING POSITION: HORIZONTAL

ELECTRICAL DATA:

OVERLOAD PROTECTOR: AUTOMATIC RESET (SENSATA 7AM 093)
 LEADS: NO. 18 GA., .03 [.8] THK. XLP 125°C INSUL.
 GROUND LEAD: NO. 16 GA., .03 [.8] THK. (GREEN/YELLOW) INSUL.

MAIN FRAME - OLE	OPEN
END FRAME - OLE	OPEN
MAIN FRAME - LE	OPEN
END FRAME - LE	OPEN
ENCLOSURE	

NAMEPLATE DATA:

Century™ ELECTRICAL PRODUCTS TIPP CITY, OHIO **RU**
 COMPANY

THERMALLY PROTECTED

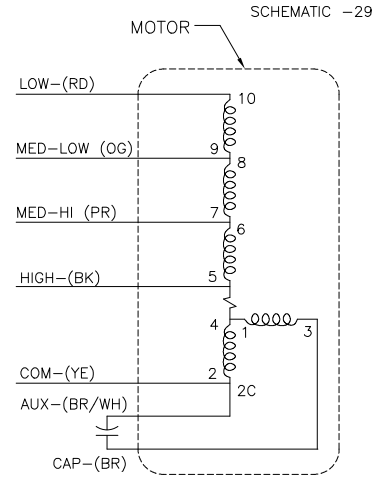
SER. DATE & P0# PLT LTR MOD DE3D461N' STK. NO 9474
 VOLTS 115 HZ 60 AMPS 1.2/0.8/0.7/0.6
 RPM 1075 SP 4 PH 1 CAP 5 MFD/370 VAC
 INS CL B AMB 40°C HP 1/15-1/20-1/25-1/35 CONT AO
 BRG SLV ← ROTATION →
 ASSEMBLED IN MEXICO

BK-HI 1.2 A 1/15 HP
 PR-MED HI .8 A 1/20 HP
 OG-MED LO .7 A 1/25 HP
 RD-LO .6 A 1/35 HP
 YE-COM BR & BR/WH-CAP

PERFORMANCE CURVE NO.	TORQUE @ 1075 RPM (25°C)	APPROVED SAMPLE	UL COMPONENT				CSA	
			FILE #	CCN #	FILE #	CLASS #		
-	67 OZ. IN.	S-1026F-M	-	-	-	-	-	

CONNECTION LABEL
 63T7433-159
 REFERENCE
 63T7432-159
 FOR ASSEMBLY

GREEN/YELLOW (GROUND)	CONNECTED TO BASE	#10 EYELET
BROWN	23.0/25.0 [584/635]	.25 [6.4] FEMALE SPADE
BROWN/WHITE	23.0/25.0 [584/635]	.25 [6.4] FEMALE SPADE
RED	23.0/25.0 [584/635]	.50 [12.7] STRIP
ORANGE	23.0/25.0 [584/635]	.50 [12.7] STRIP
PURPLE	23.0/25.0 [584/635]	.50 [12.7] STRIP
BLACK	23.0/25.0 [584/635]	.50 [12.7] STRIP
YELLOW	23.0/25.0 [584/635]	.50 [12.7] STRIP
COLOR	LENGTH	TERMINAL OR STRIP LENGTH



CUSTOMER

DISTRIBUTION SERVICE

DRAWING REVISION	REVISION BY	DATE
H	J. RUPERT	03-24-2023
ECO	APPROVED BY	DATE
ECR-0224745	J. RUPERT	03-24-2023
ECO DESCRIPTION		
REDRAWN TO NEW FORMAT		
<small>COPYRIGHT REGAL BELTO AMERICA, INC. ALL RIGHTS RESERVED. PROPRIETARY AND CONFIDENTIAL INFORMATION - THIS DOCUMENT IS THE PROPERTY OF REGAL BELTO AMERICA, INC. (OWNER) AND CONTAINS OWNER'S PROPRIETARY INFORMATION. ANY PERSON, CORPORATION OR OTHER ENTITY, DUPLICATED, AND/OR USED, EXCEPT BY RECEIVING IT, TO AGREE THAT IT, AND/OR ANY PART OF IT, SHALL NOT BE DISCLOSED TO ANY PERSON, CORPORATION OR OTHER ENTITY, DUPLICATED, AND/OR USED, EXCEPT AS EXPRESSLY APPROVED IN WRITING IN ADVANCE BY OWNER. THIS DOCUMENT SHALL BE RETURNED TO OWNER UPON REQUEST. IT MAY BE SUBJECT TO CERTAIN RESTRICTIONS UNDER APPLICABLE EXPORT CONTROL LAWS AND REGULATIONS.</small>		

DRAWN BY: AL	Regal Beloit America, Inc.
DATE: 06-08-2011	
APPROVED BY: B. SHEN	
DATE: 06-08-2011	
REFERENCE	DESCRIPTION MODEL-RFHP-42F OUTLINE
THIRD ANGLE PROJECTION	MATERIAL
SIZE C	PROCESS/FINISH
DWG NO 9474	SHEET 1