

PRODUCT INFORMATION PACKET



Model No: 9476A

Catalog No: 9476A

Fan Coil & Air Conditioner Motor, 1/6-1/8-1/10-1/15 HP, 1 Ph, 60 Hz, 115 V, 1625 RPM, 4 Speed,
42 Frame, OPEN



Regal and Century are trademarks of Regal Rexnord Corporation or one of its affiliated companies.
©2022 Regal Rexnord Corporation, All Rights Reserved. MC017097E





Nameplate Specifications

Output HP	1/6-1/8-1/10-1/15 Hp	Output KW	0.13 kW
Frequency	60 Hz	Voltage	115 V
Current	2.2/1.6/1.1/0.9 A	Speed	1625 rpm
Service Factor	1	Phase	1
Duty	Air Over	Insulation Class	B
Frame	42Y	Enclosure	Open Enclosed
Thermal Protection	Automatic	Ambient Temperature	40 °C
UL	Recognized	CSA	Y
CE	N	Number of Speeds	4

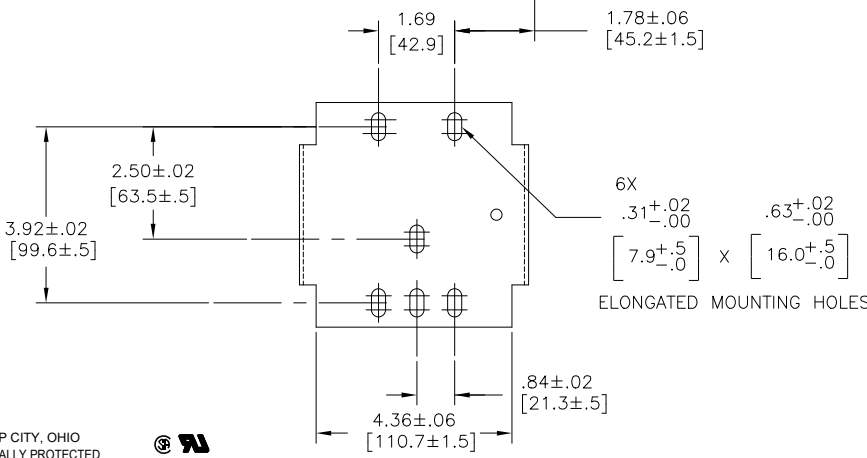
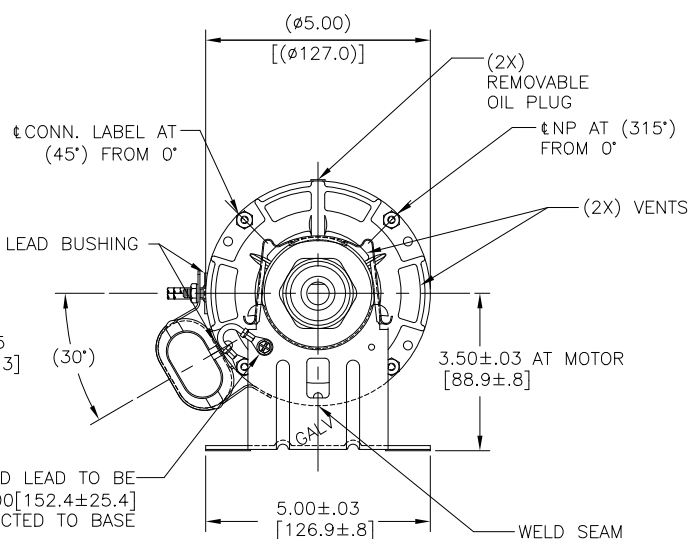
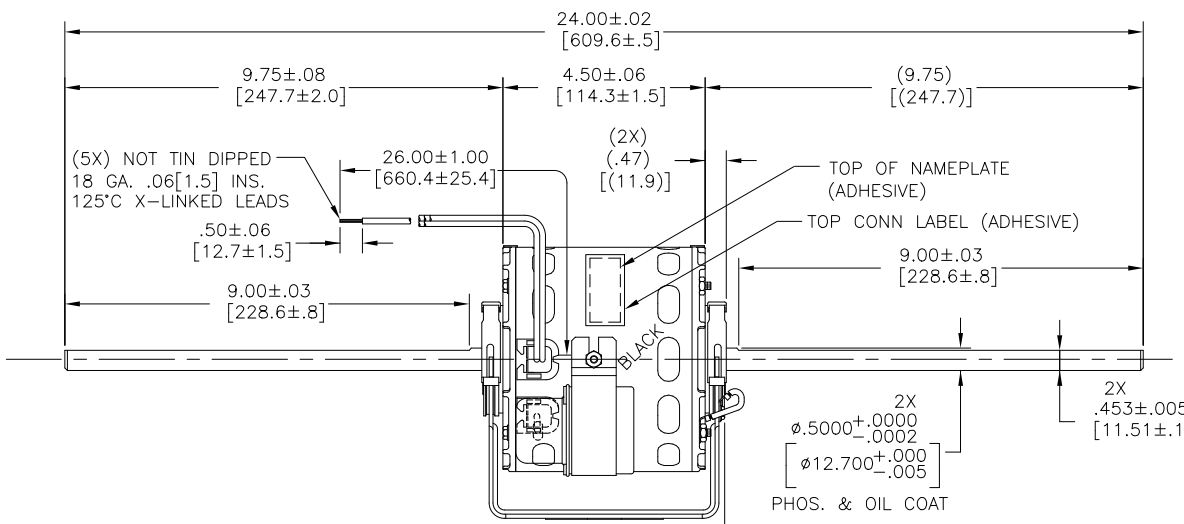
Technical Specifications

Electrical Type	Permanent Split Capacitor	Starting Method	Across The Line
Poles	4	Rotation	Counterclockwise Lead End
Mounting	Resilient Base	Motor Orientation	Horizontal
Drive End Bearing	Sleeve	Opp Drive End Bearing	Sleeve
Frame Material	Rolled Steel	Shaft Type	Flat
Overall Length	24.00 in	Frame Length	3.92 in
Shaft Diameter	0.500 in	Shaft Extension	9.8X.5X9.8 in
Outline Drawing	9476A-S01		

This is an uncontrolled document once printed or downloaded and is subject to change without notice. Date Created:12/20/2022

CUSTOMER IS SOLELY RESPONSIBLE FOR MOTOR PERFORMANCE AND SUITABILITY IN APPLICATIONS FOR CUSTOMER'S USES.

ENDPLAY .005[.13] MIN - .040[1.02] MAX
 MAXIMUM SHAFT RUN OUT .001[.03] PER INCH
 MAXIMUM RUN OUT NOT TO EXCEED .0075[.191]



NAMEPLATE DATA:
 TIPP CITY, OHIO THERMALLY PROTECTED

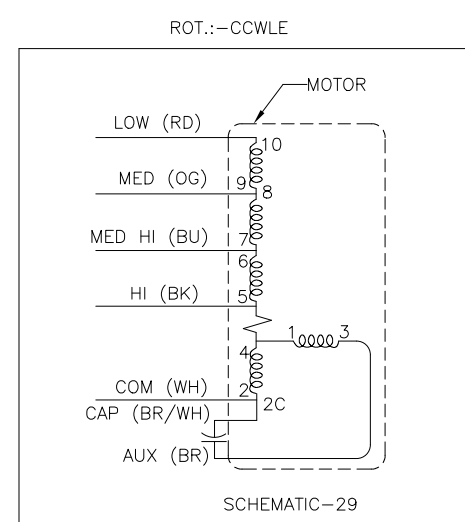
SER. DATE & PO# PLT LTR MOD DE2F103N' []
 VOLTS 115 HZ 60 AMPS
 RPM 1625 SP4 PH1 CAP 5MFD 370VAC
 INS CLB AMB 40°C HP CONT AO ← ROT →
 BRG SLV ASSEMBLED IN MEXICO
 BK-HIGH 2.2A 1/6HP
 BU-MED HIGH 1.6A 1/8HP
 OG-MED 1.1A 1/10HP RD-LOW 0.9A 1/15HP
 WH-COM BR & BR/WH-CAP

SEE NOTE

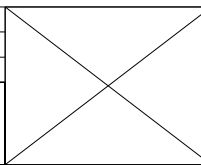
NOTE:

1. DISTRIBUTION: CUST. P/N: 9476A
2. GRAINGER: CUST. P/N: 4UU22

ELECTRICALLY PER SAMPLE S-9867E PERFORMANCE CURVE NO. C32335



DRAWING REVISION	REVISION BY	DATE
J	J. RUPERT	08-26-2022
ECO	APPROVED BY	DATE
ECR-0220457	J. RUPERT	08-26-2022
ECO DESCRIPTION		
REVISED FOR UP ISSUE		
<small>COPYRIGHT REGAL BELTO AMERICA, INC. ALL RIGHTS RESERVED. PROPRIETARY AND CONFIDENTIAL INFORMATION - THIS DOCUMENT IS THE PROPERTY OF REGAL BELTO AMERICA, INC. (OWNER) AND CONTAINS OWNER'S PROPRIETARY INFORMATION. ANY PERSON, CORPORATION OR OTHER ENTITY RECEIVING IT IS DEEMED, BY RECEIVING IT, TO AGREE THAT IT, AND/OR ANY PART OF IT, SHALL NOT BE DISCLOSED TO ANY PERSON, CORPORATION OR OTHER ENTITY, DUPLICATED, AND/OR USED, EXCEPT AS EXPRESSLY APPROVED IN WRITING IN ADVANCE BY OWNER. THIS DOCUMENT SHALL BE RETURNED TO OWNER UPON REQUEST. IT MAY BE SUBJECT TO CERTAIN RESTRICTIONS UNDER APPLICABLE EXPORT CONTROL LAWS AND REGULATIONS.</small>		



DRAWN BY:	J. RUPERT
DATE:	08-31-2004
APPROVED BY:	
DATE:	
REFERENCE:	
THIRD ANGLE PROJECTION	

Regal Beloit America, Inc.	
DESCRIPTION	
MODEL-RFHP=42FR OUTLINE	
MATERIAL	PROCESS/FINISH
SIZE	DWG NO
C	9476A
SHEET	1