

PRODUCT INFORMATION PACKET

Model No: 9485

Catalog No: 9485

OEM Replacement Motor, 1/12 HP, 1 Ph, 60 Hz, 208-230 V, 1050/875 RPM, 2 Speed, 4.4" Diameter, OAO



Regal and are trademarks of Regal Rexnord Corporation or one of its affiliated companies.
©2022 Regal Rexnord Corporation, All Rights Reserved. MC017097E

Nameplate Specifications

Output HP	1/12 Hp	Output KW	0.06 kW
Frequency	60 Hz	Voltage	208-230 V
Current	.80/.50 A	Speed	1050/875 rpm
Service Factor	1	Phase	1
Duty	Continuous Air Over	Insulation Class	A
Frame	4.4	Enclosure	Open Air Over
Thermal Protection	Automatic	Ambient Temperature	40 °C
UL	Recognized	CSA	Y
CE	N	Number of Speeds	2

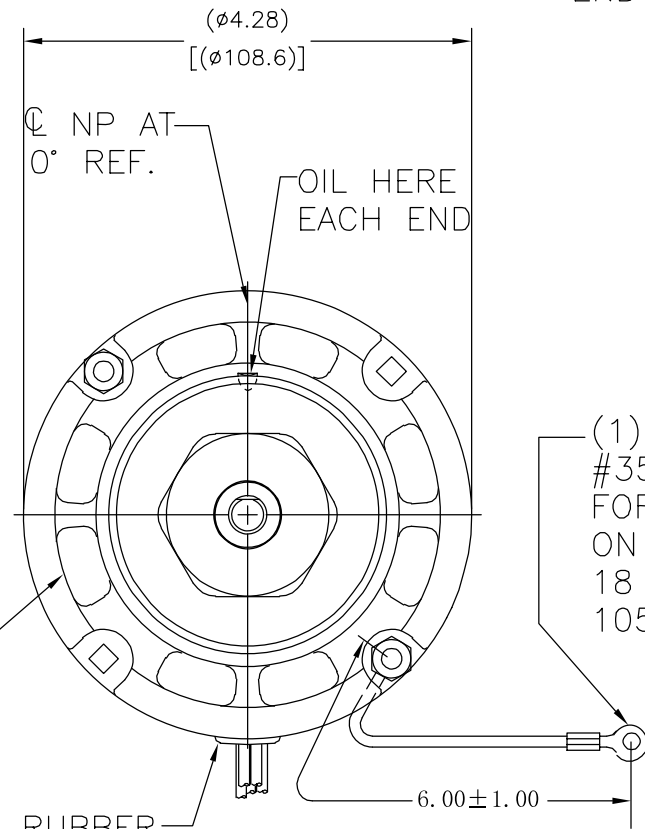
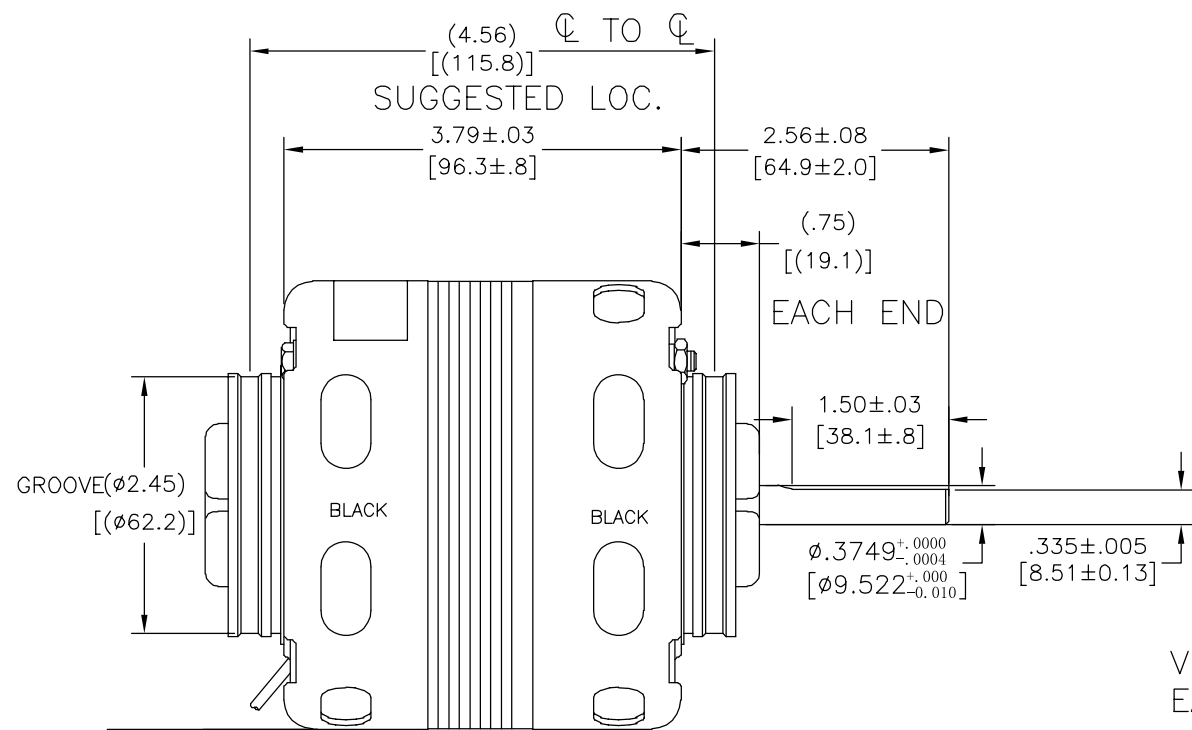
Technical Specifications

Electrical Type	Permanent Split Capacitor	Starting Method	Across The Line
Poles	6	Rotation	Counterclockwise Lead End
Mounting	Resilient Rings	Motor Orientation	Horizontal
Drive End Bearing	Sleeve	Opp Drive End Bearing	Sleeve
Frame Material	N/A	Shaft Type	Flat
Overall Length	7.10 in	Shaft Diameter	0.375 in
Shaft Extension	3/8 X 2 1/2 in		
Outline Drawing	CE3G018-S01		

This is an uncontrolled document once printed or downloaded and is subject to change without notice. Date Created:09/15/2022

CUSTOMER IS SOLELY RESPONSIBLE FOR MOTOR PERFORMANCE AND SUITABILITY IN APPLICATIONS FOR CUSTOMER'S USES

REV	ECO	REV BY	DATE	APPD	DATE
P	0027378	H.REN	07-13-2012	B.SHEN	07-13-2012



END PLAY .04 MAX.

(1) AMP TERM #350436-2 FOR #10 SCREW ON GN GROUND 18 GA. .03 INS. 105°C PVC ON L.E.

SHIP SEPARATE: (1) 72T139A-26 BAG ASSEMBLY

CONN. LABEL

- (2) #63009-2 FOR .032 X .250 TAB ON
- (2) BR CAP LEADS
- (3) NOT TIN DIPPED
- (5) 18 GA. .06 INS. 105°C PVC LEADS

NAMEPLATE DATA:



THERMALLY PROTECTED

Tipp City, OH

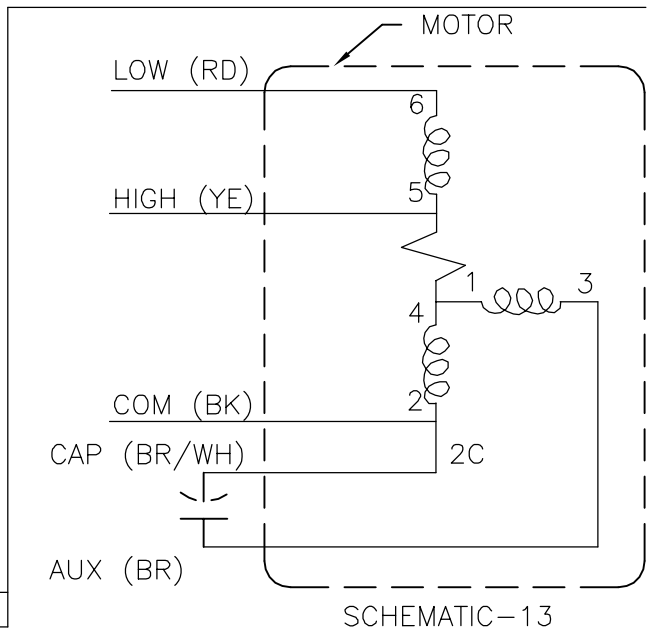


SER. DAT PO,PLT MOD CE3G018N
208-230V 60HZ .8/.5A 1050/875RPM 1/12HP
AO CONT CWSE USE 4MFD 370VAC CAPACITOR

STOCK NO. 9485

CONN. LABEL 63T473-141

ELECTRICALLY PER SAMPLE S-3862E



CCWLE-CWSE BOM CHG [M]

GEOMETRIC CHARACTERISTICS & SYMBOLS

- FLATNESS
- STRAIGHTNESS
- ∠ ANGULARITY
- ⊥ PERPENDICULARITY (SQUARENESS)
- // PARALLELISM
- ROUNDNESS (CIRCULARITY)
- ∅ CYLINDRICITY
- △ PROFILE OF ANY SURFACE
- ∩ PROFILE OF ANY LINE
- ↗ RUNOUT
- ⊕ TRUE POSITION
- ◎ CONCENTRICITY
- ≡ SYMMETRY

ASME Y14.5M 1994

UNLESS OTHERWISE SPECIFIED DIM. TOLERANCES ARE AS FOLLOWS:

INCH	±.1	±.02	±.005	±.0005
mm	±0.5	±0.13	±0.013	

ANG. ±.50 DEG
REMOVE BURRS & BREAK SHARP EDGES:
INCH .003-.015 mm 0.1-0.4
CORNER FILLETS TO:
INCH .020 mm 0.5
MACHINE SURFACES:
INCH 125 mm 3.2

METRIC DIMS. SHOWN IN [BRACKETS]

DR BY: .
APPD: .
THIRD ANGLE PROJECTION

EDS DATE 11-11-2011
FORMAT REV H

CONFIDENTIAL: THIS DRAWING AND ITS INFORMATION ARE THE EXCLUSIVE AND CONFIDENTIAL PROPERTY OF REGAL-BELOIT CORPORATION AND ARE NOT TO BE DISCLOSED, DUPLICATED, DISTRIBUTED OR OTHERWISE USED WITHOUT THE WRITTEN CONSENT OF REGAL-BELOIT CORPORATION. -ALL RIGHTS RESERVED.

REGAL REGAL-BELOIT CORPORATION	
DESCRIPTION	OUTLINE
SIZE C	DWG NO CE3G018
SCALE NONE	SHEET 1

