

PRODUCT INFORMATION PACKET



Model No: 9614

Catalog No: 9614

Fan Coil & Air Conditioner Motor, 1/10, 1/5 HP, 1 Ph, 60 Hz, 208-230 V, 1550 RPM, 2 Speed,
42 Frame, OAO



Regal and Century are trademarks of Regal Rexnord Corporation or one of its affiliated companies.
©2022 Regal Rexnord Corporation, All Rights Reserved. MC017097E





Nameplate Specifications

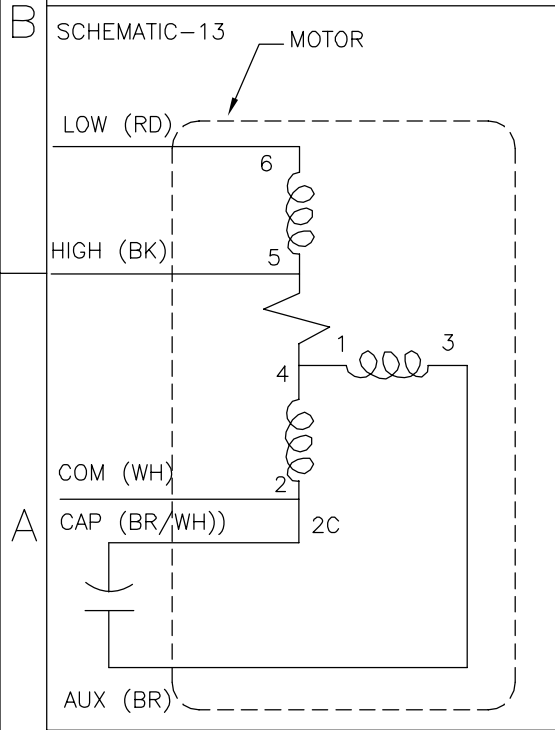
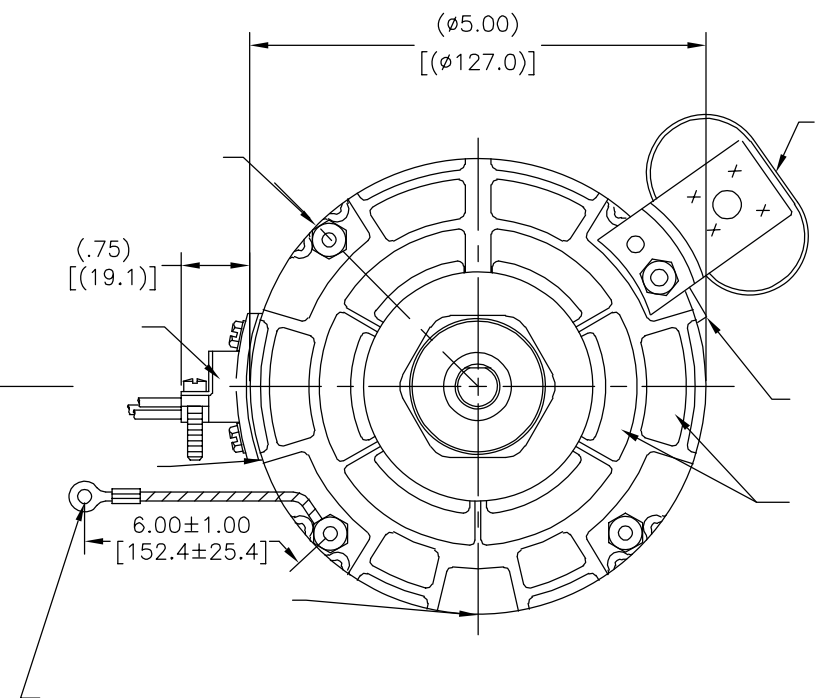
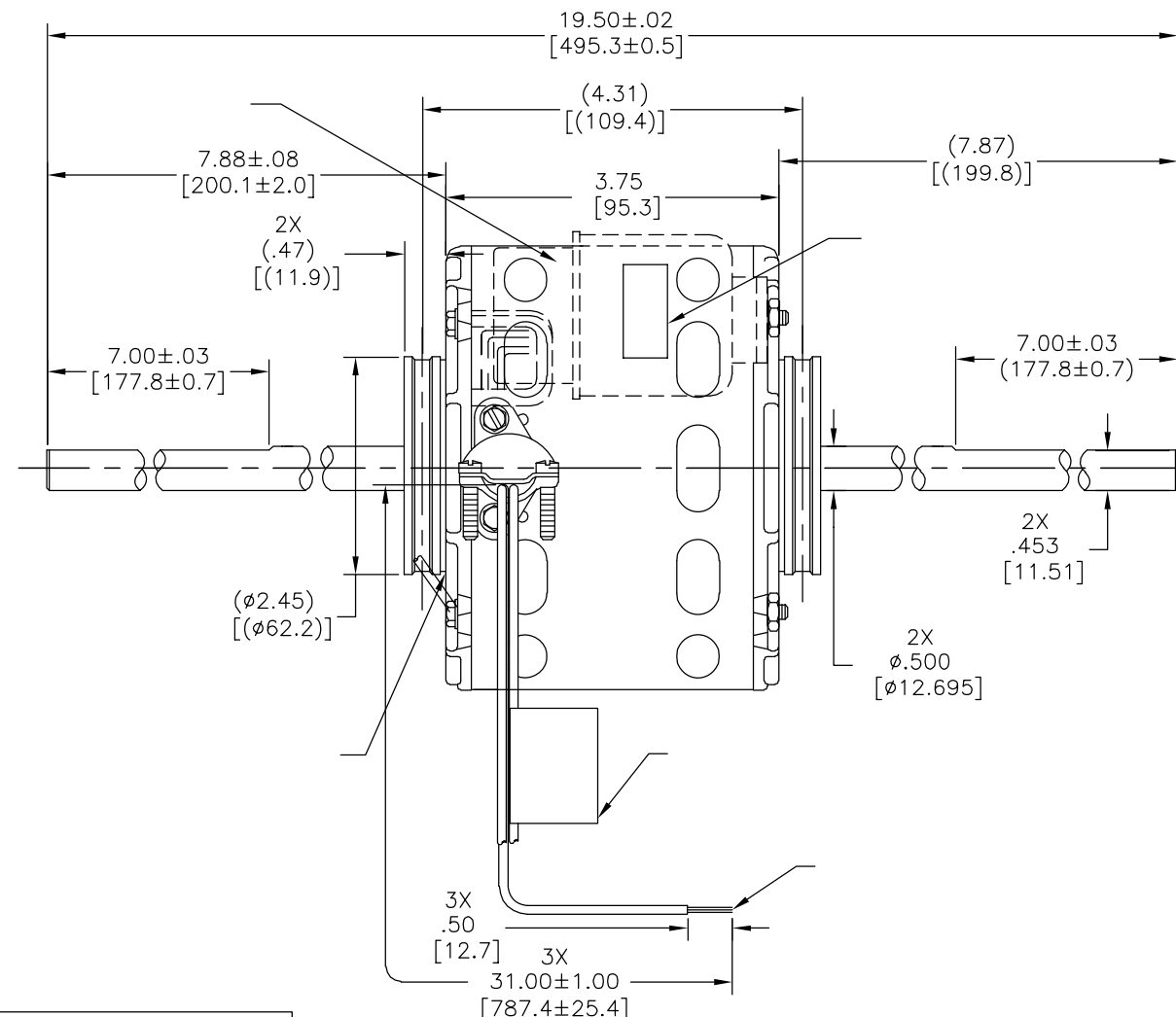
Output HP	1/10, 1/5 Hp	Output KW	0.07 kW
Frequency	60 Hz	Voltage	208-230 V
Current	1.3 A	Speed	1550 rpm
Service Factor	1	Phase	1
Duty	Continuous Air Over	Insulation Class	B
Frame	42	Enclosure	Open Air Over
Thermal Protection	Automatic	Ambient Temperature	40 °C
UL	Recognized	CSA	Y
CE	N	Number of Speeds	2

Technical Specifications

Electrical Type	Permanent Split Capacitor	Starting Method	Across The Line
Poles	4	Rotation	Counterclockwise Lead End
Mounting	Resilient Rings	Motor Orientation	Horizontal
Drive End Bearing	Sleeve	Opp Drive End Bearing	Sleeve
Frame Material	Rolled Steel	Shaft Type	Flat
Overall Length	19.50 in	Frame Length	3.17 in
Shaft Diameter	0.500 in	Shaft Extension	7 7/8 in
Outline Drawing	DE2F7096-S01		

This is an uncontrolled document once printed or downloaded and is subject to change without notice. Date Created:11/29/2022

版本	ECO	编制	日期	批准	日期
D	0032727	F.NAVARRO	05-03-2013	T.REYES	05-03-2013



ROT: CCWLE

Century Tipp City, OH
THERMALLY PROTECTED

SER. DATE & PO# PLT LTR MOD DE2F096N STK NO.9614
VOLTS 208-230 HZ 60 AMPS
RPM1550 SP2 PH1 CAP5MDF 370VAC
INS CLB AMB40°C HP CONT AO ← ROTATION
BRG SLV ASSEMBLED IN MEXICO
RD-LOW 1/10HP 1.3A
BK-HIGH 1/5HP 2.8A
WH-COM BR & BR/WH-CAP

- 形位公差
- 平面度
- 直线度
- ∠ 倾斜度
- ⊥ 垂直度
- // 平行度
- 圆度
- ⊘ 圆柱度
- ⌒ 面轮廓度
- △ 线轮廓度
- ↻ 圆跳动
- ⊕ 位置度
- ⊙ 同轴度
- ≡ 对称度

REGAL-BELOIT CORPORATION (RBC) 在个别领域为客户提供技术支持。鉴于RBC未收到任何涉及电机使用和应用环境的数据，电机的适用性由客户自己决定。

未注公差尺寸仅供参考。

ASME Y14.5M 1994

绘图: TLB 02-14-2010
批准: DTS
第三角投影
机密: 本图纸及相关信息所有权归REGAL-BELOIT CORPORATION。未经REGAL-BELOIT CORPORATION书面授权，不得泄露、复制或传播作其他用途。—版权所有

REGAL REGAL-BELOIT CORPORATION

名称: MODEL-RFHP-42FR OUTLINE
图幅: C 图号: DE2F7096
比例: NONE 页号: 1

4

3

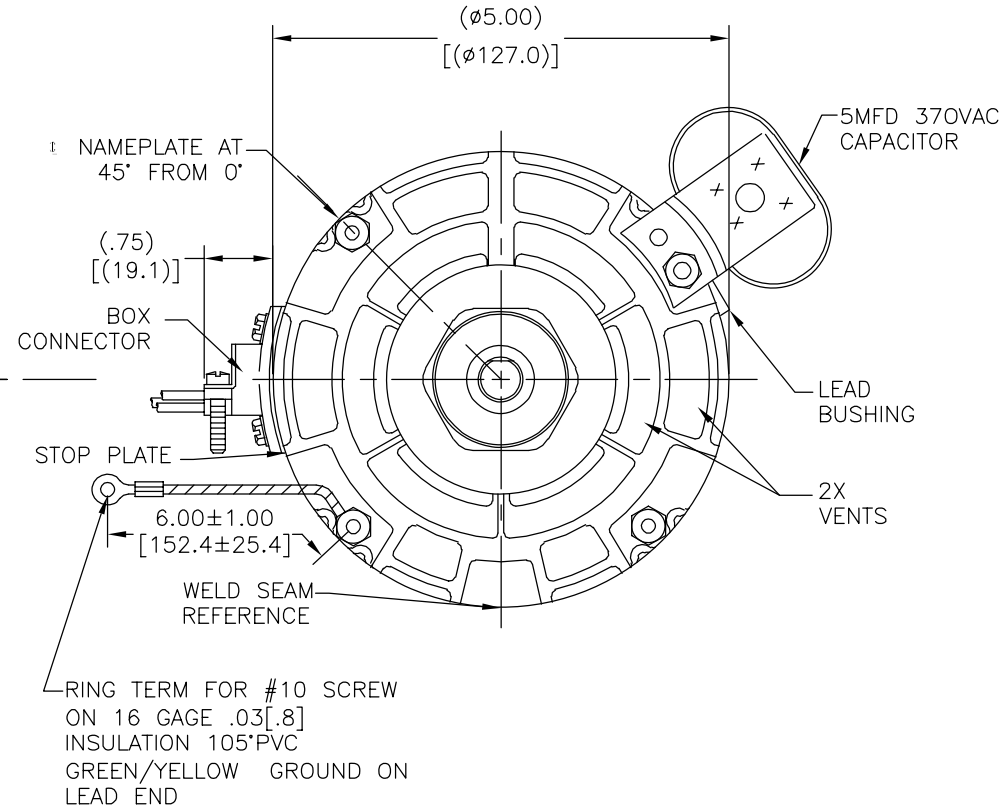
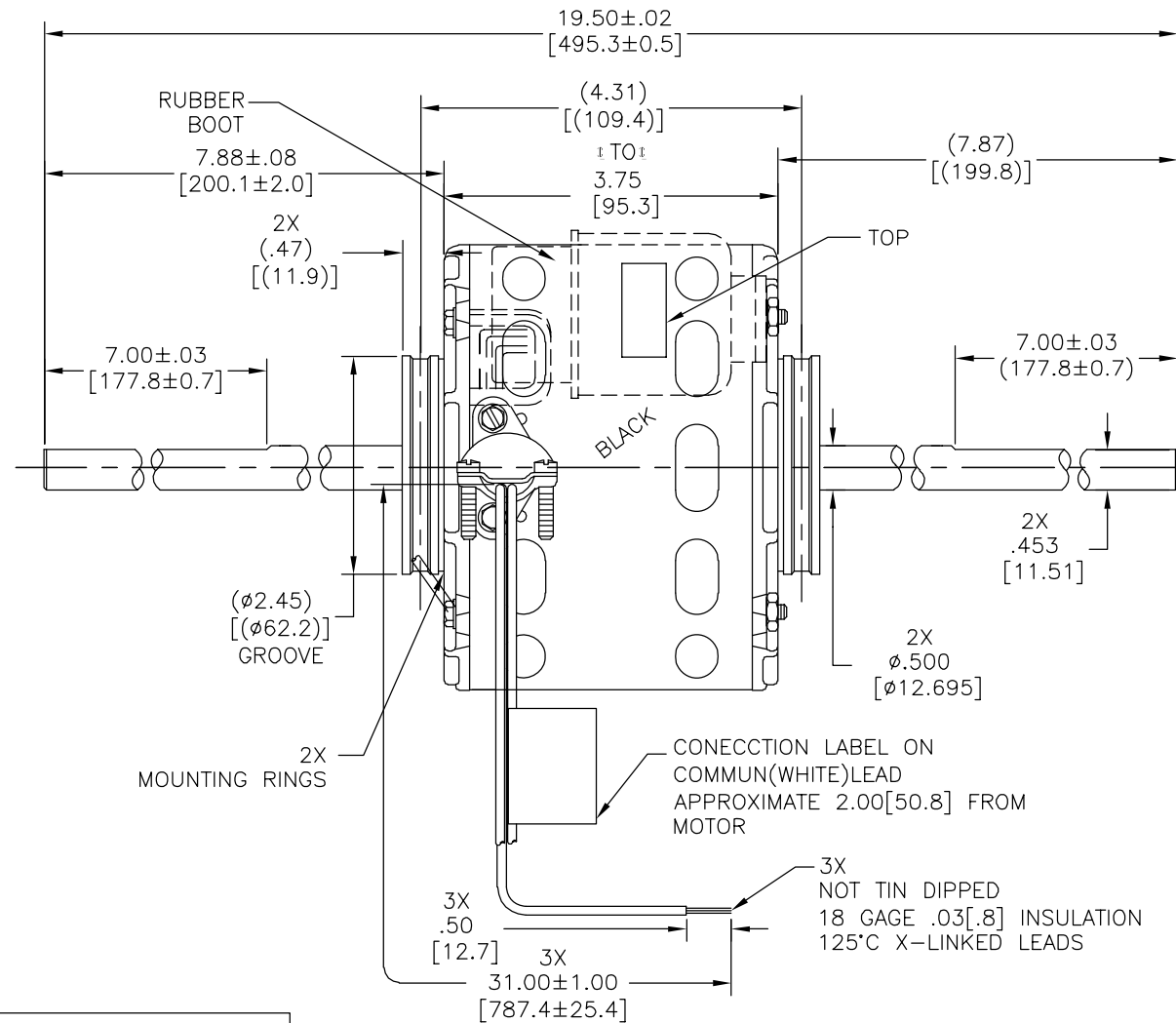
2

1

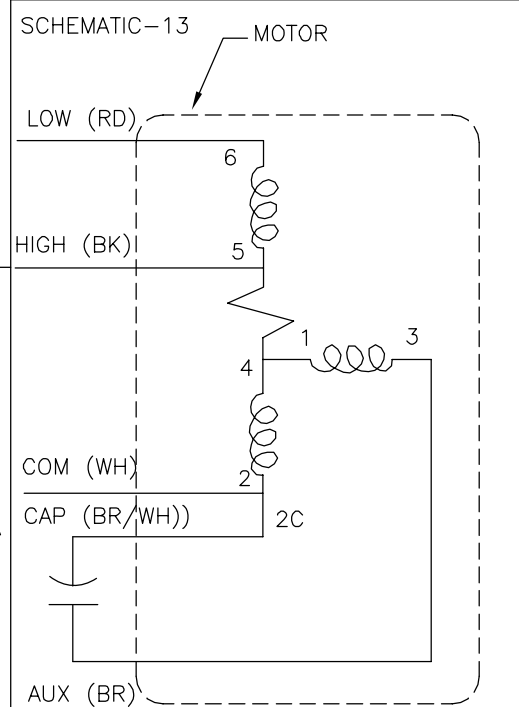
CUSTOMER IS SOLELY RESPONSIBLE FOR MOTOR PERFORMANCE AND SUITABILITY IN APPLICATIONS FOR CUSTOMER'S USES

REV	ECO	REV BY	DATE	APPD	DATE
D	0032727	F.NAVARRO	05-03-2013	T.REYES	05-03-2013

END PLAY .005[.13] MINIMUM-.040 [1.02] MAXIMUM
 MAXIMUM SHAFT RUN OUT .001[.03] PER INCHES
 MAXIMUM RUN OUT NOT EXCEED .0075[.191]



CONNECTION LABEL 63T7433-191



ROT: CCWLE

NAMEPLATE DATA:

Century Tipp City, OH THERMALLY PROTECTED

SER. DATE & PO# PLT LTR MOD DE2F096N STK NO.9614
 VOLTS 208-230 HZ 60 AMPS
 RPM1550 SP2 PH1 CAP5MDF 370VAC
 INS CLB AMB40°C HP CONT AO ← ROTATION
 BRG SLV ASSEMBLED IN MEXICO
 RD-LOW 1/10HP 1.3A
 BK-HIGH 1/5HP 2.8A
 WH-COM BR & BR/WH-CAP

ELECTRICALLY PER SAMPLE S-1753F

GEOMETRIC CHARACTERISTICS & SYMBOLS

- ▭ FLATNESS
- STRAIGHTNESS
- ∠ ANGULARITY
- ⊥ PERPENDICULARITY (SQUARENESS)
- ∥ PARALLELISM
- ROUNDNESS (CIRCULARITY)
- ⊘ CYLINDRICITY
- △ PROFILE OF ANY SURFACE
- ▽ PROFILE OF ANY LINE
- ↯ RUNOUT
- ⊕ TRUE POSITION
- ◎ CONCENTRICITY
- ≡ SYMMETRY

ASME Y14.5M 1994

REGAL-BELOIT CORPORATION (RBC) PROVIDES TECHNICAL ASSISTANCE TO OUR CUSTOMERS IN SEVERAL AREAS. SINCE RBC DOES NOT RECEIVE ALL DATA CONCERNING THE USE AND APPLICATION OF THE MOTOR, THE SUITABILITY OF THE MOTOR FOR THE APPLICATION MUST BE DETERMINED BY THE CUSTOMER.

DIMENSIONS WITHOUT TOLERANCES ARE FOR REFERENCE ONLY.

DR BY:	TLB	02-14-2010
APPD:	DTS	
THIRD ANGLE PROJECTION		EDS DATE 11-11-2011 FORMAT REV H
CONFIDENTIAL: THIS DRAWING AND ITS INFORMATION ARE THE EXCLUSIVE AND CONFIDENTIAL PROPERTY OF REGAL-BELOIT CORPORATION AND ARE NOT TO BE DISCLOSED, DUPLICATED, DISTRIBUTED OR OTHERWISE USED WITHOUT THE WRITTEN CONSENT OF REGAL-BELOIT CORPORATION. -ALL RIGHTS RESERVED.		

REGAL REGAL-BELOIT CORPORATION	
DESCRIPTION MODEL-RFHP-42FR OUTLINE	
SIZE C	DWG NO DE2F7096
SCALE NONE	SHEET 1

4

3

2

1

4

3

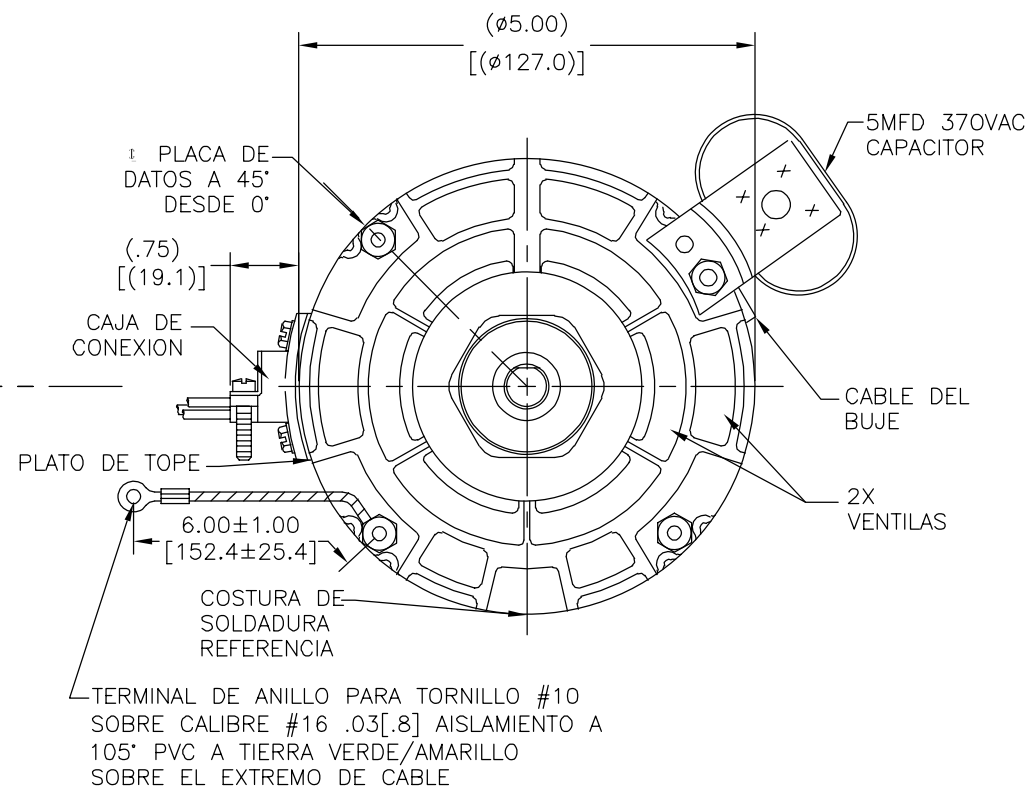
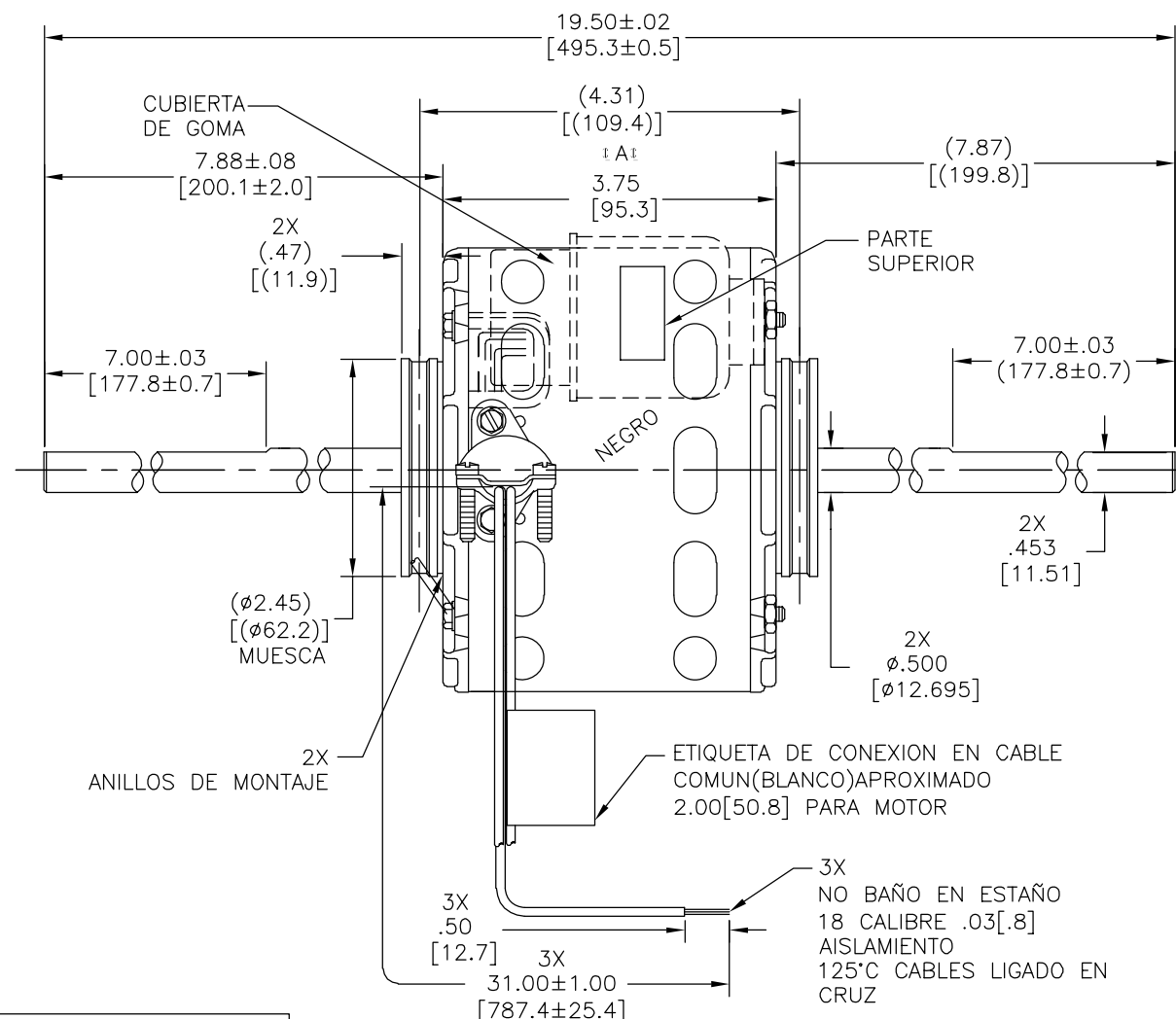
2

1

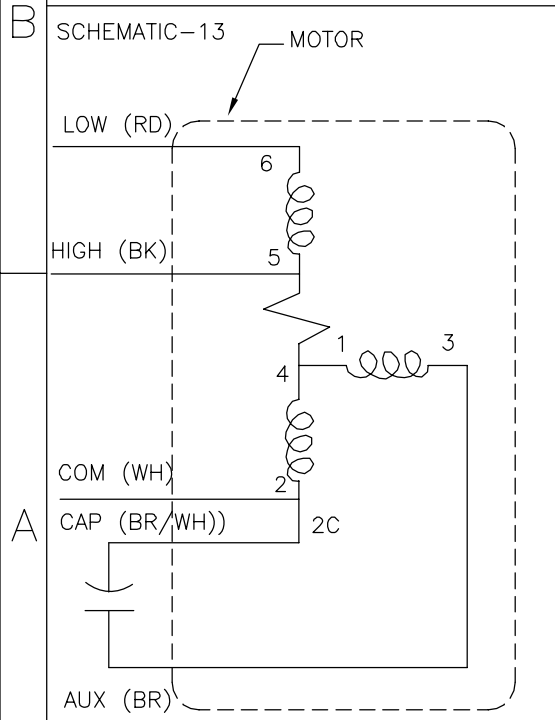
EL CLIENTE ES UNICAMENTE RESPONSABLE POR EL DESEMPEÑO DEL MOTOR Y APLICACIONES APROPIADAS PARA USO DE CLIENTE

REVISION:	ECO	REVISADO POR:	FECHA:	APROBADO POR:	FECHA:
D	0032727	F.NAVARRO	05-03-2013	T.REYES	05-03-2013

JUEGO AXIAL .005[.13] MINIMO-.040 [1.02] MAXIMO
 OSCILAMIENTO MAXIMO EN FLECHA .001[.03] POR PULGADA
 OSCILAMIENTO MAXIMO NO EXCEDERA DE .0075[.191]



ETIQUETA DE CONEXION
63T7433-191



ROT: CCWLE

PLACA DE DATOS:

Century Tipp City, OH
THERMALLY PROTECTED

SER. DATE & PO# PLT LTR MOD DE2F096N STK NO.9614
 VOLTS 208-230 HZ 60 AMPS
 RPM1550 SP2 PH1 CAP5MDF 370VAC
 INS CLB AMB40°C HP CONT AO ← ROTATION
 BRG SLV ASSEMBLED IN MEXICO
 RD-LOW 1/10HP 1.3A
 BK-HIGH 1/5HP 2.8A
 WH-COM BR & BR/WH-CAP

ELECTRICAMENTE DE ACUERDO
A MUESTRA S-1753F

CARACTERISTICAS DE GEOMETRIA Y SIMBOLOS

- PLANICIDAD
- RECTITUD
- ∠ ANGULARIDAD
- ⊥ PERPENDICULARIDAD (A ESCUADRA)
- ∥ PARALELISMO
- REDONDEZ (CIRCULARIDAD)
- ⊘ CILINDRICIDAD
- △ PERFIL DE CUALQUIER SUPERFICIE
- ∩ PERFIL DE CUALQUIER LINEA
- ∠ VARIACION
- ⊕ POSICION REAL
- ◎ CONCENTRICIDAD
- ≡ SIMETRIA

ASME Y14.5M 1994

REGAL-BELOIT CORPORATION (RBC) PROVEE ASISTENCIA TECNICA A NUESTROS CLIENTES EN VARIAS AREAS. DESDE QUE RBC NO RECIBE TODOS LOS DATOS EN RELACION AL USO Y A LA APLICACION DEL MOTOR, LA APLICACION ADECUADA DEL MOTOR DEBE SER DETERMINADA POR EL CLIENTE.

DIMENSIONES SIN TOLERANCIA SON DE REFERENCIA SOLAMENTE

DIBUJADO POR:	TLB	02-14-2010
APROBADO POR:	DTS	
TERCER ANGULO DE PROYECCION	⊕	FECHA EDS: 11-11-2011 REV. FORMATO: H
CONFIDENCIAL: ESTE DIBUJO Y SU INFORMACION SON PROPIEDAD DE USO EXCLUSIVO Y CONFIDENCIAL DE REGAL-BELOIT CORPORATION. Y NO DEBERAN SER REVELADOS, DUPLICADOS, DISTRIBUIDOS O USARSE DE OTRA MANERA SIN EL CONSENTIMIENTO ESCRITO DE REGAL-BELOIT CORPORATION. -TODOS LOS DERECHOS RESERVADOS.		

REGAL REGAL-BELOIT CORPORATION	
DESCRIPCION: MODEL-RFHP-42FR OUTLINE	
TAMAÑO: C	NUMERO DE DIBUJO: DE2F7096
ESCALA: NONE	HOJA: 1

4

3

2

1