

PRODUCT INFORMATION PACKET



Model No: 9632
Catalog No: 9632

OEM Replacement Motor, 1/15 HP, 1 Ph, 60/50 Hz, 208-230 V, 1300/1550 RPM, 1 Speed, 3.3" Diameter,
OAO



Regal and Century are trademarks of Regal Rexnord Corporation or one of its affiliated companies.
©2022 Regal Rexnord Corporation, All Rights Reserved. MC017097E





Nameplate Specifications

Output HP	1/15 Hp	Output KW	0.05 kW
Frequency	50 Hz	Voltage	208-230 V
Current	1.0/1.2 A	Speed	1300/1550 rpm
Service Factor	1	Phase	1
Duty	Continuous Air Over	Insulation Class	B
Frame	3.3	Enclosure	Open Air Over
Thermal Protection	Thermally Protected	Ambient Temperature	40 °C
UL	Recognized	CSA	Y
CE	N	Number of Speeds	1

Technical Specifications

Electrical Type	Shaded Pole	Starting Method	Across The Line
Poles	4	Rotation	Clockwise Shaft End
Mounting	Extended Studs	Drive End Bearing	Sleeve
Opp Drive End Bearing	Sleeve	Frame Material	Rolled Steel
Shaft Type	Flat	Shaft Diameter	0.312 in
Shaft Extension	1 1/2 in		
Outline Drawing	18810001-S01		

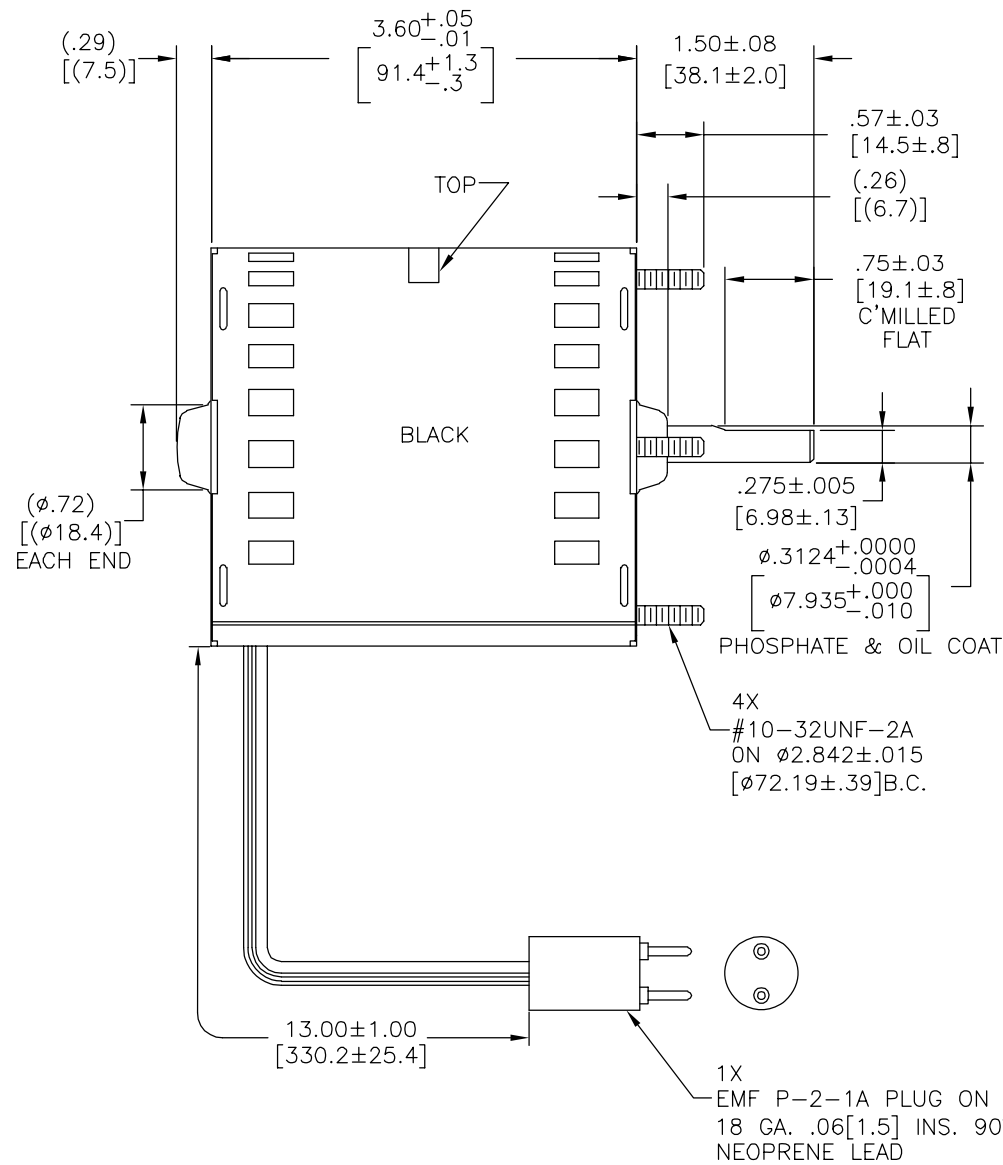
This is an uncontrolled document once printed or downloaded and is subject to change without notice. Date Created:11/29/2022

CUSTOMER IS SOLELY RESPONSIBLE FOR MOTOR PERFORMANCE AND SUITABILITY IN APPLICATIONS FOR CUSTOMER'S USES

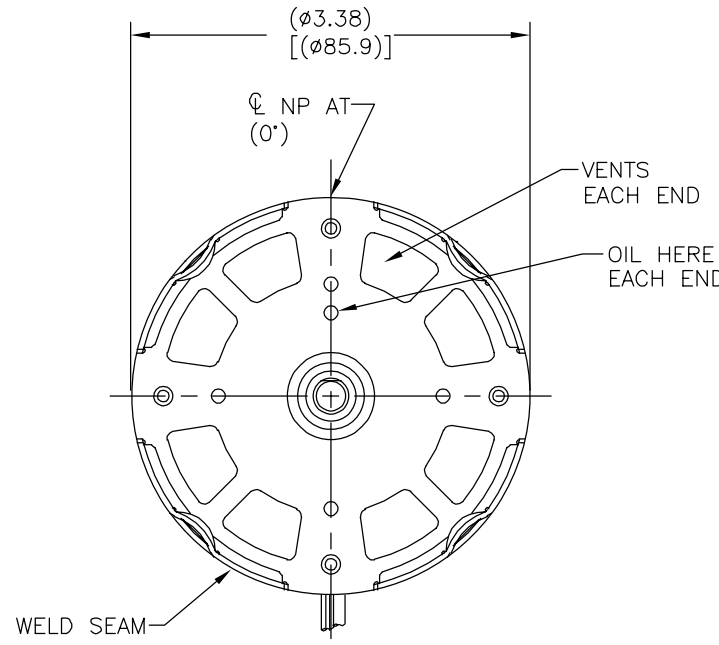
REV	ECO	REV BY	DATE	APPD	DATE
D	0027407	F.NAVARRO	07-13-2012	M.AVILA	07-13-2012

JA2Y057N"

JA2Y057N"



END PLAY .04[1.0] MAX.



NAMEPLATE DATA:



THERMALLY PROTECTED

Tipp City, OH



SER. DATE, PLT MOD JA2Y057N" STK. NO. 9632
 208-230V 50/60HZ 1.0/1.2A 1300/1550RPM
 1/15HP 1PH CONT. A.O. CLASS B INS. MAX. AMB. 40°C
 ASSEMBLED IN MEXICO ← ROTATION →

ELECTRICALLY PER SAMPLE S-8617E

CCWLE-CWSE

AFTERMARKET STK. NO. 9632

GEOMETRIC CHARACTERISTICS & SYMBOLS

- ▭ FLATNESS
- STRAIGHTNESS
- ∠ ANGULARITY
- ⊥ PERPENDICULARITY (SQUARENESS)
- // PARALLELISM
- ROUNDNESS (CIRCULARITY)
- ⊘ CYLINDRICITY
- △ PROFILE OF ANY SURFACE
- ∩ PROFILE OF ANY LINE
- ↗ RUNOUT
- ⊕ TRUE POSITION
- ◎ CONCENTRICITY
- ≡ SYMMETRY

ASME Y14.5M 1994

UNLESS OTHERWISE SPECIFIED DIM. TOLERANCES ARE AS FOLLOWS:

INCH X XX XXX XXXX
 ±.1 ±.02 ±.005 ±.0005
 mm ±0.5 ±0.13 ±0.013

ANG. ±.50 DEG
 REMOVE BURRS & BREAK SHARP EDGES:
 INCH .003-.015 mm 0.1-0.4

CORNER FILLETS TO:
 INCH .020 mm 0.5

MACHINE SURFACES:
 INCH 125 mm 3.2

METRIC DIMS. SHOWN IN [BRACKETS]

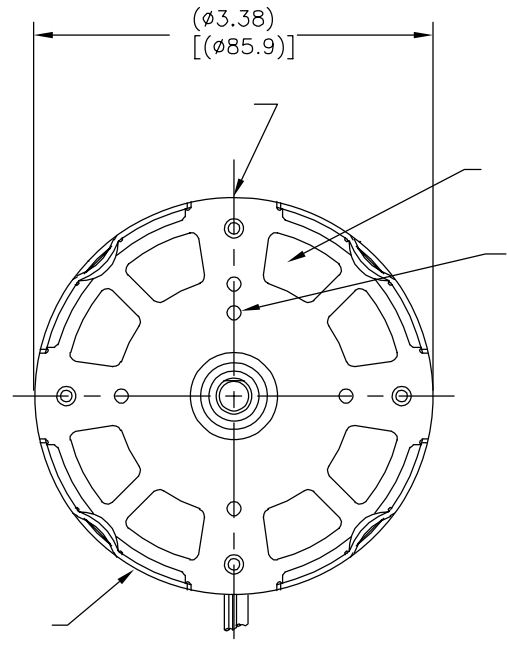
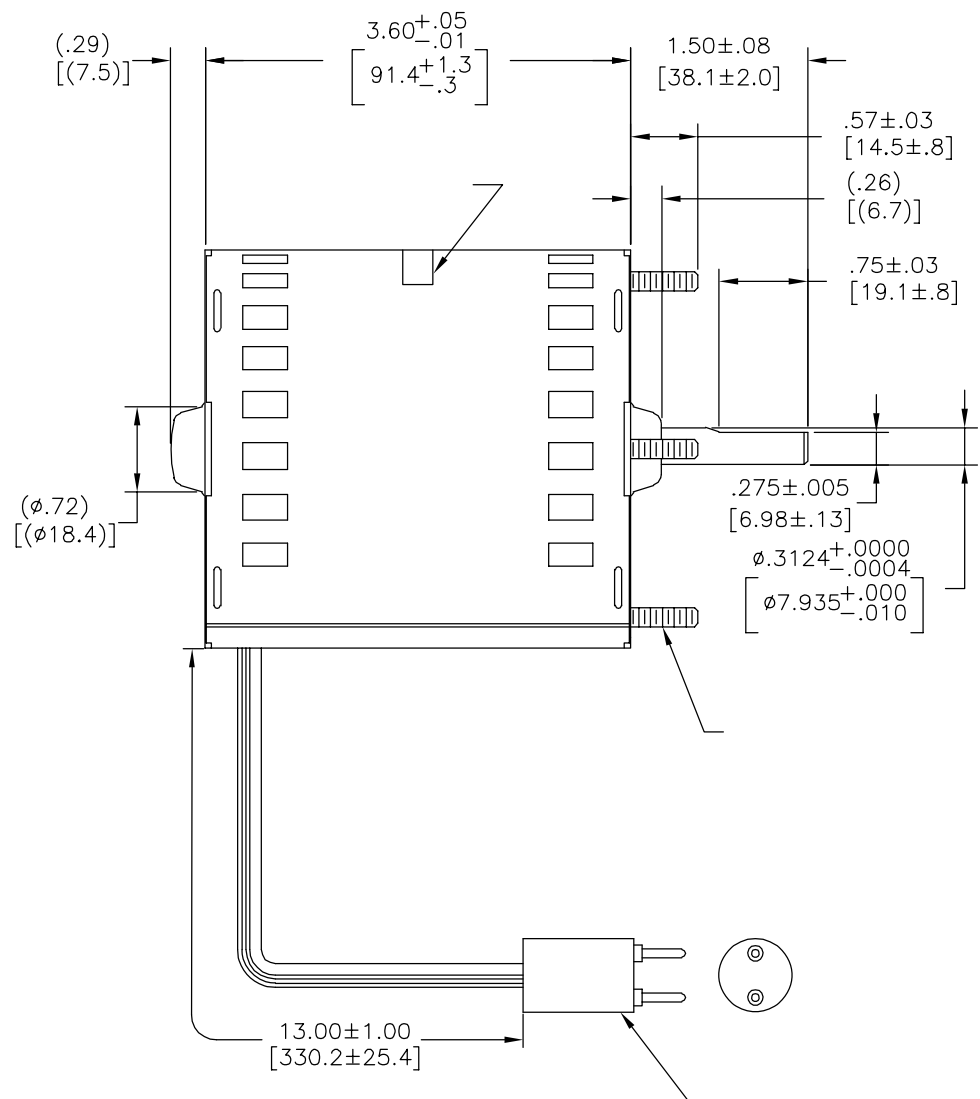
DR BY:	TGARET	04-22-2004
APPD:		
THIRD ANGLE PROJECTION	EDS DATE 11-11-2011	FORMAT REV H
CONFIDENTIAL: THIS DRAWING AND ITS INFORMATION ARE THE EXCLUSIVE AND CONFIDENTIAL PROPERTY OF REGAL-BELOIT CORPORATION AND ARE NOT TO BE DISCLOSED, DUPLICATED, DISTRIBUTED OR OTHERWISE USED WITHOUT THE WRITTEN CONSENT OF REGAL-BELOIT CORPORATION. -ALL RIGHTS RESERVED.		

REGAL REGAL-BELOIT CORPORATION	
DESCRIPTION	
MODEL-SFHP-3.3 OUTLINE	
SIZE C	DWG NO 18810001
SCALE NONE	SHEET 1

REVISION:	ECO	REVISADO POR:	FECHA:	APROBADO POR:	FECHA:
D	0027407	F.NAVARRO	07-13-2012	M.AVILA	07-13-2012

JA2Y057N"

JA2Y057N"



Tipp City, OH
THERMALLY PROTECTED

SER.DATE, PLT MOD JA2Y057N" STK. NO. 9632
208-230V 50/60HZ 1.0/1.2A 1300/1550RPM
1/15HP 1PH CONT. A.O. CLASS B INS. MAX. AMB. 40°C
ASSEMBLED IN MEXICO ← ROTATION →

CCWLE-CWSE

AFTERMARKET
STK. NO. 9632

CARACTERISTICAS DE GEOMETRIA Y SIMBOLOS

- ▮ PLANICIDAD
- RECTITUD
- ∠ ANGULARIDAD
- ⊥ PERPENDICULARIDAD (A ESCUADRA)
- // PARALELISMO
- REDONDEZ (CIRCULARIDAD)
- ⊘ CILINDRICIDAD
- △ PERFIL DE CUALQUIER SUPERFICIE
- ∧ PERFIL DE CUALQUIER LINEA
- ↑ VARIACION
- ⊕ POSICION REAL
- ◎ CONCENTRICIDAD
- ≡ SIMETRIA

ASME Y14.5M 1994

A MENOS QUE SE ESPECIFIQUE DE OTRA MANERA, LAS TOLERANCIAS DE LAS DIMS; SON LAS SIGUIENTES:

PULG	±.1	±.02	±.005	±.0005
mm	±0.5	±0.13	±0.013	

ANG. ±.50 GRADOS
ELIMINAR REBABAS Y ORILLAS FILOSAS DEL BORDE.
PULG .003-.015 mm 0.1-0.4
FILETEAR ESQUINA: PULG .020 mm 0.5
MAQUINAR SUPERFICIES
PULG 125 mm .32

DIMS METRICAS MOSTRADAS [PARENTESIS]

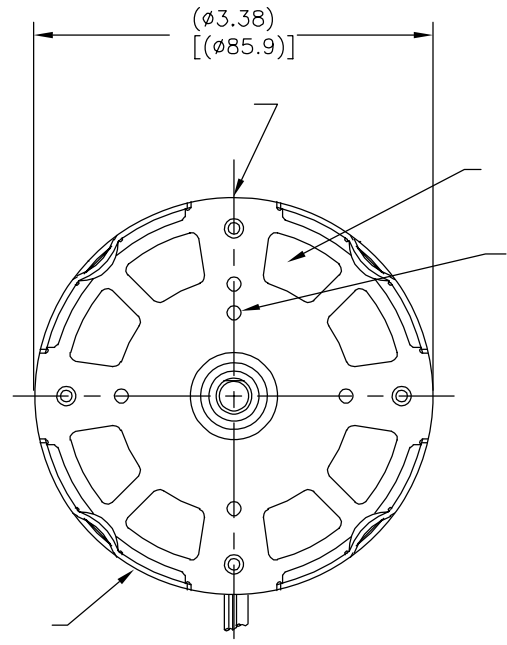
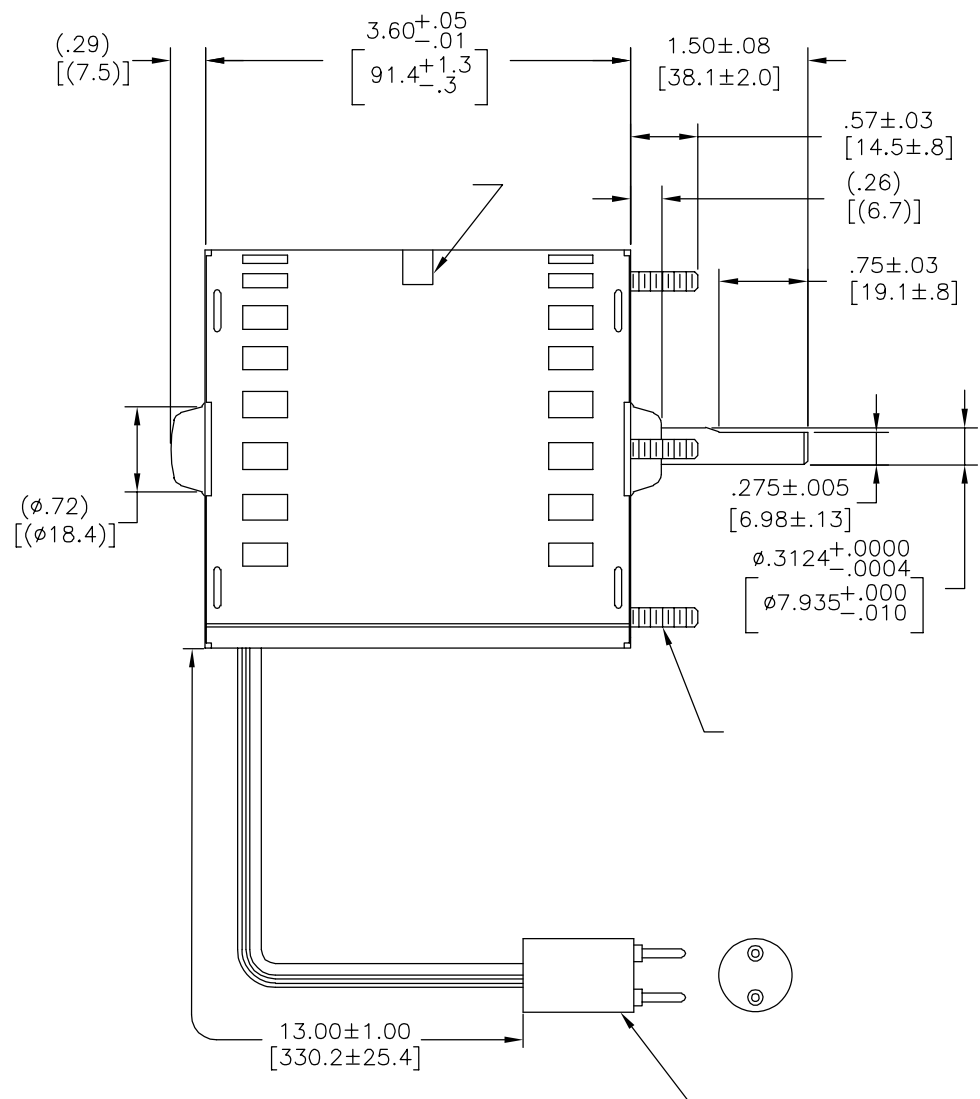
DIBUJADO POR:	TGARET	04-22-2004
APROBADO POR:		
TERCER ANGULO DE PROYECCION	⊕	FECHA EDS: 11-11-2011 REV. FORMATO: H
CONFIDENCIAL: ESTE DIBUJO Y SU INFORMACION SON PROPIEDAD DE USO EXCLUSIVO Y CONFIDENCIAL DE REGAL-BELOIT CORPORATION. Y NO DEBERAN SER REVELADOS, DUPLICADOS, DISTRIBUIDOS O USARSE DE OTRA MANERA SIN EL CONSENTIMIENTO ESCRITO DE REGAL-BELOIT CORPORATION. -TODOS LOS DERECHOS RESERVADOS.		

REGAL REGAL-BELOIT CORPORATION	
DESCRIPCION: MODEL-SFHP-3.3 OUTLINE	
TAMAÑO: C	NUMERO DE DIBUJO: 18810001
ESCALA:NONE	HOJA: 1

版本	ECO	编制	日期	批准	日期
D	0027407	F.NAVARRO	07-13-2012	M.AVILA	07-13-2012

JA2Y057N"

JA2Y057N"



Tipp City, OH
THERMALLY PROTECTED

SER.DATE, PLT MOD JA2Y057N" STK. NO. 9632
208-230V 50/60HZ 1.0/1.2A 1300/1550RPM
1/15HP 1PH CONT. A.O. CLASS B INS. MAX. AMB. 40°C
ASSEMBLED IN MEXICO ← ROTATION →

CCWLE-CWSE

AFTERMARKET
STK. NO. 9632

形位公差	除另有注明 尺寸公差如下:
□ 平面度	英寸 X ±.1 ±.02 ±.005 ±.0005
— 直线度	毫米 ±0.5 ±0.13 ±0.013
∠ 倾斜度	角度 ±.50 度
⊥ 垂直度	清理毛刺和尖棱
∥ 平行度	英寸 .003-.015 毫米 0.1-0.4
○ 圆度	内圆角
⊘ 圆柱度	英寸 .020 毫米 0.5
△ 面轮廓度	表面粗糙度
∩ 线轮廓度	英制 125 米制 3.2
↗ 圆跳动	米制尺寸显示在 []
⊕ 位置度	
◎ 同轴度	
≡ 对称度	

ASME Y14.5M 1994

绘图:	TGARET	04-22-2004
批准:		
第三角投影		图纸格式发布日期 11-11-2011 图纸格式版本 H
机密: 本图纸及相关信息所有权归REGAL-BELOIT CORPORATION 未经REGAL-BELOIT CORPORATION书面授权, 不得泄露、 复制、传播或作其他用途。—版权所有		

REGAL-BELOIT CORPORATION	
名称	MODEL-SFHP-3.3 OUTLINE
图幅	C
图号	18810001
比例	NONE
页号	1