

# PRODUCT INFORMATION PACKET



Model No: 9633

Catalog No: 9633

OEM Replacement Motor, 1/15 HP, 1 Ph, 60/50 Hz, 115 V, 1350/1640 RPM, 1 Speed, 3.3" Diameter, OAO



Regal and Century are trademarks of Regal Rexnord Corporation or one of its affiliated companies.

©2022 Regal Rexnord Corporation, All Rights Reserved. MC017097E





**Nameplate Specifications**

Output HP	1/15 Hp	Output KW	0.05 kW
Frequency	50 Hz	Voltage	115 V
Current	.8/7 A	Speed	1350/1640 rpm
Service Factor	1	Phase	1
Duty	Continuous Air Over	Insulation Class	B
Frame	3.3	Enclosure	Open Air Over
Thermal Protection	Thermally Protected	Ambient Temperature	40 °C
UL	Recognized	CSA	Y
CE	N	Number of Speeds	1

**Technical Specifications**

Electrical Type	Permanent Split Capacitor	Starting Method	Across The Line
Poles	4	Rotation	Clockwise Shaft End
Mounting	Extended Studs	Drive End Bearing	Sleeve
Opp Drive End Bearing	Sleeve	Frame Material	Rolled Steel
Shaft Type	Flat	Shaft Diameter	0.312 in
Shaft Extension	1 1/2 in		
Outline Drawing	18804701-S01		

This is an uncontrolled document once printed or downloaded and is subject to change without notice. Date Created:11/29/2022

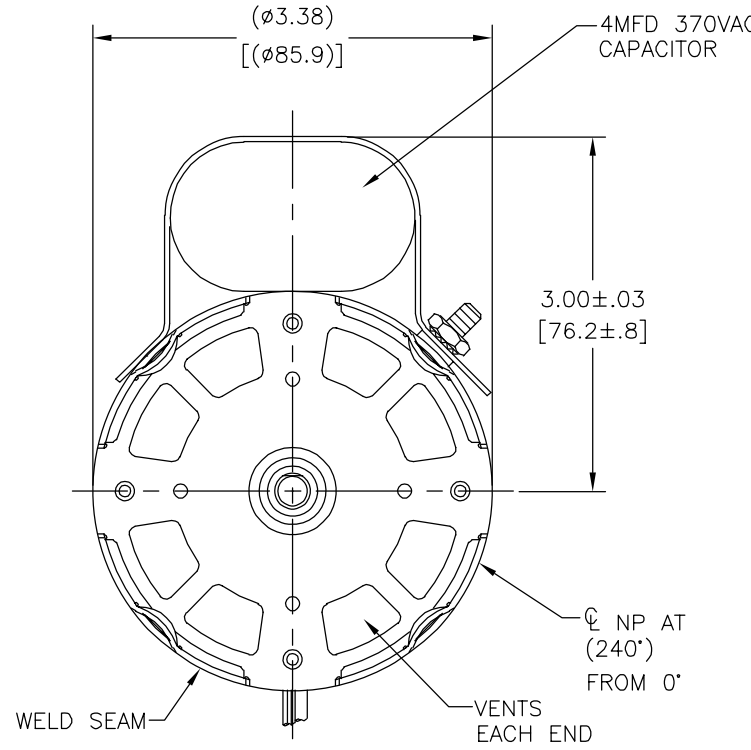
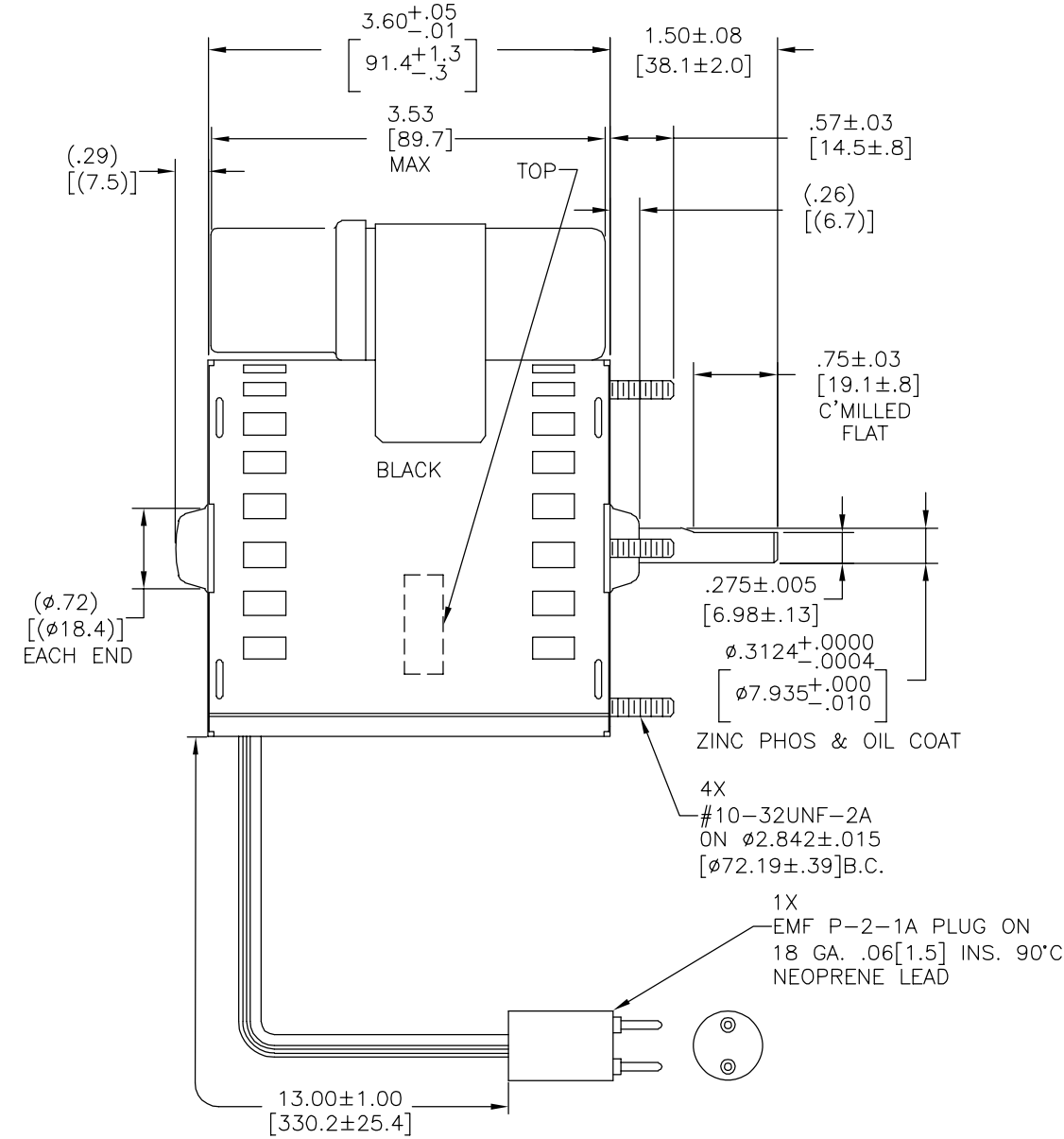
CUSTOMER IS SOLELY RESPONSIBLE FOR MOTOR PERFORMANCE AND SUITABILITY IN APPLICATIONS FOR CUSTOMER'S USES

REV	ECO	REV BY	DATE	APPD	DATE
D	0027407	F.NAVARRO	07-13-2012	M.AVILA	07-13-2012

END PLAY .04[1.0] MAX.

JE2F048N'

JE2F048N'



NAMEPLATE DATA:

**Century** THERMALLY PROTECTED Tipp City, OH

SER. DATE, PLT MOD JE2F048N'

115V 50/60HZ .8/.7A 1350/1640RPM 1/15HP

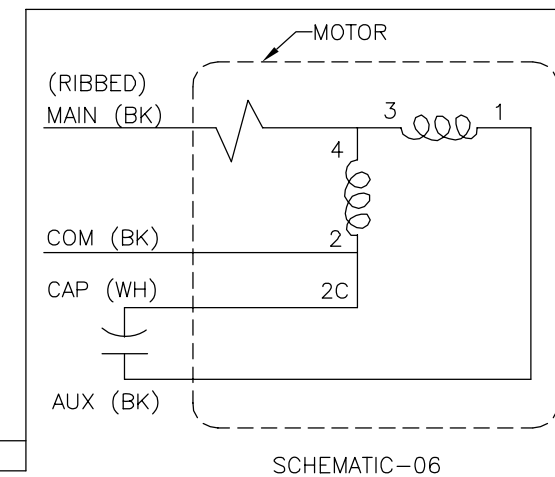
1PH CONT. A.O. CLASS B INS MAX AMB 40°C

4MFD 370VAC CAPACITOR ASSEMBLED IN MEXICO

← ROTATION → STOCK MOTOR 9633

AFTERMARKET

ELECTRICALLY PER SAMPLE S-8767E



CCWLE-CWSE BOM CHG [B]

GEOMETRIC CHARACTERISTICS & SYMBOLS

- FLATNESS
- STRAIGHTNESS
- ∠ ANGULARITY
- ⊥ PERPENDICULARITY (SQUARENESS)
- // PARALLELISM
- ROUNDNESS (CIRCULARITY)
- ∅ CYLINDRICITY
- △ PROFILE OF ANY SURFACE
- ∩ PROFILE OF ANY LINE
- ↗ RUNOUT
- ⊕ TRUE POSITION
- ◎ CONCENTRICITY
- ≡ SYMMETRY

ASME Y14.5M 1994

UNLESS OTHERWISE SPECIFIED DIM. TOLERANCES ARE AS FOLLOWS:

INCH X XX XXX XXXX

mm ±0.5 ±0.13 ±0.013

ANG. ±50 DEG

REMOVE BURRS & BREAK SHARP EDGES:

INCH .003-.015 mm 0.1-0.4

CORNER FILLETS TO:

INCH .020 mm 0.5

MACHINE SURFACES:

INCH 125 mm 3.2

METRIC DIMS. SHOWN IN [BRACKETS]

DR BY: SBOWLI 04-13-2004

APPD:

THIRD ANGLE PROJECTION

EDS DATE 11-11-2011

FORMAT REV H

CONFIDENTIAL: THIS DRAWING AND ITS INFORMATION ARE THE EXCLUSIVE AND CONFIDENTIAL PROPERTY OF REGAL-BELOIT CORPORATION AND ARE NOT TO BE DISCLOSED, DUPLICATED, DISTRIBUTED OR OTHERWISE USED WITHOUT THE WRITTEN CONSENT OF REGAL-BELOIT CORPORATION. -ALL RIGHTS RESERVED.

**REGAL REGAL-BELOIT CORPORATION**

DESCRIPTION: MODEL-SFHP-3.3 OUTLINE

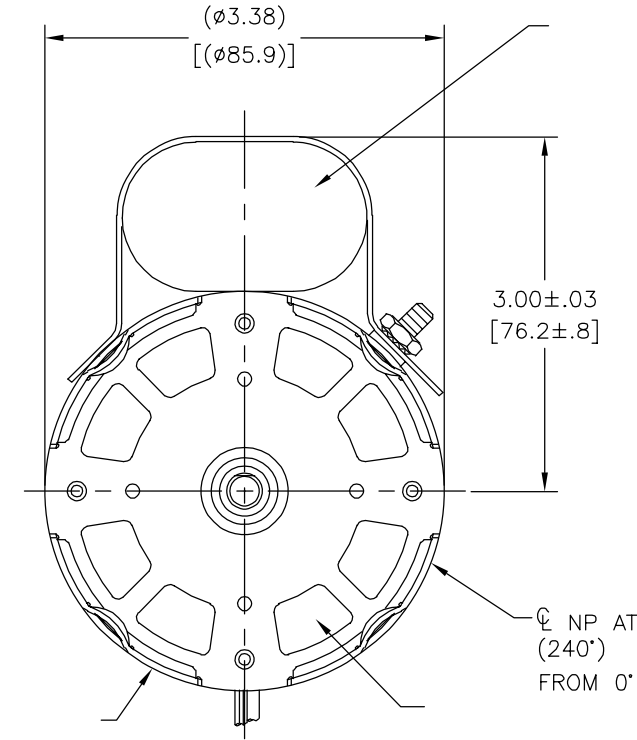
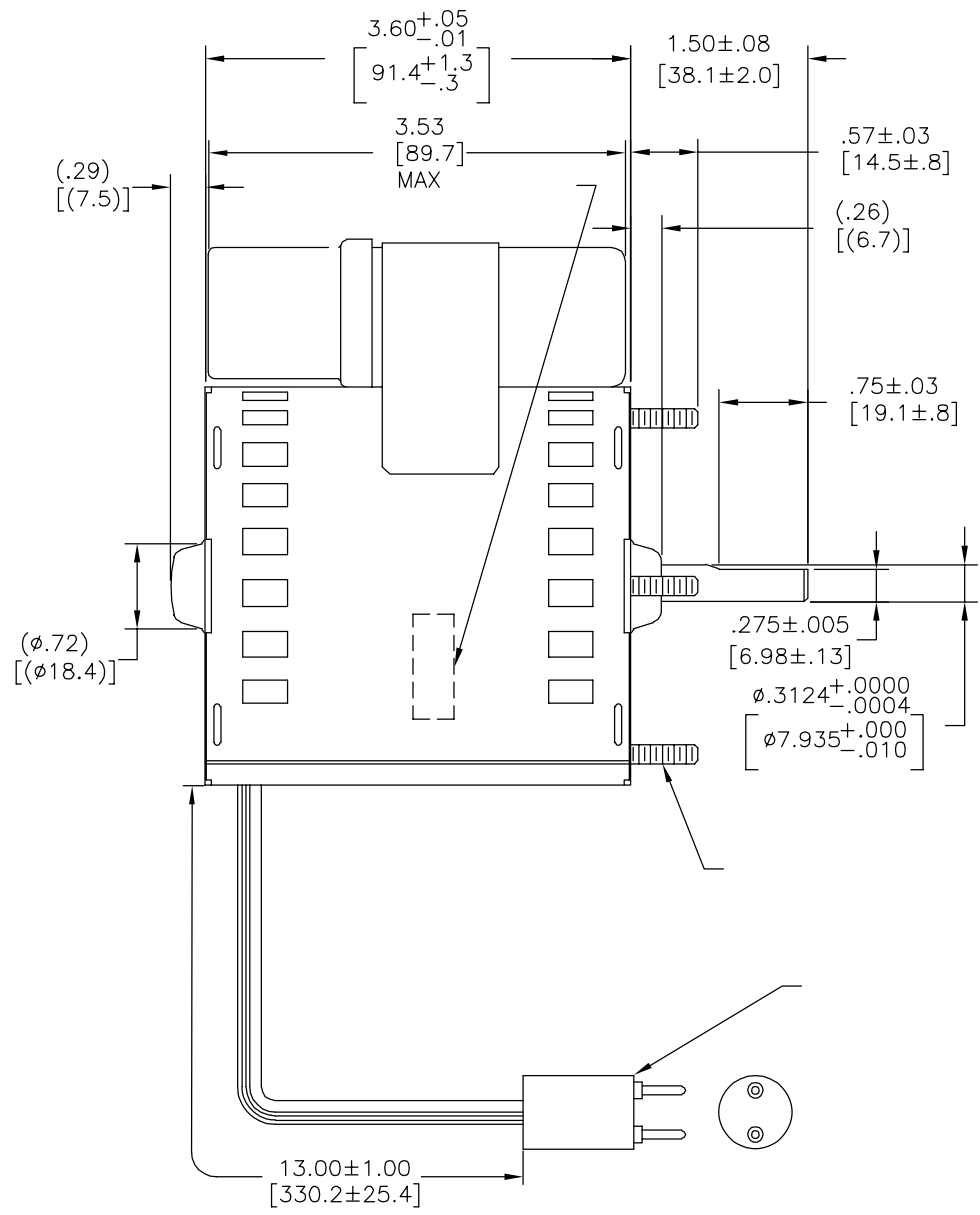
SIZE C DWG NO 18804701

SCALE NONE SHEET 1

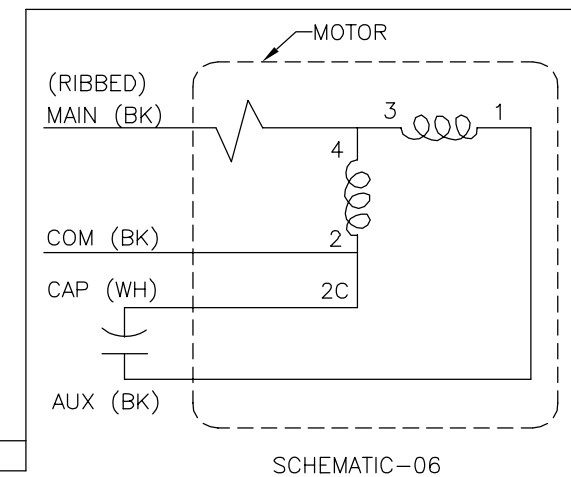
REVISION:	ECO	REVISADO POR:	FECHA:	APROBADO POR:	FECHA:
D	0027407	F.NAVARRO	07-13-2012	M.AVILA	07-13-2012

JE2F048N'

JE2F048N'



**Century** THERMALLY PROTECTED Tipp City, OH  
 SER. DATE, PLT MOD JE2F048N'  
 115V 50/60HZ .8/.7A 1350/1640RPM 1/15HP  
 1PH CONT. A.O. CLASS B INS MAX AMB 40°C  
 4MFD 370VAC CAPACITOR ASSEMBLED IN MEXICO  
 ← ROTATION → STOCK MOTOR 9633



CARACTERISTICAS DE GEOMETRIA Y SIMBOLOS  
 ▽ PLANICIDAD  
 — RECTITUD  
 ∠ ANGULARIDAD  
 ⊥ PERPENDICULARIDAD (A ESCUADRA)  
 // PARALELISMO  
 ○ REDONDEZ (CIRCULARIDAD)  
 ∅ CILINDRICIDAD  
 △ PERFIL DE CUALQUIER SUPERFICIE  
 ▲ PERFIL DE CUALQUIER LINEA  
 ↗ VARIACION  
 ⊕ POSICION REAL  
 ⊙ CONCENTRICIDAD  
 = SIMETRIA  
 ASME Y14.5M 1994

A MENOS QUE SE ESPECIFIQUE DE OTRA MANERA, LAS TOLERANCIAS DE LAS DIMS; SON LAS SIGUIENTES:  
 PULG ±.1 ±.02 ±.005 ±.0005  
 mm ±0.5 ±0.13 ±0.013  
 ANG. ±50 GRADOS  
 ELIMINAR REBABAS Y ORILLAS FILOSAS DEL BORDE.  
 PULG .003-.015 mm 0.1-0.4  
 FILETEAR ESQUINA: PULG .020 mm 0.5  
 MAQUINAR SUPERFICIES  
 PULG 125 mm 3.2  
 DIMS METRICAS MOSTRADAS [PARENTESIS]

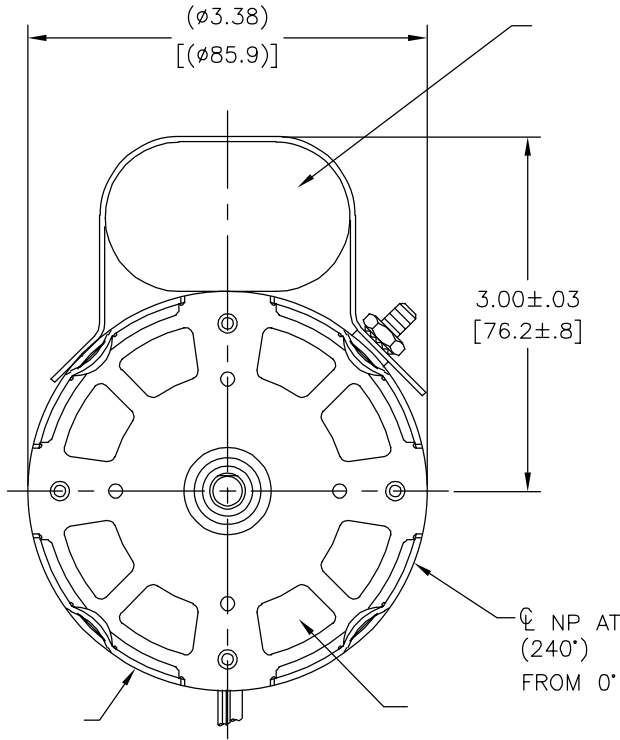
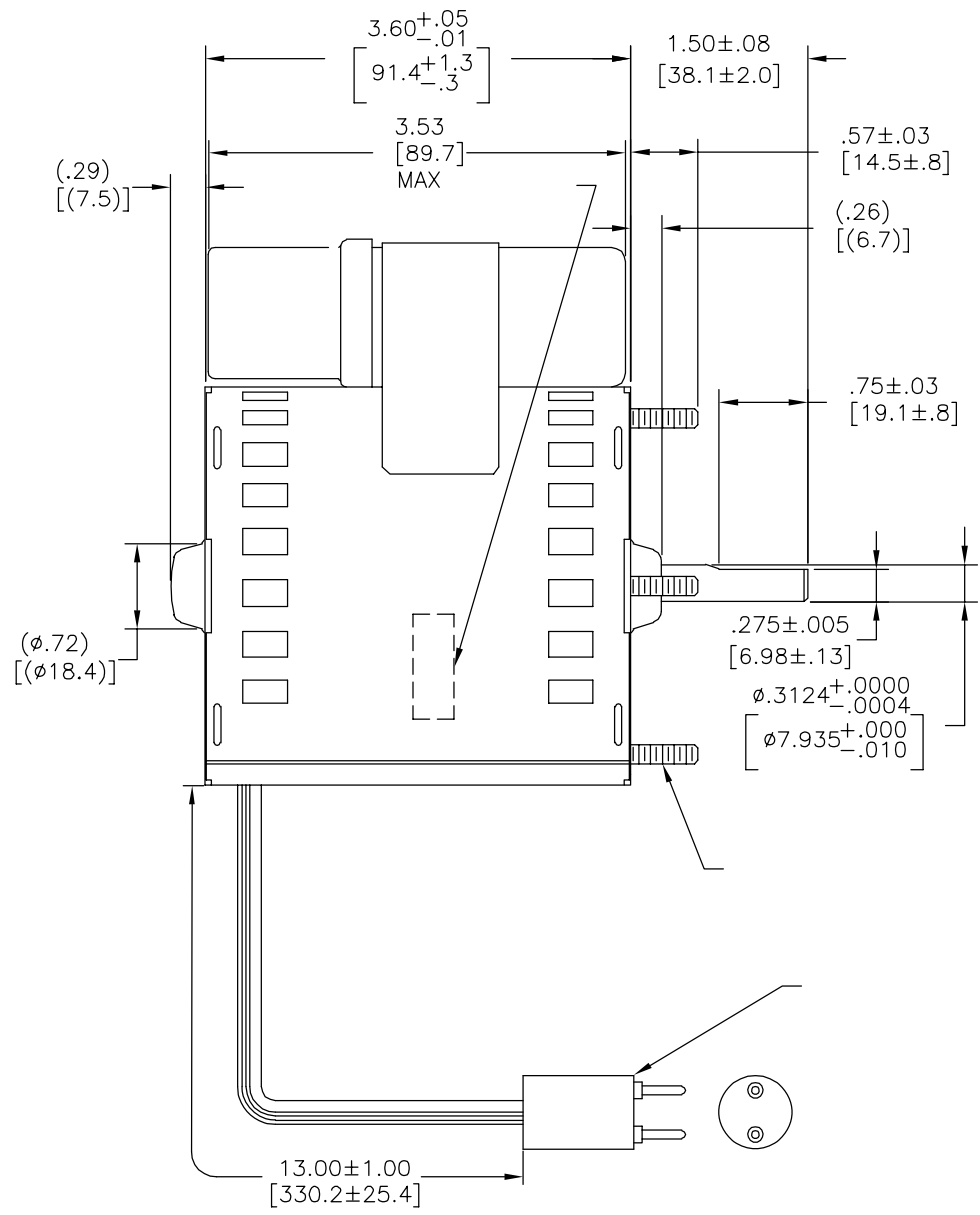
DIBUJADO POR: SBOWLI 04-13-2004  
 APROBADO POR:  
 TERCER ANGULO DE PROYECCION  
 CONFIDENCIAL: ESTE DIBUJO Y SU INFORMACION SON PROPIEDAD DE USO EXCLUSIVO Y CONFIDENCIAL DE REGAL-BELOIT CORPORATION. Y NO DEBERAN SER REVELADOS, DUPLICADOS, DISTRIBUIDOS O USARSE DE OTRA MANERA SIN EL CONSENTIMIENTO ESCRITO DE REGAL-BELOIT CORPORATION. -TODOS LOS DERECHOS RESERVADOS.

**REGAL REGAL-BELOIT CORPORATION**  
 DESCRIPCION: MODEL-SFHP-3.3 OUTLINE  
 TAMAÑO: C NUMERO DE DIBUJO: 18804701  
 ESCALA: NONE HOJA: 1

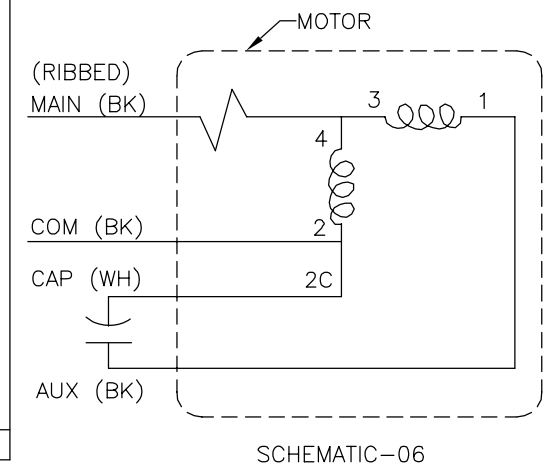
版本	ECO	编制	日期	批准	日期
D	0027407	F.NAVARRO	07-13-2012	M.AVILA	07-13-2012

JE2F048N'

JE2F048N'



**Century** THERMALLY PROTECTED Tipp City, OH  
 SER. DATE, PLT MOD JE2F048N'  
 115V 50/60HZ .8/.7A 1350/1640RPM 1/15PH  
 1PH CONT. A.O. CLASS B INS MAX AMB 40°C  
 4MFD 370VAC CAPACITOR ASSEMBLED IN MEXICO  
 ← ROTATION → STOCK MOTOR 9633



CCWLE-CWSE BOM CHG [B]

形位公差 □ 平面度 — 直线度 ∠ 倾斜度 ⊥ 垂直度 ∥ 平行度 ○ 圆度 ⊘ 圆柱度 △ 面轮廓度 ∩ 线轮廓度 ↗ 圆跳动 ⊕ 位置度 ⊙ 同轴度 ≡ 对称度	除另有注明 尺寸公差如下: 英寸 X XX XXX XXXX 毫米 ±.1 ±.02 ±.005 ±.0005 角度 ±.50 度 清理毛刺和尖棱 英寸 .003-.015 毫米 0.1-0.4 内圆角 英寸 .020 毫米 0.5 表面粗糙度 英制 125 米制 3.2
--	--

绘图: SBOWLI	04-13-2004
批准:	
第三角投影	图纸格式发布日期 11-11-2011 图纸格式版本 H
机密: 本图纸及相关信息所有权归REGAL-BELOIT CORPORATION 未经REGAL-BELOIT CORPORATION书面授权, 不得泄露、 复制、传播或作其他用途。—版权所有	

<b>REGAL</b> REGAL-BELOIT CORPORATION	
名称 MODEL-SFHP-3.3 OUTLINE	
图幅 C	图号 18804701
比例 NONE	页号 1

ASME Y14.5M 1994