

PRODUCT INFORMATION PACKET



Model No: 9635A

Catalog No: 9635A

Fan Coil & Air Conditioner Motor, 1/6, 1/10, 1/15 HP, 1 Ph, 60 Hz, 115 V, 1625 RPM, 3 Speed,
48 Frame, SEMI ENCLOSED



Regal and Century are trademarks of Regal Rexnord Corporation or one of its affiliated companies.
©2022 Regal Rexnord Corporation, All Rights Reserved. MC017097E





Nameplate Specifications

Output HP	1/6, 1/10, 1/15 Hp	Output KW	0.13 kW
Frequency	60 Hz	Voltage	115 V
Current	1.92/1.05/0.80 A	Speed	1625 rpm
Service Factor	1	Phase	1
Duty	Air Over	Insulation Class	B
Frame	48Y	Enclosure	Semi Enclosed
Thermal Protection	Automatic	Ambient Temperature	60 °C
UL	Recognized	CSA	Y
CE	N	Number of Speeds	3

Technical Specifications

Electrical Type	Permanent Split Capacitor	Starting Method	Across The Line
Poles	4	Rotation	Counterclockwise Lead End
Mounting	Extended Studs	Motor Orientation	Vertical Shaft Up Or Down
Drive End Bearing	Sleeve	Opp Drive End Bearing	Sleeve
Frame Material	Rolled Steel	Shaft Type	Flat
Overall Length	20.75 in	Frame Length	3.86 in
Shaft Diameter	0.500 in	Shaft Extension	8.5 X.5X 8.4 in
Outline Drawing	F48AA47A01-S01	Connection Drawing	614131-296

This is an uncontrolled document once printed or downloaded and is subject to change without notice. Date Created:11/28/2022

4

3

2

1

REV	ECO	REV BY	DATE	APPD	DATE
E	0025529	J.M.RAMIREZ	04-24-2012	R.RASCON	04-24-2012

GENERAL INFORMATION:

SHAFT RUNOUT: .001[.03] T.I.R. PER INCH LENGTH OF EXTENSION

END PLAY: .010 TO .063 [.25 TO 1.60]

BEARINGS: SLEEVE

MOUNTING POSITION: SHAFT VERTICAL UP OR DOWN

ELECTRICAL DATA:

OVERLOAD PROTECTOR: AUTOMATIC RESET (T.I. 7AM 036)

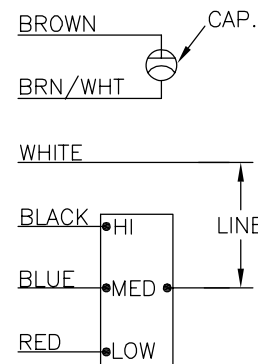
LEADS: NO. 18 GA., .06[1.5] THK. 105°C PVC INSUL.

GROUND LEAD: NO. 16 GA., .03[.8] THK. (GREEN/YELLOW) INSUL.

NAMEPLATE DATA:

MODEL NO.: F48AA47A01
 CUST. P/N: 9635A
 HP: 1/6,1/10,1/15
 ROT.: CCWLE
 RPM: 1625
 TYPE: UF
 FRAME: 48Y
 VOLTS: 115
 PH: 1
 AMPS: 1.92,1.05,0.80
 HZ: 60
 INS.: B
 AMB.: 60°C
 DUTY: AIR OVER
 CAP.: 5 MFD/370 V
 ENCL: SEMI-ENCL
 UL LOGO
 CSA LOGO
 THERMALLY PROTECTED

EXTERNAL CONNECTION DIAGRAM



614131-296

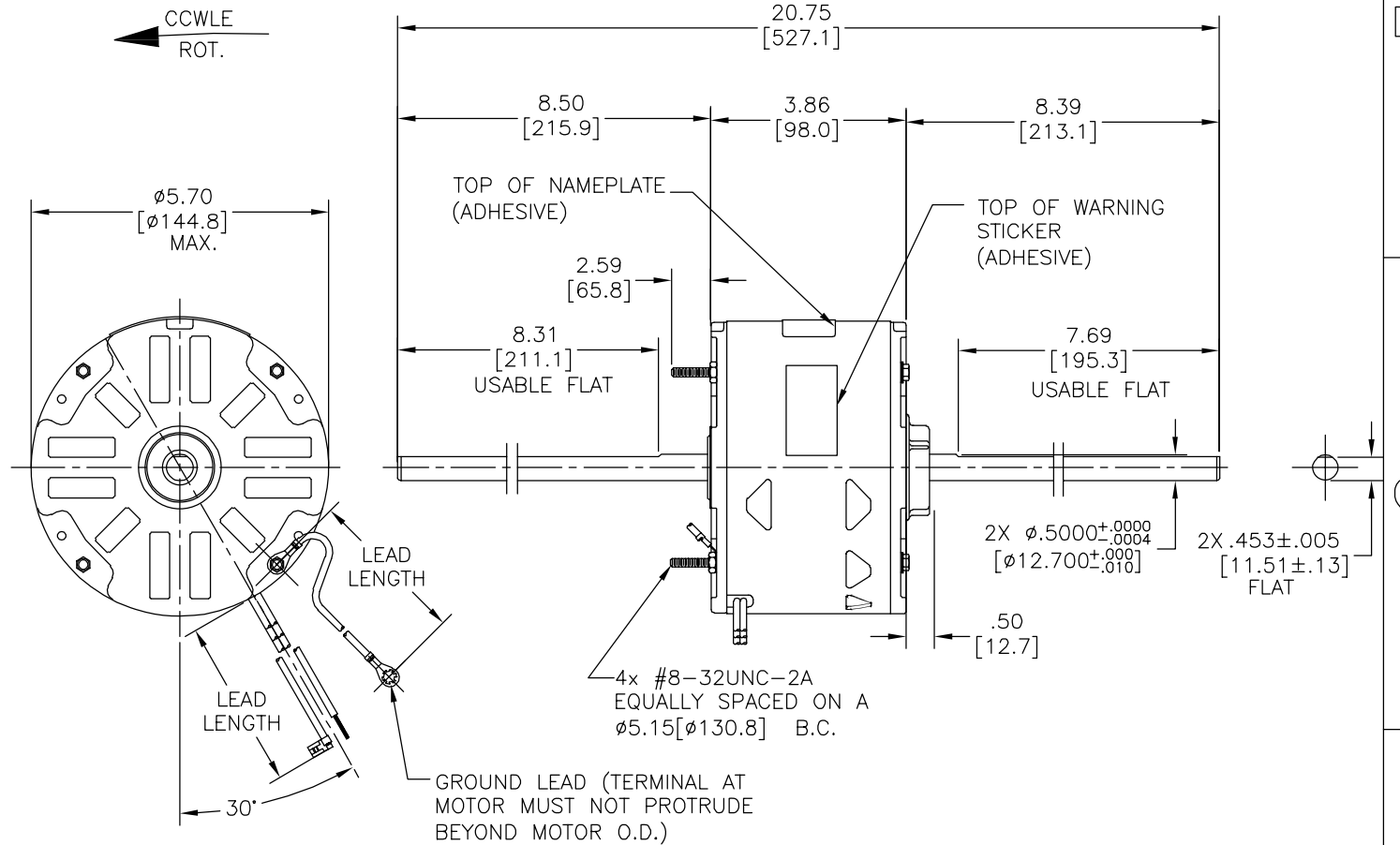
PERFORMANCE CURVE NO.	TORQUE @ 1625 RPM (25°C)	APPROVED SAMPLE	UL COMPONENT FILE #	CCN #	CSA FILE #	CLASS #
C32794	8.9 OZ. FT.	0701192C	E46412	PRGY2	LR43341	4211-01

COLOR	LENGTH	TERMINAL OR STRIP LENGTH
GREEN/YELLOW (GROUND)	11.0/13.0 [279/330]	#10 EYELET
BROWN	36.0/38.0 [914/965]	.25 [6.4] FLAG
BROWN/WHITE	36.0/38.0 [914/965]	.25 [6.4] FLAG
WHITE	36.0/38.0 [914/965]	.50 [12.7] SKIN
BLACK	36.0/38.0 [914/965]	.50 [12.7] SKIN
BLUE	36.0/38.0 [914/965]	.50 [12.7] SKIN
RED	36.0/38.0 [914/965]	.50 [12.7] SKIN

LEAD DATA

REGAL-BELOIT CORPORATION (RBC) PROVIDES TECHNICAL ASSISTANCE TO OUR CUSTOMERS IN SEVERAL AREAS. SINCE RBC DOES NOT RECEIVE ALL DATA CONCERNING THE USE AND APPLICATION OF THE MOTOR, THE SUITABILITY OF THE MOTOR FOR THE APPLICATION MUST BE DETERMINED BY THE CUSTOMER.

DIMENSIONS WITHOUT TOLERANCES ARE FOR REFERENCE ONLY.



NOTES:
 1. BAG ASSEMBLY 615059-002 TO BE PACKED SEPARATE IN CARTON WITH EACH MOTOR.

MAIN FRAME - OLE	SEMI-ENCLOSED
END FRAME - OLE	OPEN
MAIN FRAME - LE	SEMI-ENCLOSED
END FRAME - LE	OPEN

CUSTOMER	DIST SERVICES
----------	---------------

GEOMETRIC CHARACTERISTICS & SYMBOLS
 □ FLATNESS
 - STRAIGHTNESS
 < ANGLARITY
 ⊥ PERPENDICULARITY (SQUARENESS)
 // PARALLELISM
 ○ ROUNDNESS (CIRCULARITY)
 ∅ CYLINDRICITY
 △ PROFILE OF ANY SURFACE
 ∩ PROFILE OF ANY LINE
 ↑ RUNOUT
 ⊕ TRUE POSITION
 ⊙ CONCENTRICITY
 = SYMMETRY
 ASME Y14.5M 1994

REGAL-BELOIT CORPORATION (RBC) PROVIDES TECHNICAL ASSISTANCE TO OUR CUSTOMERS IN SEVERAL AREAS. SINCE RBC DOES NOT RECEIVE ALL DATA CONCERNING THE USE AND APPLICATION OF THE MOTOR, THE SUITABILITY OF THE MOTOR FOR THE APPLICATION MUST BE DETERMINED BY THE CUSTOMER.

DIMENSIONS WITHOUT TOLERANCES ARE FOR REFERENCE ONLY.

DR BY: MEIYU.HE 12-03-2007
 APPD: LIN.XIAO 07-08-2008
 THIRD ANGLE PROJECTION
 EDS DATE 11-11-2011
 FORMAT REV G
 CONFIDENTIAL: THIS DRAWING AND ITS INFORMATION ARE THE EXCLUSIVE AND CONFIDENTIAL PROPERTY OF REGAL-BELOIT CORPORATION AND ARE NOT TO BE DISCLOSED, DUPLICATED, DISTRIBUTED OR OTHERWISE USED WITHOUT THE WRITTEN CONSENT OF REGAL-BELOIT CORPORATION. -ALL RIGHTS RESERVED.

REGAL-BELOIT CORPORATION
 DESCRIPTION: MODEL-RFHP-48FR OUTLINE
 SIZE: C DWG NO: F48AA47A01
 SCALE: NONE SHEET: 1

4

3

2

1

4

3

2

1

REVISION:	ECO	REVISADO POR:	FECHA:	APROBADO POR:	FECHA:
E	0025529	J.M.RAMIREZ	04-24-2012	R.RASCON	04-24-2012

INFORMACION GENERAL

- ENDURECER FLECHA
- JUEGO AXIAL
- BALEROS
- POSICION DE MONTAJE

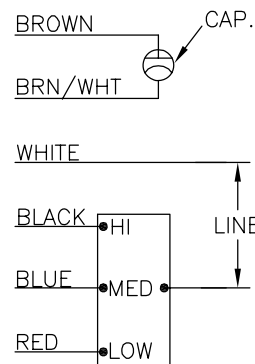
INFORMACION ELECTRICA

- DISPOSITIVO PROTECTOR DE SOBRECARGAS
- CABLES
- CABLE DE TIERRA

INFORMACION DE ETIQUETA:

MODEL NO.: F48AA47A01
 CUST. P/N: 9635A
 HP: 1/6,1/10,1/15
 ROT.: CCWLE
 RPM: 1625
 TYPE: UF
 FRAME: 48Y
 VOLTS: 115
 PH: 1
 AMPS: 1.92,1.05,0.80
 HZ: 60
 INS.: B
 AMB.: 60°C
 DUTY: AIR OVER
 CAP.: 5 MFD/370 V
 ENCL: SEMI-ENCL
 UL LOGO
 CSA LOGO
 THERMALLY PROTECTED

DIAGRAMA DE CONEXION EXTRNA

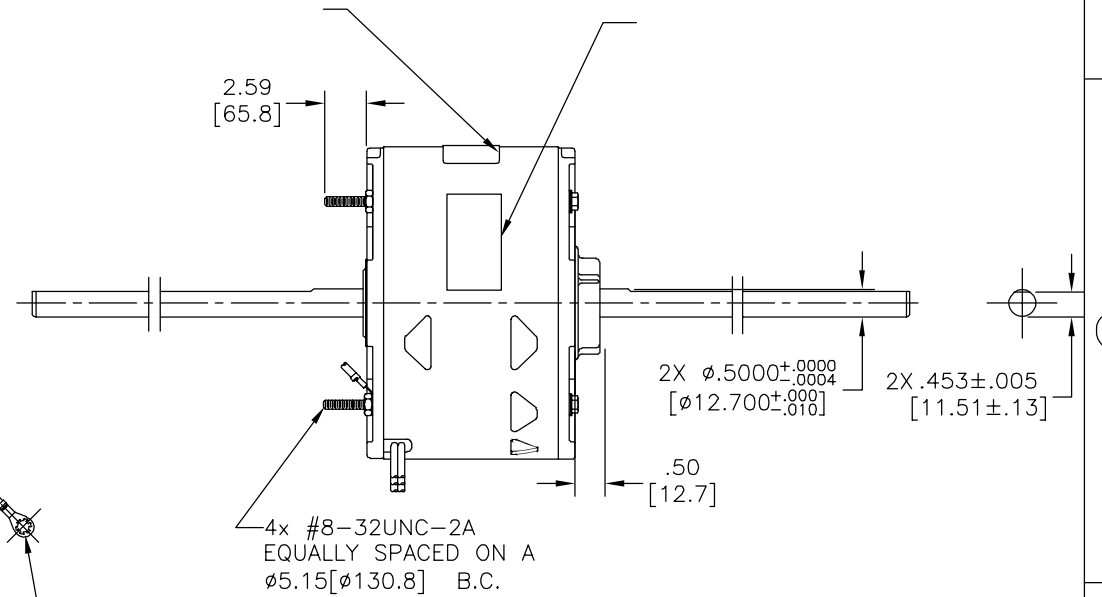
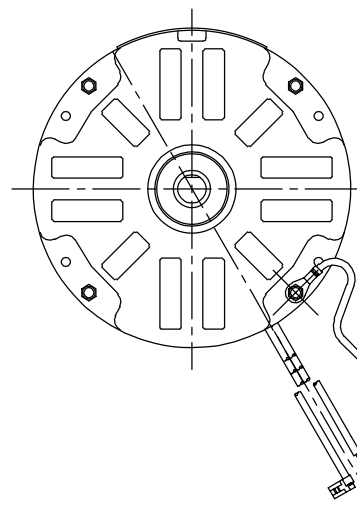


614131-296

CURVAS DE FUNCIONAMIENTO	TORSION @1650 RPM (25°C)	MUESTRA APROBADA	COMPONENTE UL	CSA
C32794	8.9 OZ. FT.	0701192C	#ARCHIVO CCN #	#ARCHIVO CLASE #
			E46412 PRGY2	LR43341 4211-01

	11.0/13.0	
	[279/330]	
	36.0/38.0	
	[914/965]	
	36.0/38.0	
	[914/965]	
	36.0/38.0	
	[914/965]	
	36.0/38.0	
	[914/965]	
	36.0/38.0	
	[914/965]	
	36.0/38.0	
	[914/965]	
COLOR	LONGITUD	TERMINAL O LONGITUD DE DESFORRE

MAX.



DE CARCASA - OLE	
DE TAPA - OLE	
DE CARCASA - LE	
DE TAPA - LE	
TIPO DE MOTOR	

CLIENTE DIST SERVICES

CARACTERISTICAS DE GEOMETRIA Y SIMBOLOS
 □ PLANICIDAD
 — RECTITUD
 < ANGULARIDAD
 ⊥ PERPENDICULARIDAD (A ESCUADRA)
 // PARALELISMO
 ○ REDONDEZ (CIRCULARIDAD)
 ∅ CILINDRICIDAD
 △ PERFIL DE CUALQUIER SUPERFICIE
 ∩ PERFIL DE CUALQUIER LINEA
 ↗ VARIACION
 ⊕ POSICION REAL
 ⊙ CONCENTRICIDAD
 = SIMETRIA
 ASME Y14.5M 1994

REGAL-BELOIT CORPORATION (RBC) PROVEE ASISTENCIA TECNICA A NUESTROS CLIENTES EN VARIAS AREAS. DESDE QUE RBC NO RECIBE TODOS LOS DATOS EN RELACION AL USO Y A LA APLICACION DEL MOTOR, LA APLICACION ADECUADA DEL MOTOR DEBE SER DETERMINADA POR EL CLIENTE.

DIMENSIONES SIN TOLERANCIA SON DE REFERENCIA SOLAMENTE

DIBUJADO POR: MEIYU.HE 12-03-2007
 APROBADO POR: LIN.XIAO 07-08-2008
 TERCER ANGULO DE PROYECCION
 CONFIDENCIAL: ESTE DIBUJO Y SU INFORMACION SON PROPIEDAD DE USO EXCLUSIVO Y CONFIDENCIAL DE REGAL-BELOIT CORPORATION. Y NO DEBERAN SER REVELADOS, DUPLICADOS, DISTRIBUIDOS O USARSE DE OTRA MANERA SIN EL CONSENTIMIENTO ESCRITO DE REGAL-BELOIT CORPORATION. -TODOS LOS DERECHOS RESERVADOS.



DESCRIPCION: MODEL-RFHP-48FR OUTLINE

TAMAÑO: C NUMERO DE DIBUJO: F48AA47A01

ESCALA: NONE HOJA: 1

4

3

2

1

4

3

2

1

版本	ECO	编制	日期	批准	日期
E	0025529	J.M.RAMIREZ	04-24-2012	R.RASCON	04-24-2012

总要求:

轴跳动:

端部窜动量:

轴承:

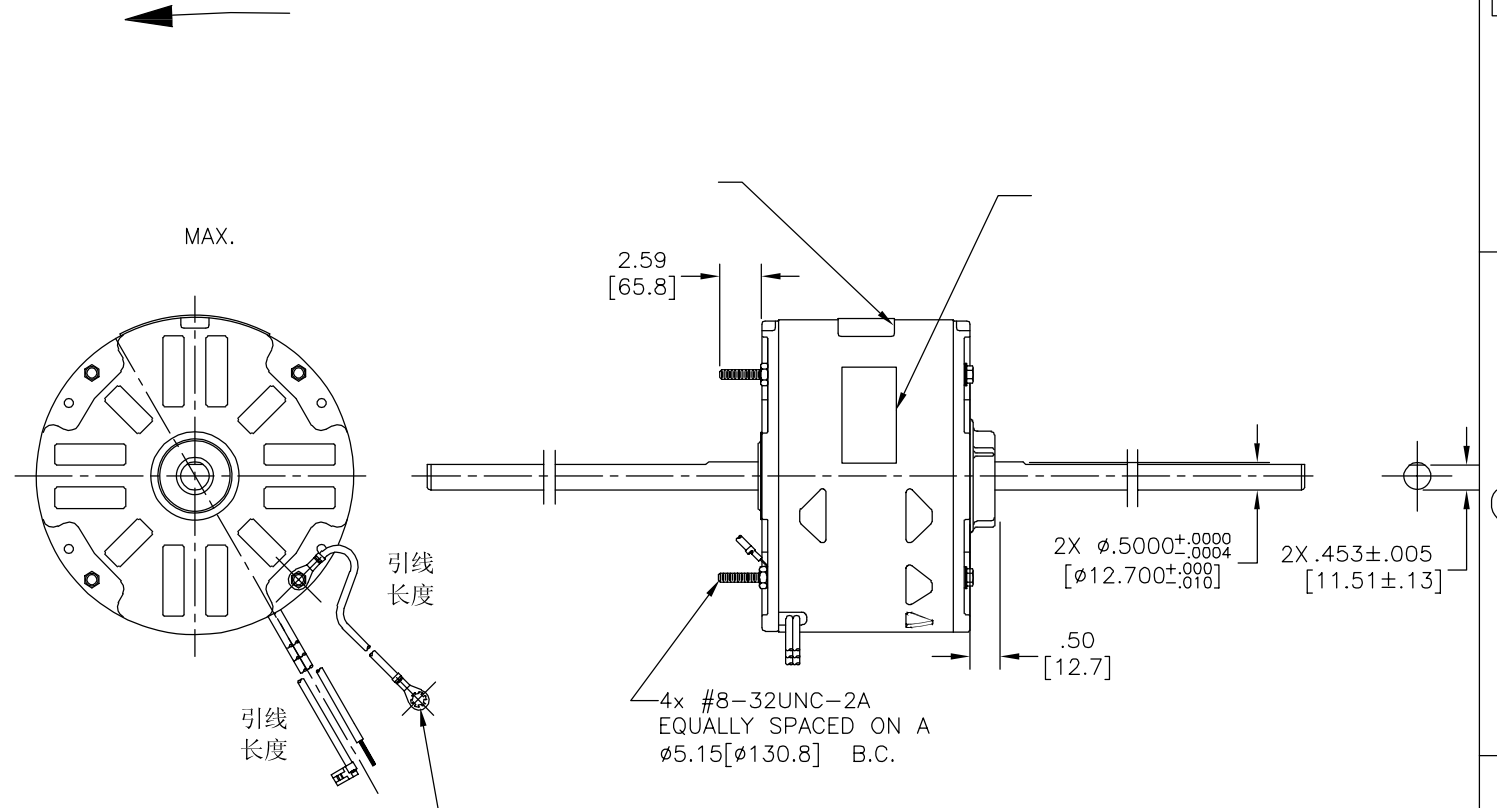
安装位置:

电气数据:

过载保护:

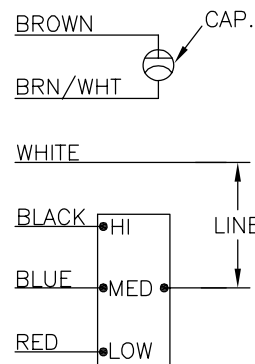
引线:

接地线:



铭牌数据 外部连接详图

MODEL NO.: F48AA47A01
 CUST. P/N: 9635A
 HP: 1/6,1/10,1/15
 ROT.: CCWLE
 RPM: 1625
 TYPE: UF
 FRAME: 48Y
 VOLTS: 115
 PH: 1
 AMPS: 1.92,1.05,0.80
 HZ: 60
 INS.: B
 AMB.: 60°C
 DUTY: AIR OVER
 CAP.: 5 MFD/370 V
 ENCL: SEMI-ENCL
 UL LOGO
 CSA LOGO
 THERMALLY PROTECTED



614131-296

性能曲线编号	转矩在1650RPM (25° C)	批准样品	UL部件		CSA	
			文件号	指南	文件号	指南
C32794	8.9 OZ. FT.	0701192C	E46412	PRGY2	LR43341	4211-01

绿色/黄色 (接地)	11.0/13.0 [279/330]	
棕色	36.0/38.0 [914/965]	
棕色/白色	36.0/38.0 [914/965]	
白色	36.0/38.0 [914/965]	
黑色	36.0/38.0 [914/965]	
蓝色	36.0/38.0 [914/965]	
红色	36.0/38.0 [914/965]	
颜色	长度	端子或剥线长度

非引线端机壳	
非引线端端盖	
引线端机壳	
引线端端盖	

用户 DIST SERVICES

- 形位公差
- 平面度
- 直线度
- ∠ 倾斜度
- ⊥ 垂直度
- // 平行度
- 圆度
- ⊘ 圆柱度
- △ 面轮廓度
- ∩ 线轮廓度
- ↗ 圆跳动
- ⊕ 位置度
- ⊙ 同轴度
- ≡ 对称度

ASME Y14.5M 1994

REGAL-BELOIT CORPORATION (RBC) 在个别领域为客户提供技术支持。鉴于RBC未收到任何涉及电机使用和应用环境的数据, 电机的适用性由客户自己决定。

未注公差尺寸仅供参考。

绘图:	MEIYU.HE	12-03-2007
批准:	LIN.XIAO	07-08-2008
第三角投影		图纸格式发布日期 11-11-2011 图纸格式版本 G
机密: 本图纸及相关信息所有权归REGAL-BELOIT CORPORATION。未经REGAL-BELOIT CORPORATION书面授权, 不得泄露、复制、传播或作其他用途。一版权所有		

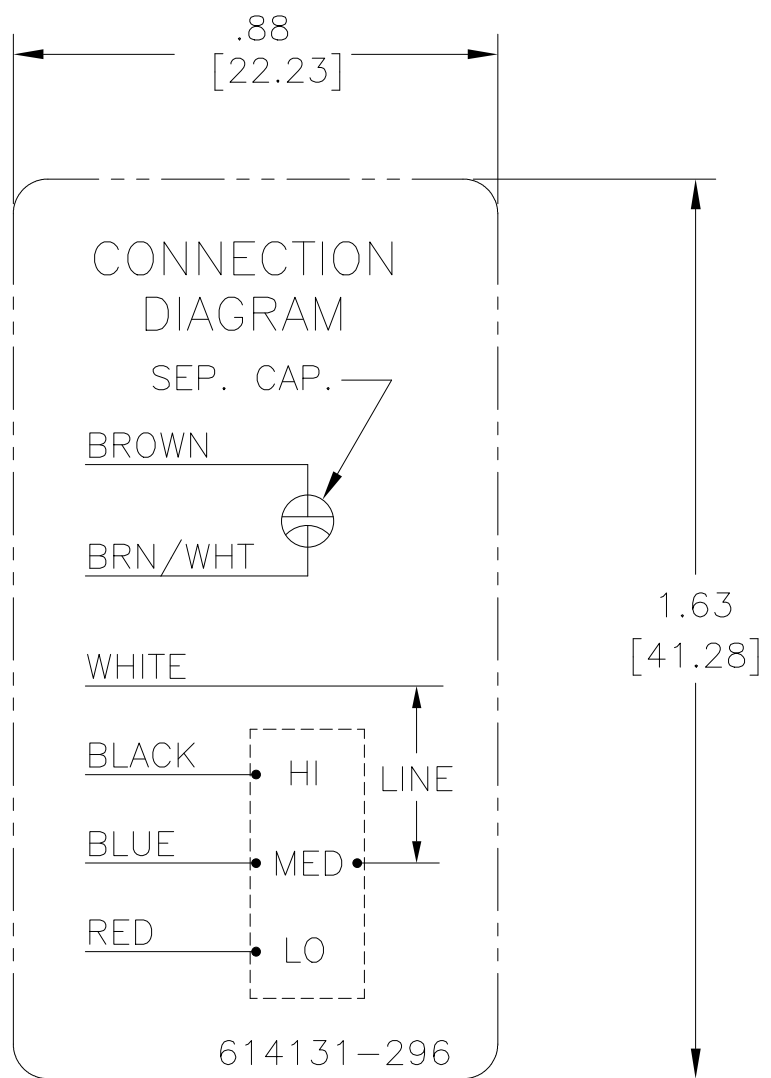
名称	MODEL-RFHP-48FR OUTLINE
图幅	C
图号	F48AA47A01
比例	NONE
页号	1

4

3

2

1



NOTES:

1. FOR USE WITH 614129 NAMEPLATE BLANK
2. — — — — — INDICATES DIMENSION LIMITS
3. DIE TO BE MADE FROM MASTER SUPPLIED BY REGAL BELOIT CORPORATION
4. DIE MUST PRODUCE A LEGIBLE IMPRESSION.

DRAWING REVISION C		REVISION BY J. RUPERT	DATE 11-04-2021	TOLERANCES UNLESS OTHERWISE SPECIFIED		DRAWN BY: S.RECKERS		Regal Beloit America, Inc.			
ECO ECR-0213550		APPROVED BY J. RUPERT	DATE 11-04-2021	DEC.	INCH	mm	ANGLE			DATE: 06-21-2002	
ECO DESCRIPTION REVISED FOR UP ISSUE				.X	±0.1	[±2.5]	±0.5°	APPROVED BY: B.BLATTERMAN	DESCRIPTION CONN DIAGRAM-NAMEPLATE		
COPYRIGHT REGAL BELOIT AMERICA, INC. ALL RIGHTS RESERVED. PROPRIETARY AND CONFIDENTIAL INFORMATION - THIS DOCUMENT IS THE PROPERTY OF REGAL BELOIT AMERICA, INC. ("OWNER") AND CONTAINS OWNER'S PROPRIETARY INFORMATION. ANY PERSON, CORPORATION OR OTHER FIRM RECEIVING IT IS DEEMED, BY RECEIVING IT, TO AGREE THAT IT, AND/OR ANY PART OF IT, SHALL NOT BE DISCLOSED TO ANY PERSON, CORPORATION OR OTHER ENTITY, DUPLICATED, AND/OR USED, EXCEPT AS EXPRESSLY APPROVED IN WRITING IN ADVANCE BY OWNER. THIS DOCUMENT SHALL BE RETURNED TO OWNER UPON REQUEST. IT MAY BE SUBJECT TO CERTAIN RESTRICTIONS UNDER APPLICABLE EXPORT CONTROL LAWS AND REGULATIONS.				.XX	±0.02	[±0.51]		DATE: 06-21-2002			
								.XXX	±0.005	[±0.127]	
				.XXXX	±0.0005	[±0.0127]		THIRD ANGLE PROJECTION	SIZE A	DWG NO 6 of 6	SHEET 1
				REMOVE BURRS & BREAK SHARP EDGES .003/.015 [.076/.381] CORNER FILLETS .02 [.51] MACHINED SURFACES INCH ¹²⁵ / mm ^{3.2}						614131-296	
				mm SHOWN IN [BRACKETS]							