

PRODUCT INFORMATION PACKET



Model No: 9636

Catalog No: 9636

Fan Coil & Air Conditioner Motor, 1/6 HP, 1 Ph, 60 Hz, 115 V, 1050 RPM, 2 Speed, 42 Frame,
SEMI ENCL



Regal and Century are trademarks of Regal Rexnord Corporation or one of its affiliated companies.
©2025 Regal Rexnord Corporation, All Rights Reserved. MC017097E





Nameplate Specifications

Phase	1	Output HP	1/6 Hp
Output KW	0.13 kW	Voltage	115 V
Speed	1050 rpm	Service Factor	1.0
Frame	42Y	Enclosure	Semi Enclosed
Thermal Protection	Automatic	Ambient Temperature	40 °C
Frequency	60 Hz	Current	5.8 A
Duty	Air Over	Insulation Class	A
UL	Recognized	CSA	Y
CE	N	Number of Speeds	2

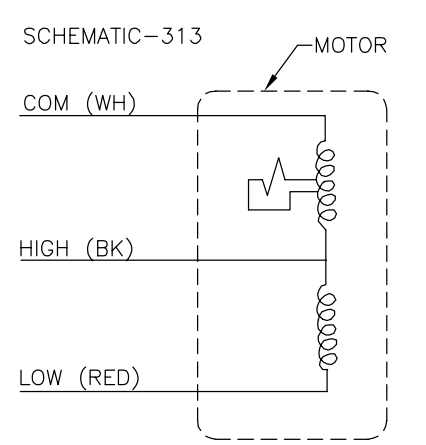
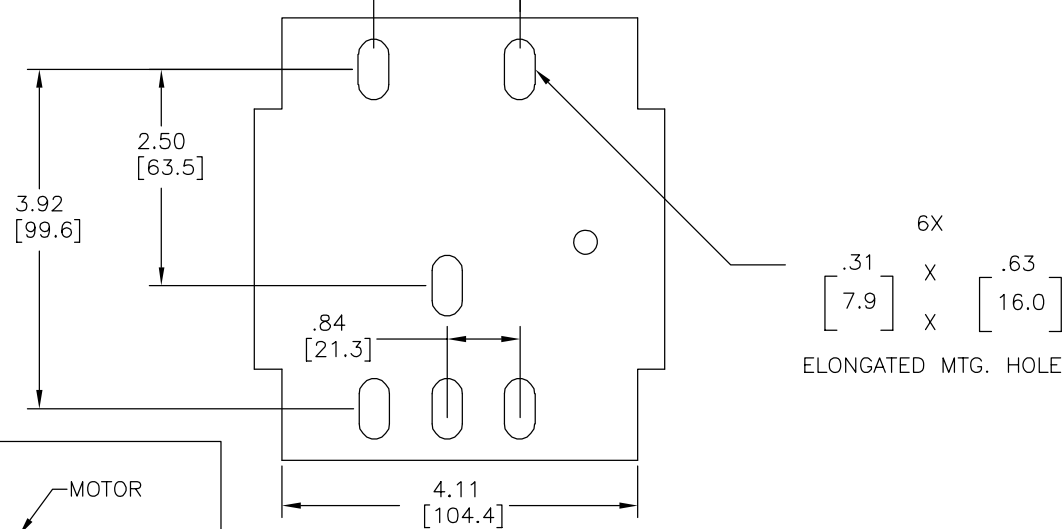
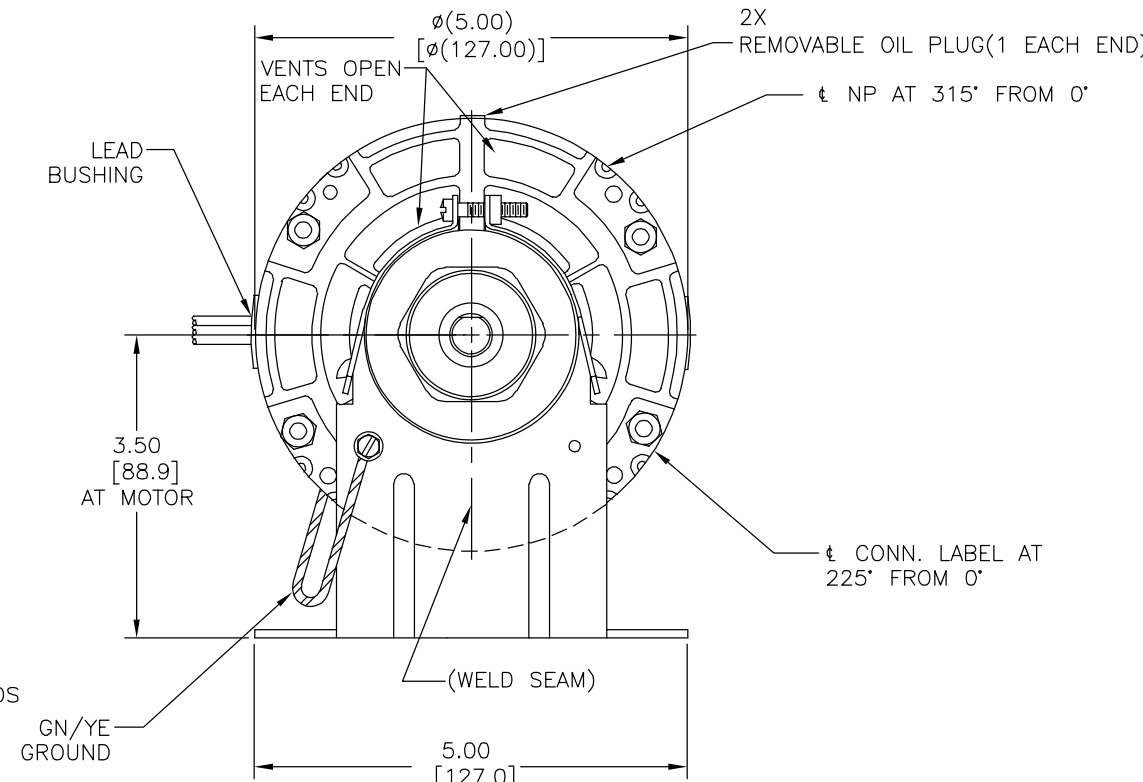
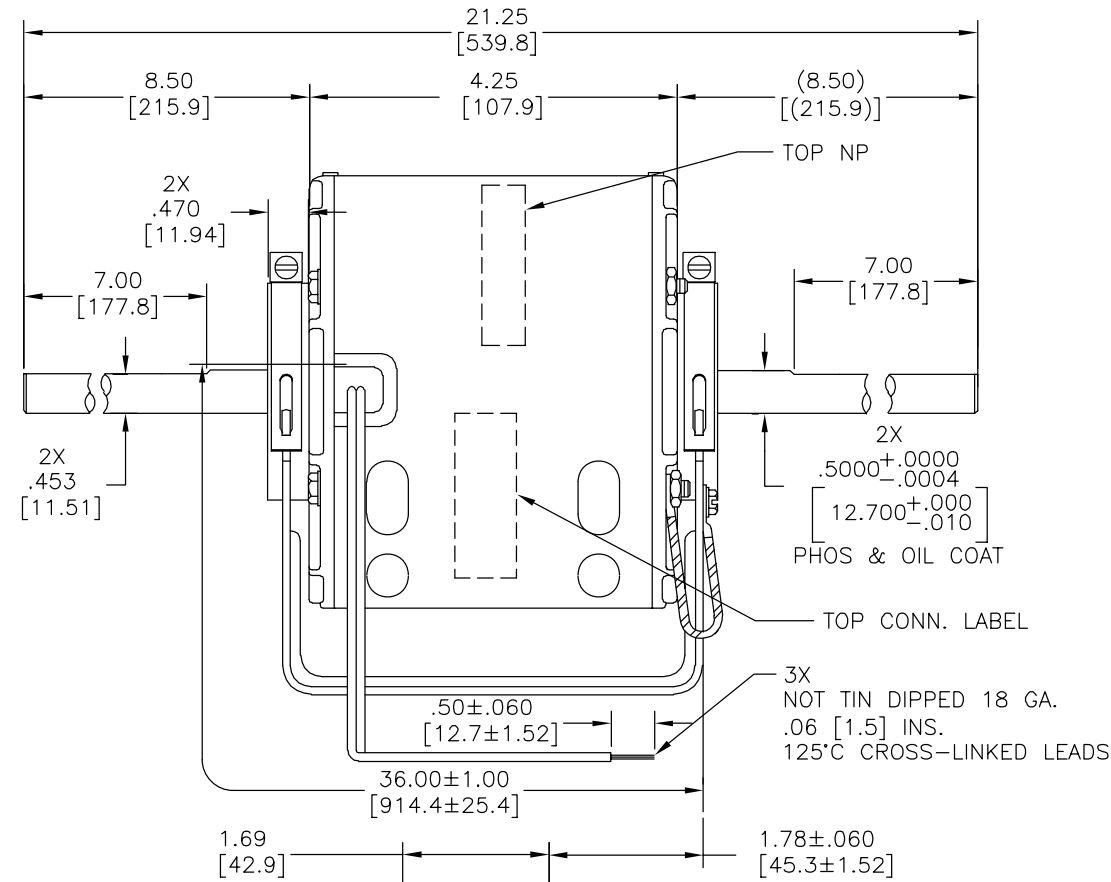
Technical Specifications

Electrical Type	Shaded Pole	Starting Method	Across The Line
Poles	6	Rotation	Counterclockwise Lead End
Mounting	Resilient Base	Motor Orientation	Horizontal
Drive End Bearing	Sleeve	Opp Drive End Bearing	Sleeve
Frame Material	Rolled Steel	Shaft Type	Flat
Overall Length	21.25 in	Frame Length	3.67 in
Shaft Diameter	0.500 in	Shaft Extension	8.5X.5X8.5 in
Outline Drawing	9636-S01		

This is an uncontrolled document once printed or downloaded and is subject to change without notice. Date Created:02/10/2025

CUSTOMER IS SOLELY RESPONSIBLE FOR MOTOR PERFORMANCE AND SUITABILITY IN APPLICATIONS FOR CUSTOMER'S USES

ENDPLAY .005[.13] MIN - .040[1.02] MAX
 MAXIMUM SHAFT RUN OUT .001[.03] PER INCH
 MAXIMUM RUN OUT NOT TO EXCEED .0075 [.191]




ELECTRICALLY PER SAMPLE 0442826B
 CURVE #32248

NOTE:
 1. DISTRIBUTION PART NUMBER: 9636.
 GRAINGER PART NUMBER: 4LY95.

CONN. LABEL
 63T7432-251

SEE NOTE 1

ROT.: - CCWLE
 NAMEPLATE DATA:
 TIPP CITY, OHIO
 THERMALLY PROTECTED
 SER. DATE & P0# PLT LTR MOD DA3J7091N# []
 VOLTS 115 HZ 60 AMPS 5.8
 RPM 1050 SP2 PH1 CAP
 INS A CL AMB 40 °C 1/6 HP ← ROTATION →
 BRG SLV ASSEMBLED IN MEXICO

DRAWING REVISION	REVISION BY	DATE
A	F. NAVARRO	09-23-2014
ECO	APPROVED BY	DATE
0057615	G. ALVIDREZ	09-23-2014
ECO DESCRIPTION		
SEE ECO		
<small>COPYRIGHT REGAL BELOIT AMERICA, INC. ALL RIGHTS RESERVED. PROPRIETARY AND CONFIDENTIAL INFORMATION - THIS DOCUMENT IS THE PROPERTY OF REGAL BELOIT AMERICA, INC. (OWNER) AND CONTAINS OWNER'S PROPRIETARY INFORMATION. ANY PERSON, CORPORATION OR OTHER FIRM RECEIVING IT IS DEEMED, BY RECEIVING IT, TO AGREE THAT IT, AND/OR ANY PART OF IT, SHALL NOT BE DISCLOSED TO ANY PERSON, CORPORATION OR OTHER ENTITY, DUPLICATED, AND/OR USED, EXCEPT AS EXPRESSLY APPROVED IN WRITING IN ADVANCE BY OWNER. THIS DOCUMENT SHALL BE RETURNED TO OWNER UPON REQUEST. IT MAY BE SUBJECT TO CERTAIN RESTRICTIONS UNDER APPLICABLE EXPORT CONTROL LAWS AND REGULATIONS.</small>		

DRAWN BY:	KGORDO	REGAL™ Regal Beloit America, Inc.
DATE:	07-20-2004	
APPROVED BY:	GPIATT	DESCRIPTION
DATE:		MODEL-RFHP-42FR OUTLINE
REFERENCE	MATERIAL	PROCESS/FINISH
THIRD ANGLE PROJECTION	SIZE DWG NO	SHEET
	C 9636	1