

# PRODUCT INFORMATION PACKET



Model No: 9637  
Catalog No: 9637

Fan Coil & Air Conditioner Motor, 1/6 HP, 1 Ph, 60 Hz, 230 V, 1050 RPM, 1 Speed, 42 Frame, ODP



Regal and Century are trademarks of Regal Rexnord Corporation or one of its affiliated companies.  
©2023 Regal Rexnord Corporation, All Rights Reserved. MC017097E





**Nameplate Specifications**

Phase	1	Output HP	1/6 Hp
Output KW	0.13 kW	Voltage	230 V
Speed	1050 rpm	Service Factor	1
Frame	42Y	Enclosure	Open Drip Proof
Thermal Protection	Automatic	Ambient Temperature	40 °C
Frequency	60 Hz	Current	2.9 A
Duty	Air Over	Insulation Class	A
UL	Recognized	CSA	Y
CE	N	Number of Speeds	1

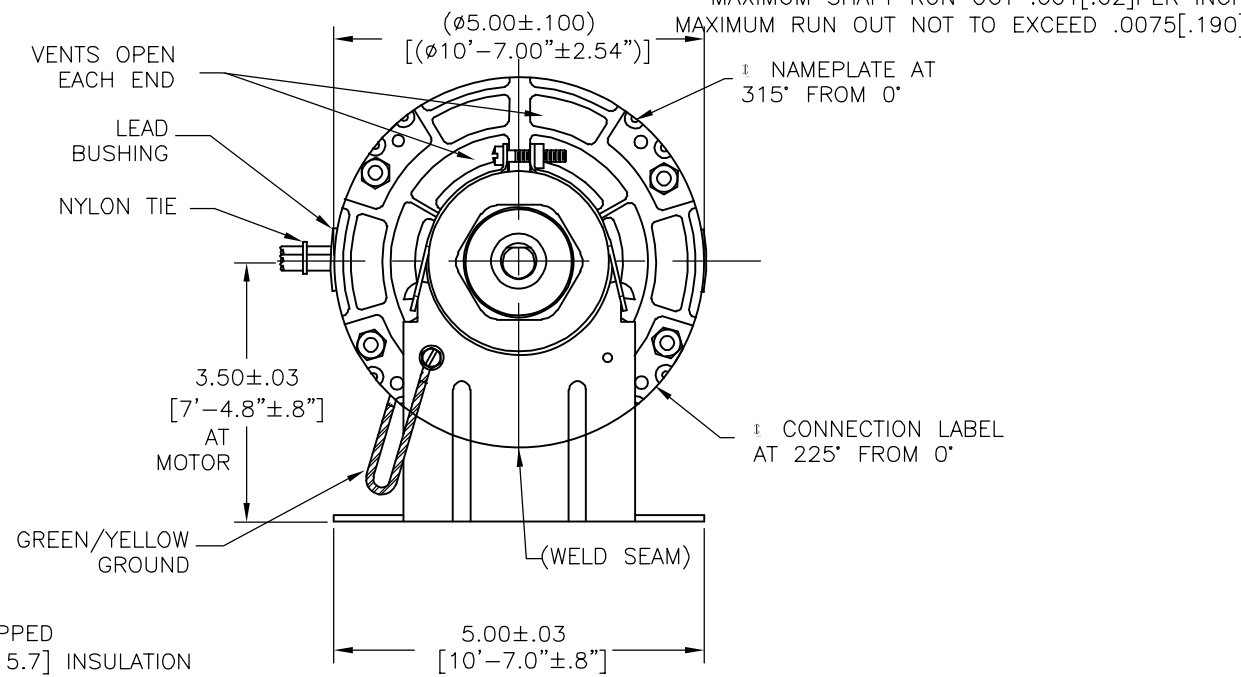
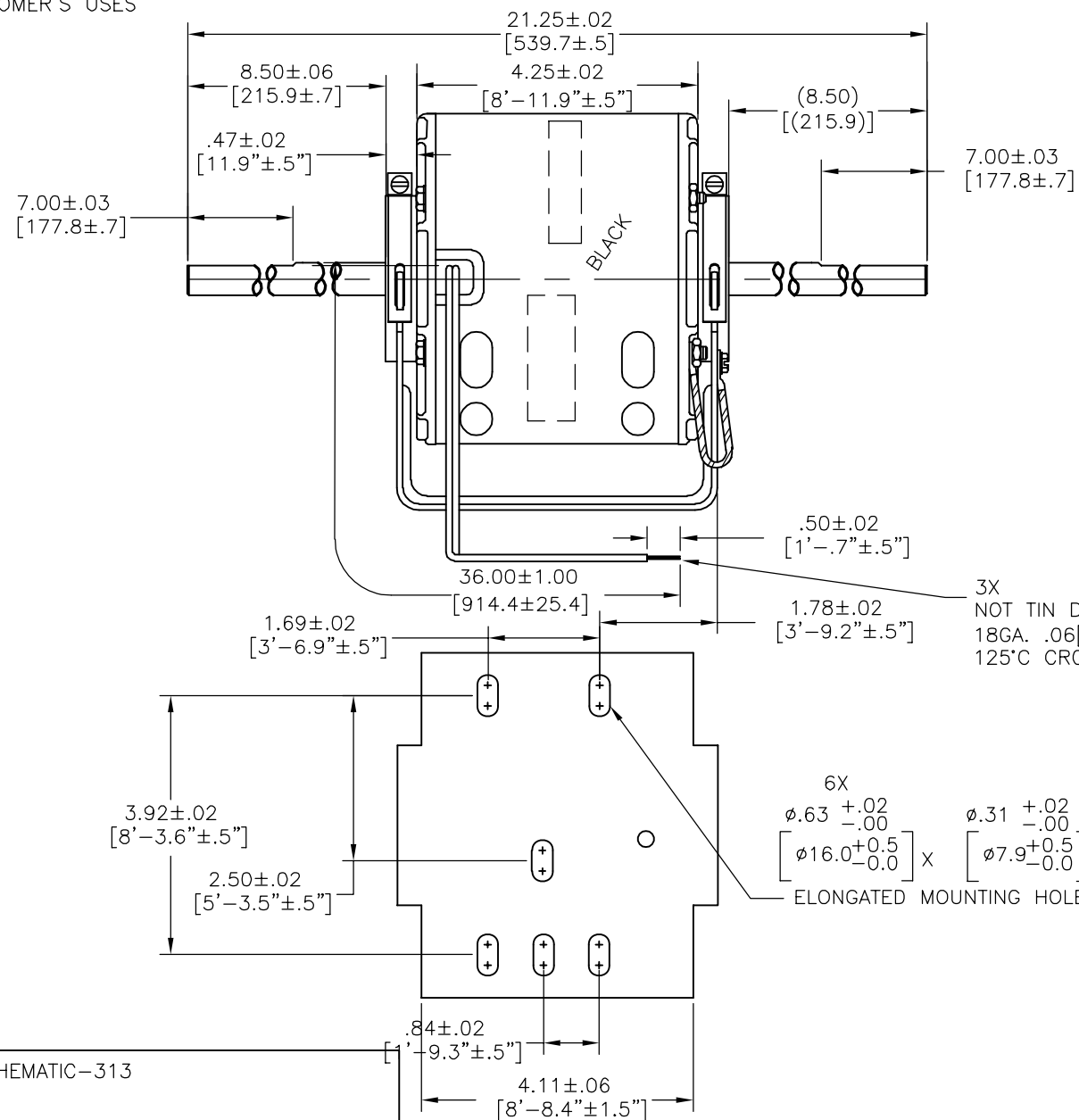
**Technical Specifications**

Electrical Type	Shaded Pole	Starting Method	Across The Line
Poles	6	Rotation	Counterclockwise Lead End
Mounting	Resilient Base	Motor Orientation	Horizontal
Drive End Bearing	Sleeve	Opp Drive End Bearing	Sleeve
Frame Material	Rolled Steel	Shaft Type	Flat
Overall Length	21.25 in	Frame Length	3.67 in
Shaft Diameter	0.500 in	Shaft Extension	8.5X.5X8.5 in
Outline Drawing	DA3J7092-S01		

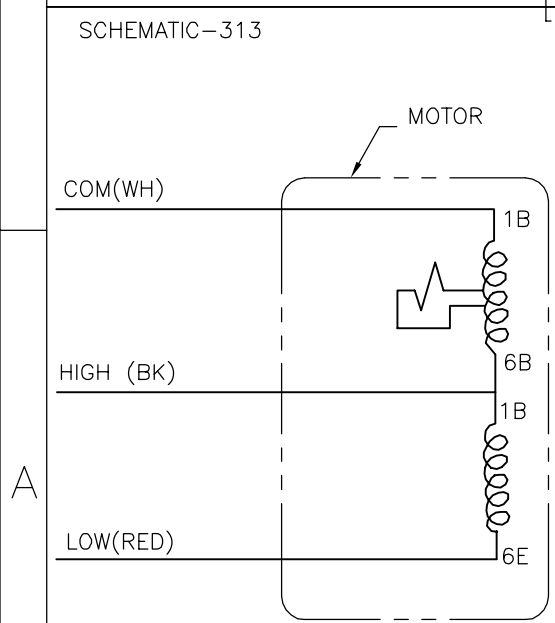
This is an uncontrolled document once printed or downloaded and is subject to change without notice. Date Created:08/24/2023

CUSTOMER IS SOLELY RESPONSIBLE FOR MOTOR PERFORMANCE AND SUITABILITY IN APPLICATIONS FOR CUSTOMER'S USES

REV	ECO	REV BY	DATE	APPD	DATE
F	0029022	A.ARREOLA	17-10-2012	R.RASCON	17-10-2012



END PLAY .005[.12] MIN-.040 [1.16] MAX  
 MAXIMUM SHAFT RUN OUT .001[.02]PER INCH  
 MAXIMUM RUN OUT NOT TO EXCEED .0075[.190]



GEOMETRIC CHARACTERISTICS & SYMBOLS

- FLATNESS
- STRAIGHTNESS
- ∠ ANGULARITY
- ⊥ PERPENDICULARITY (SQUARENESS)
- ∥ PARALLELISM
- ROUNDNESS (CIRCULARITY)
- ⊘ CYLINDRICITY
- △ PROFILE OF ANY SURFACE
- ∩ PROFILE OF ANY LINE
- ↗ RUNOUT
- ⊕ TRUE POSITION
- ◎ CONCENTRICITY
- ≡ SYMMETRY

ASME Y14.5M 1994

REGAL-BELOIT CORPORATION (RBC) PROVIDES TECHNICAL ASSISTANCE TO OUR CUSTOMERS IN SEVERAL AREAS. SINCE RBC DOES NOT RECEIVE ALL DATA CONCERNING THE USE AND APPLICATION OF THE MOTOR, THE SUITABILITY OF THE MOTOR FOR THE APPLICATION MUST BE DETERMINED BY THE CUSTOMER.

DIMENSIONS WITHOUT TOLERANCES ARE FOR REFERENCE ONLY.

DR BY:	KGORDON	07-22-2004
APPD:	GPIATT	
THIRD ANGLE PROJECTION	EDS DATE 11-11-2011	FORMAT REV H
CONFIDENTIAL: THIS DRAWING AND ITS INFORMATION ARE THE EXCLUSIVE AND CONFIDENTIAL PROPERTY OF REGAL-BELOIT CORPORATION AND ARE NOT TO BE DISCLOSED, DUPLICATED, DISTRIBUTED OR OTHERWISE USED WITHOUT THE WRITTEN CONSENT OF REGAL-BELOIT CORPORATION. -ALL RIGHTS RESERVED.		

ROT: CCWLE-CWSE

NAMEPLATE DATA:

Tipp City, OH  
THERMALLY PROTECTED

SER. DATE & PO# PLT LTR MOD DE3J092N# STK #9637  
 VOLTS 230 HZ 60 AMPS 2.9  
 RPM 1050 SP2 PH1 CAP ← ROTATION →  
 INS A CL AMB 40°C 1/6 HP  
 BRG SLV

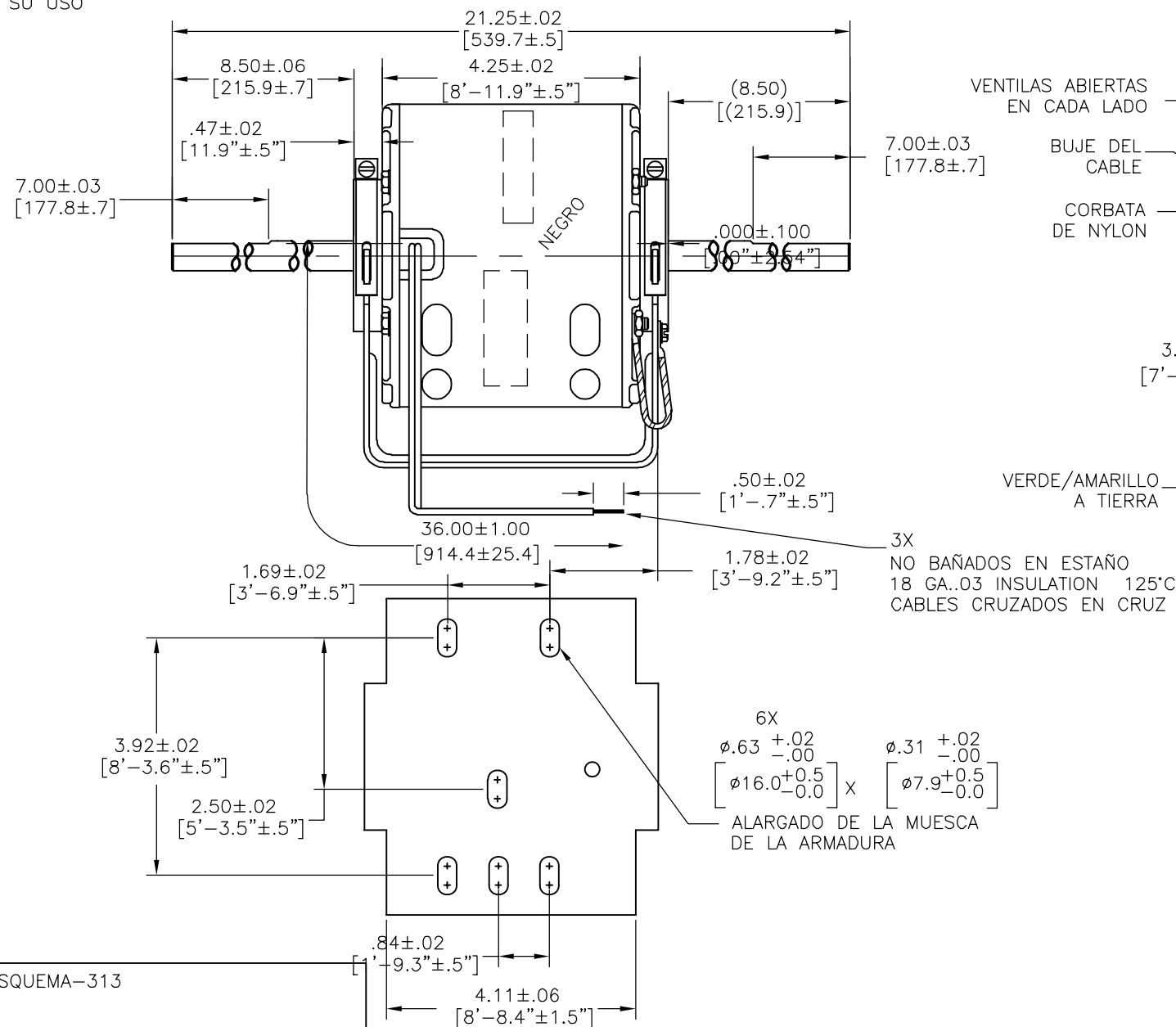
ASSEMBLED IN MEXICO

CONNECTION LABEL 63T7432-251

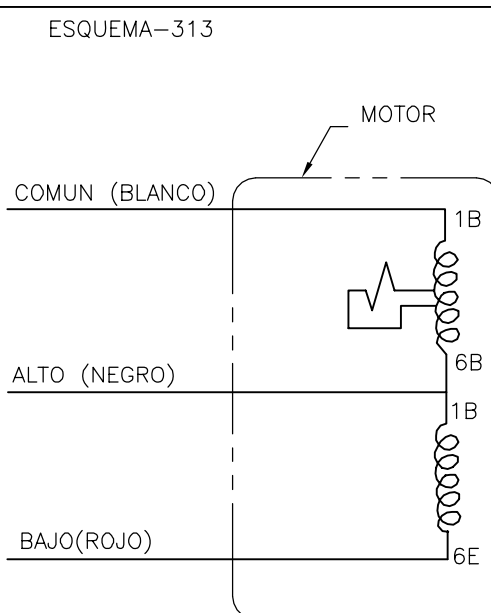
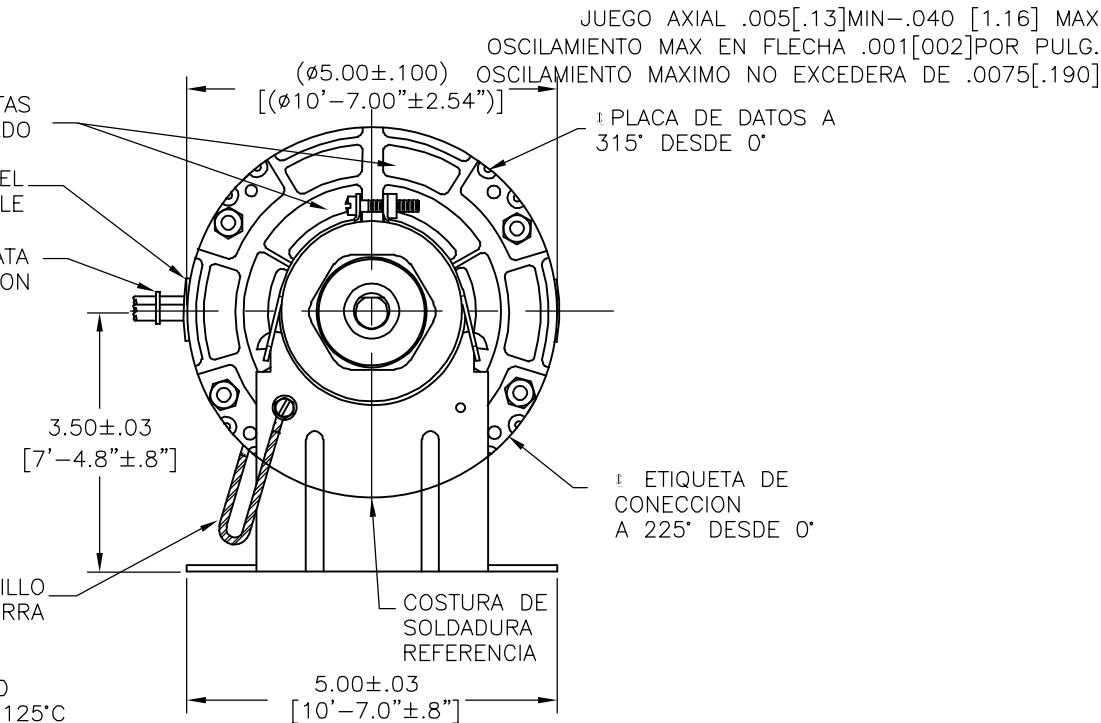
REGAL REGAL-BELOIT CORPORATION	
DESCRIPTION	
MODEL-RFHP-42FR OUTLINE	
SIZE C	DWG NO DA3J7092
SCALE NONE	SHEET 1

EL CLIENTE ES UNICAMENTE RESPONSABLE POR EL DESEMPEÑO DEL MOTOR Y APLICACIONES APROPIADAS PARA SU USO

REVISION:	ECO	REVISADO POR:	FECHA:	APROBADO POR:	FECHA:
F	0029022	A.ARREOLA	17-10-2012	R.RASCON	17-10-2012



VENTILAS ABIERTAS EN CADA LADO  
 BUJE DEL CABLE  
 CORBATA DE NYLON  
 VERDE/AMARILLO A TIERRA  
 COSTURA DE SOLDADURA REFERENCIA  
 3X NO BAÑADOS EN ESTAÑO 18 GA.03 INSULATION 125°C CABLES CRUZADOS EN CRUZ  
 6X  $\begin{matrix} \phi.63 & +.02 \\ & -.00 \end{matrix}$   $\begin{matrix} \phi.31 & +.02 \\ & -.00 \end{matrix}$   
 $\begin{bmatrix} \phi.16.0 & +0.5 \\ & -0.0 \end{bmatrix} \times \begin{bmatrix} \phi.7.9 & +0.5 \\ & -0.0 \end{bmatrix}$   
 ALARGADO DE LA MUESCA DE LA ARMADURA

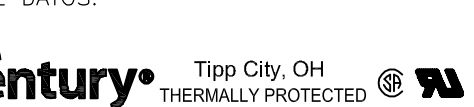


CARACTERISTICAS DE GEOMETRIA Y SIMBOLOS  
 ▢ PLANICIDAD  
 — RECTITUD  
 < ANGULARIDAD  
 ⊥ PERPENDICULARIDAD (A ESCUADRA)  
 // PARALELISMO  
 ○ REDONDEZ (CIRCULARIDAD)  
 ∅ CILINDRICIDAD  
 △ PERFIL DE CUALQUIER SUPERFICIE  
 ∇ PERFIL DE CUALQUIER LINEA  
 ↗ VARIACION  
 ⊕ POSICION REAL  
 ⊙ CONCENTRICIDAD  
 = SIMETRIA  
 ASME Y14.5M 1994

REGAL-BELOIT CORPORATION (RBC) PROVEE ASISTENCIA TECNICA A NUESTROS CLIENTES EN VARIAS AREAS. DESDE QUE RBC NO RECIBE TODOS LOS DATOS EN RELACION AL USO Y A LA APLICACION DEL MOTOR, LA APLICACION ADECUADA DEL MOTOR DEBE SER DETERMINADA POR EL CLIENTE.  
 DIMENSIONES SIN TOLERANCIA SON DE REFERENCIA SOLAMENTE

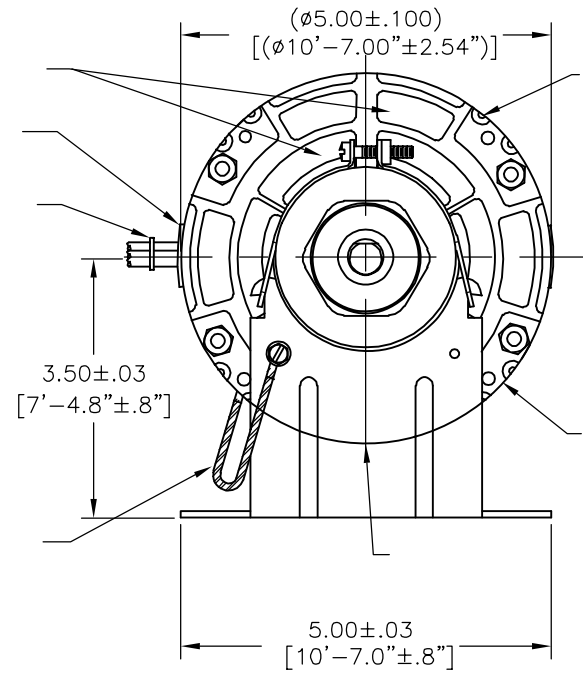
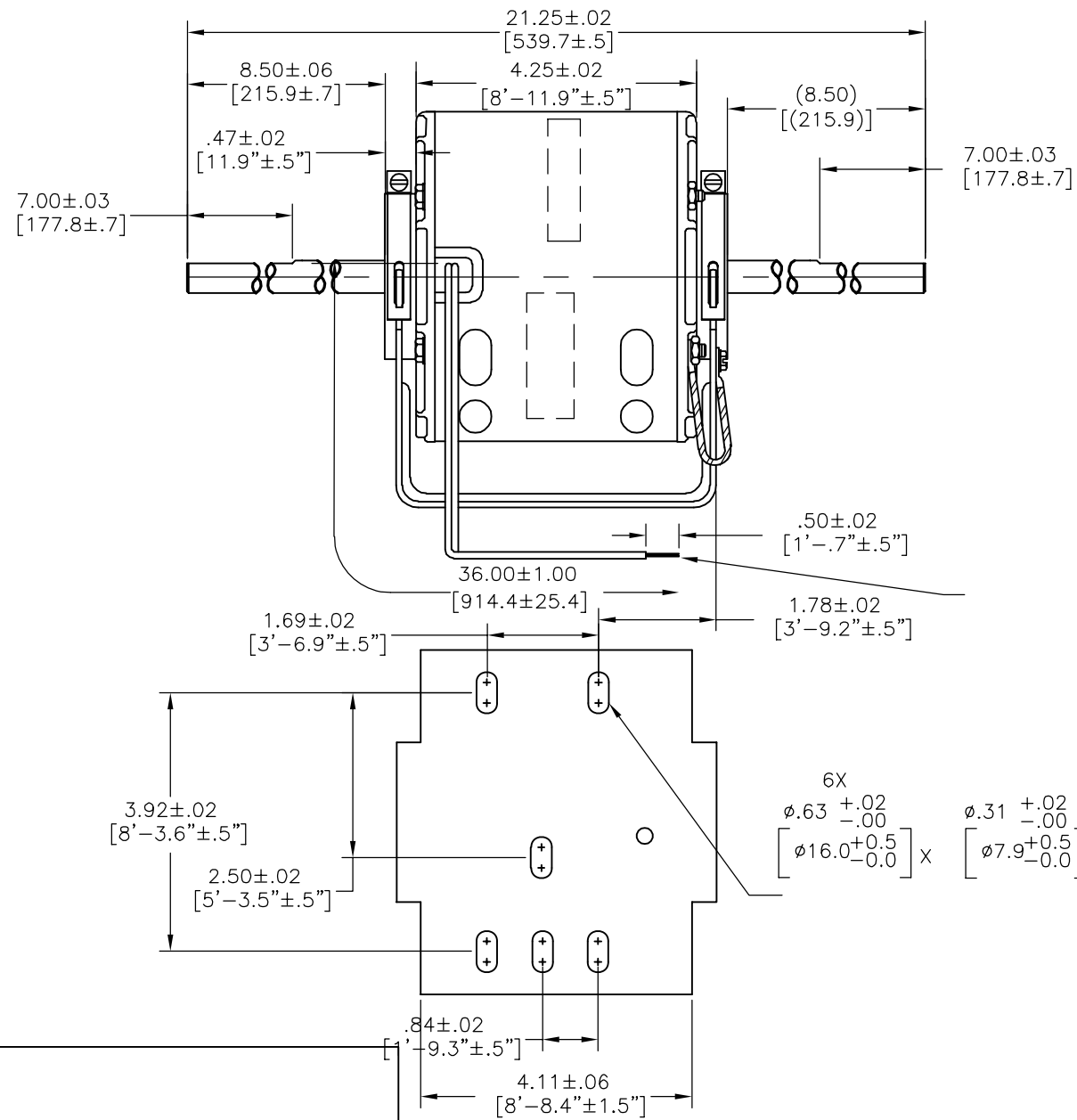
DIBUJADO POR: KGORDON 07-22-2004  
 APROBADO POR: GPIATT  
 TERCER ANGULO DE PROYECCION  
 FECHA EDS: 11-11-2011  
 REV. FORMATO: H  
 CONFIDENCIAL: ESTE DIBUJO Y SU INFORMACION SON PROPIEDAD DE USO EXCLUSIVO Y CONFIDENCIAL DE REGAL-BELOIT CORPORATION. Y NO DEBERAN SER REVELADOS, DUPLICADOS, DISTRIBUIDOS O USARSE DE OTRA MANERA SIN EL CONSENTIMIENTO ESCRITO DE REGAL-BELOIT CORPORATION. -TODOS LOS DERECHOS RESERVADOS.

ROT: CCWLE-CWSE

PLACA DE DATOS:  
 Tipp City, OH THERMALLY PROTECTED  
 SER. DATE & PO# PLT LTR MOD DE3J092N# STK #9637  
 VOLTS 230 HZ 60 AMPS 2.9  
 RPM 1050 SP2 PH1 CAP ← ROTATION →  
 INS A CL AMB 40°C 1/6 HP  
 BRG SLV  
 ASSEMBLED IN MEXICO

REGAL REGAL-BELOIT CORPORATION  
 DESCRIPCION: MODEL-RFHP-42FR OUTLINE  
 TAMAÑO: C NUMERO DE DIBUJO: DA3J7092  
 ESCALA: NONE HOJA: 1

版本	ECO	编制	日期	批准	日期
F	0029022	A.ARREOLA	17-10-2012	R.RASCON	17-10-2012



6X  
 $\phi .63 \begin{matrix} +.02 \\ -.00 \end{matrix}$   
 $\left[ \phi 16.0 \begin{matrix} +0.5 \\ -0.0 \end{matrix} \right] \times \left[ \phi 7.9 \begin{matrix} +0.5 \\ -0.0 \end{matrix} \right]$

ROT: CCWLE-CWSE



SER. DATE & PO# PLT LTR MOD DE3J092N# STK #9637

VOLTS 230 HZ 60 AMPS 2.9

RPM 1050 SP2 PH1 CAP ← ROTATION →

INS A CL AMB 40°C 1/6 HP

BRG SLV

ASSEMBLED IN MEXICO

- 形位公差
- 平面度
- 直线度
- ∠ 倾斜度
- ⊥ 垂直度
- // 平行度
- 圆度
- ⊘ 圆柱度
- ⊙ 面轮廓度
- ⌒ 线轮廓度
- ↻ 圆跳动
- ⊕ 位置度
- ⊙ 同轴度
- ≡ 对称度

ASME Y14.5M 1994

REGAL-BELOIT CORPORATION (RBC) 在个别领域为客户提供技术支持。鉴于RBC未收到任何涉及电机使用和应用环境的数据，电机的适用性由客户自己决定。

未注公差尺寸仅供参考。

绘图: KGORDON 07-22-2004

批准: GPIATT

第三角投影 图纸格式发布日期 11-11-2011 图纸格式版本 H

机密: 本图纸及相关信息所有权归REGAL-BELOIT CORPORATION。未经REGAL-BELOIT CORPORATION书面授权, 不得泄露、复制、传播或作其他用途。—版权所有

**REGAL** REGAL-BELOIT CORPORATION

名称 MODEL-RFHP-42FR OUTLINE

图幅 C 图号 DA3J7092

比例 NONE 页号 1