

PRODUCT INFORMATION PACKET



Model No: 9638
Catalog No: 9638

Fan and Blower Motor, 1/10 HP, 1 Ph, 60 Hz, 230 V, 1550 RPM, 1 Speed, 42 Frame, SEMI ENCLOSED



Regal and Century are trademarks of Regal Rexnord Corporation or one of its affiliated companies.
©2022 Regal Rexnord Corporation, All Rights Reserved. MC017097E





Nameplate Specifications

Output HP	1/10 Hp	Output KW	0.07 kW
Frequency	60 Hz	Voltage	230 V
Current	2.9 A	Speed	1550 rpm
Service Factor	1	Phase	1
Duty	Air Over	Insulation Class	B
Frame	42Y	Enclosure	Semi Enclosed
Thermal Protection	Automatic	Ambient Temperature	40 °C
UL	Recognized	CSA	Y
CE	N	Number of Speeds	1

Technical Specifications

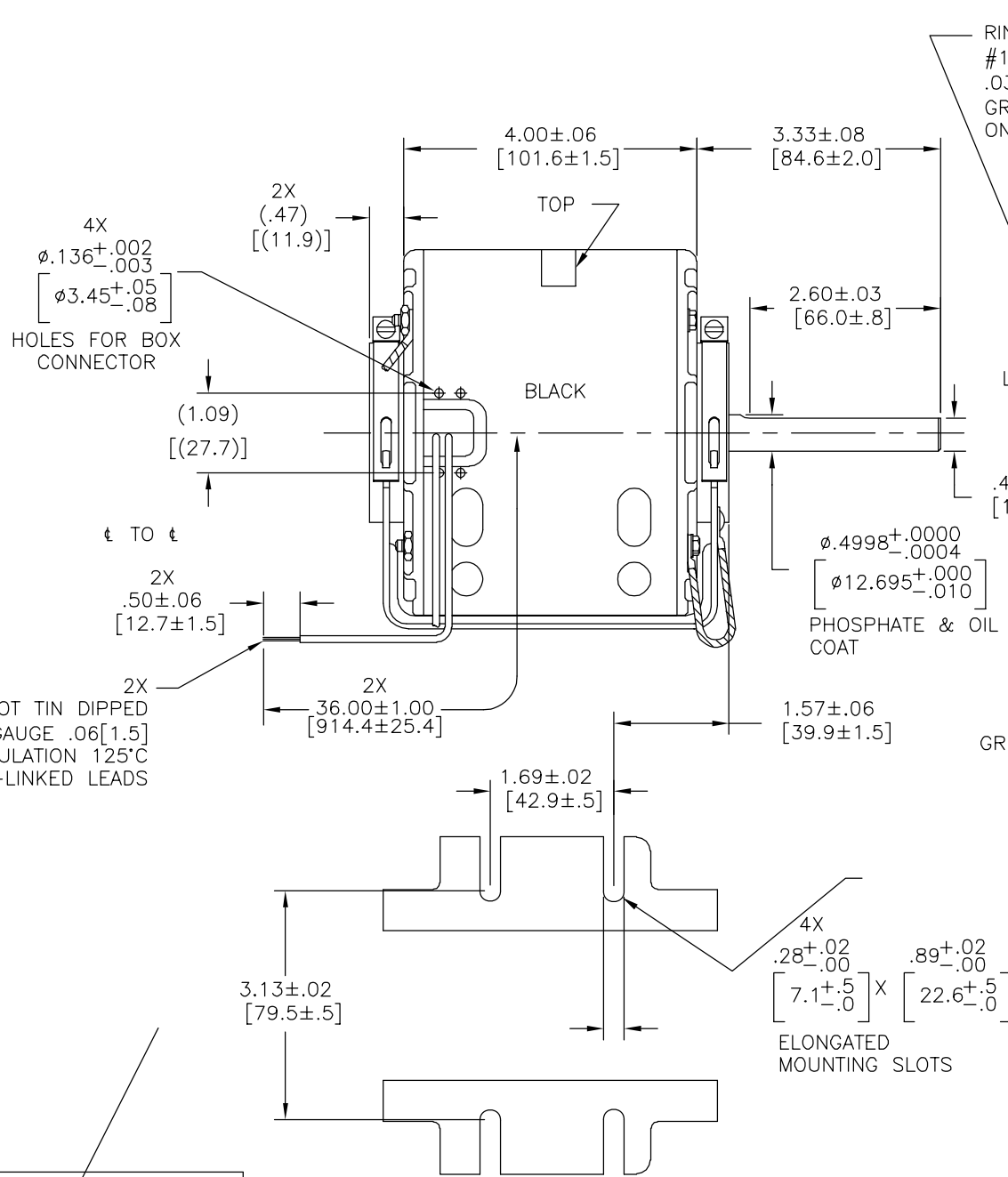
Electrical Type	Shaded Pole	Starting Method	Across The Line
Poles	4	Rotation	Clockwise Lead End
Mounting	Resilient Base	Motor Orientation	Horizontal
Drive End Bearing	Sleeve	Opp Drive End Bearing	Sleeve
Frame Material	Rolled Steel	Shaft Type	Flat
Overall Length	7.33 in	Frame Length	3.42 in
Shaft Diameter	0.500 in	Shaft Extension	3.33 in
Outline Drawing	DA2F7096-S01		

This is an uncontrolled document once printed or downloaded and is subject to change without notice. Date Created:11/29/2022

CUSTOMER IS SOLELY RESPONSIBLE FOR MOTOR PERFORMANCE AND SUITABILITY IN APPLICATIONS FOR CUSTOMER'S USE

REV	ECO	REV BY	DATE	APPD	DATE
F	0029022	A.ARREOLA	10-17-2012	R.RASCON	10-17-2012

ENDPLAY .005[0.13] MINIMUM-.040[1.02] MAXIMUM
 MAXIM SHAFT RUN OUT .001[.03] PER INCH
 MAXIM RUN OUT NOT TO EXCEED .0075[.191]



NOTES:
 DISTRIBUTION: CUSTOMER PART NUMBER: 9638
 GRAINGER: CUSTOMER PART NUMBER: 4MA15

ELECTRICALLY PER
 SAMPLE 0442362C
 CURVE #32252

GEOMETRIC CHARACTERISTICS & SYMBOLS
 ▭ FLATNESS
 — STRAIGHTNESS
 ∠ ANGULARITY
 ⊥ PERPENDICULARITY (SQUARENESS)
 ∥ PARALLELISM
 ○ ROUNDNESS (CIRCULARITY)
 ⌀ CYLINDRICITY
 △ PROFILE OF ANY SURFACE
 ∩ PROFILE OF ANY LINE
 ↗ RUNOUT
 ⊕ TRUE POSITION
 ⊙ CONCENTRICITY
 = SYMMETRY
 ASME Y14.5M 1994

REGAL-BELOIT CORPORATION (RBC) PROVIDES TECHNICAL ASSISTANCE TO OUR CUSTOMERS IN SEVERAL AREAS. SINCE RBC DOES NOT RECEIVE ALL DATA CONCERNING THE USE AND APPLICATION OF THE MOTOR, THE SUITABILITY OF THE MOTOR FOR THE APPLICATION MUST BE DETERMINED BY THE CUSTOMER.

DIMENSIONS WITHOUT TOLERANCES ARE FOR REFERENCE ONLY.

DR BY:

APPD: GPIATT

THIRD ANGLE PROJECTION

EDS DATE 11-11-2011
 FORMAT REV H
 CONFIDENTIAL: THIS DRAWING AND ITS INFORMATION ARE THE EXCLUSIVE AND CONFIDENTIAL PROPERTY OF REGAL-BELOIT CORPORATION AND ARE NOT TO BE DISCLOSED, DUPLICATED, DISTRIBUTED OR OTHERWISE USED WITHOUT THE WRITTEN CONSENT OF REGAL-BELOIT CORPORATION. -ALL RIGHTS RESERVED.

ROT: CWLE-CCWSE

NAMEPLATE DATA:



Tipp City, OH
 THERMALLY PROTECTED



SER. DATE & PO# PLT LTR MOD DA2F096N' []
 VOLTS 230 HZ 60 AMPS 2.9
 RPM 1550 SP PH1 CAP
 INS CL B AMB 40°C HP 1/10 CONT A.O. ROTATION →
 BRG SLV ASSEMBLED IN MEXICO



REGAL-BELOIT CORPORATION

DESCRIPTION

MODEL-RFHP-42FR
 OUTLINE

SIZE

C

DWG NO

DA2F7096

SCALE NONE

SHEET 1

SEE NOTE

4

3

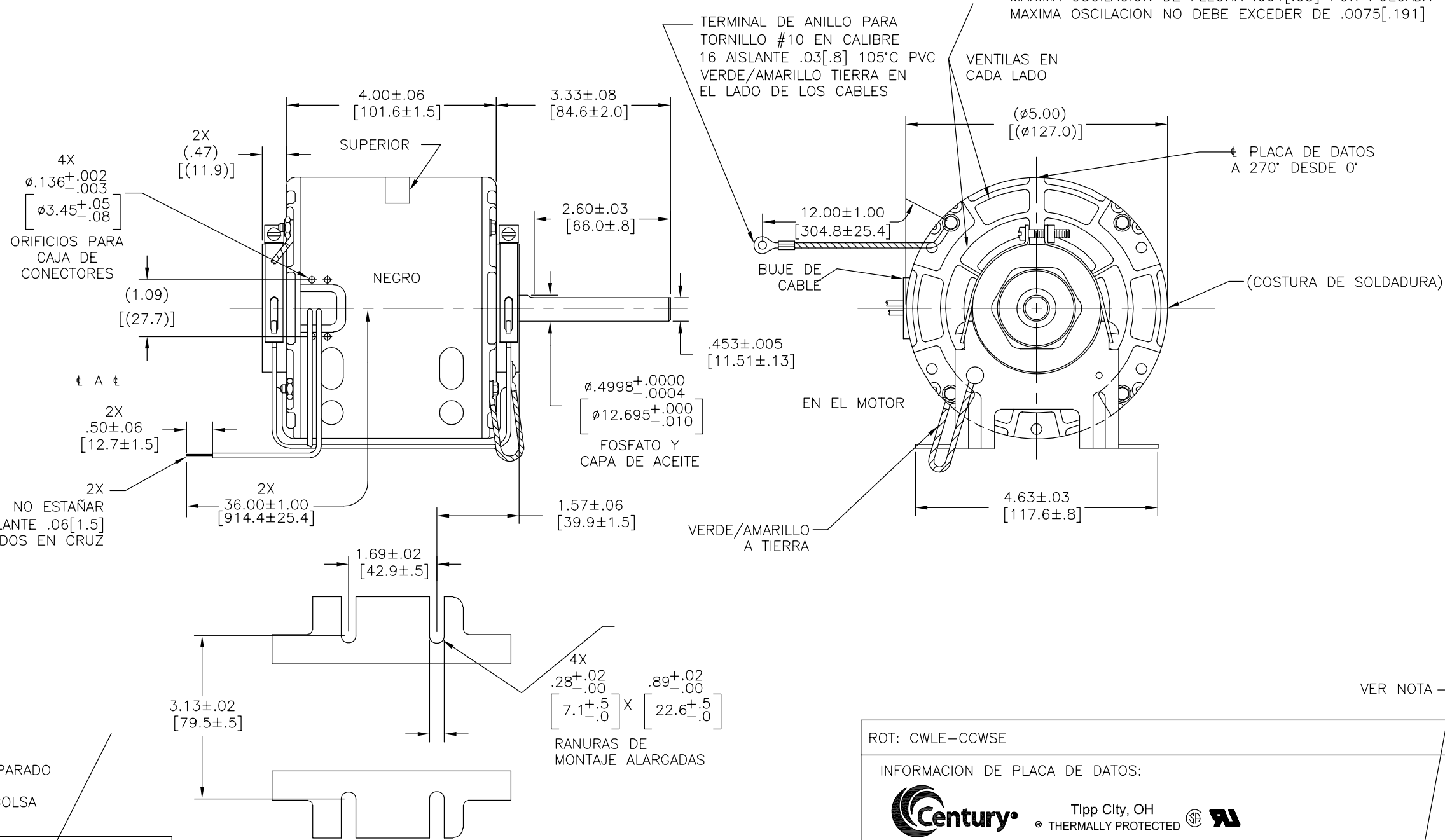
2

1

EL CLIENTE ES TOTALMENTE RESPONSABLE DEL RENDIMIENTO DEL MOTOR Y APLICACIONES CONVENIENTES PARA LOS USOS DEL CLIENTE.

REVISION:	ECO	REVISADO POR:	FECHA:	APROBADO POR:	FECHA:
F	0029022	A.ARREOLA	10-17-2012	R.RASCON	10-17-2012

JUEGO AXIAL .005[0.13] MININIMO-.040[1.02] MAXIMO
 MAXIMA OSCILACION DE FLECHA .001[.03] POR PULGADA
 MAXIMA OSCILACION NO DEBE EXCEDER DE .0075[.191]



NOTA:
 DISTRIBUCION: NUMERO DE PARTE DEL CLIENTE: 9638
 GRAINGER: NUMERO DE PARTE DEL CLIENTE: 4MA15

ELECTRICAMENTE POR MUESTRA 0442362C CURVA #32252

ROT: CWLE-CCWSE

INFORMACION DE PLACA DE DATOS:

Tipp City, OH
 THERMALLY PROTECTED

SER. DATE & PO# PLT LTR MOD DA2F096N' []
 VOLTS 230 HZ 60 AMPS 2.9
 RPM 1550 SP PH1 CAP
 INS CL B AMB 40°C HP 1/10 CONT A.O. ROTATION
 BRG SLV ASSEMBLED IN MEXICO

CARACTERISTICAS DE GEOMETRIA Y SIMBOLOS

- PLANICIDAD
- RECTITUD
- ∠ ANGULARIDAD
- ⊥ PERPENDICULARIDAD (A ESQUADRA)
- // PARALELISMO
- REDONDEZ (CIRCULARIDAD)
- ⊘ CILINDRICIDAD
- △ PERFIL DE CUALQUIER SUPERFICIE
- ▽ PERFIL DE CUALQUIER LINEA
- ∩ VARIACION
- ⊕ POSICION REAL
- ⊙ CONCENTRICIDAD
- ≡ SIMETRIA

ASME Y14.5M 1994

REGAL-BELOIT CORPORATION (RBC) PROVEE ASISTENCIA TECNICA A NUESTROS CLIENTES EN VARIAS AREAS. DESDE QUE RBC NO RECIBE TODOS LOS DATOS EN RELACION AL USO Y A LA APLICACION DEL MOTOR, LA APLICACION ADECUADA DEL MOTOR DEBE SER DETERMINADA POR EL CLIENTE.

DIMENSIONES SIN TOLERANCIA SON DE REFERENCIA SOLAMENTE

DIBUJADO POR:	
APROBADO POR:	GPIATT
TERCER ANGULO DE PROYECCION	FECHA EDS: 11-11-2011 REV. FORMATO: H
CONFIDENCIAL: ESTE DIBUJO Y SU INFORMACION SON PROPIEDAD DE USO EXCLUSIVO Y CONFIDENCIAL DE REGAL-BELOIT CORPORATION. Y NO DEBERAN SER REVELADOS, DUPLICADOS, DISTRIBUIDOS O USARSE DE OTRA MANERA SIN EL CONSENTIMIENTO ESCRITO DE REGAL-BELOIT CORPORATION. -TODOS LOS DERECHOS RESERVADOS.	

REGAL REGAL-BELOIT CORPORATION	
DESCRIPCION: MODEL-RFHP-42FR OUTLINE	
TAMAÑO: C	NUMERO DE DIBUJO: DA2F7096
ESCALA: NONE	HOJA: 1

4

3

2

1

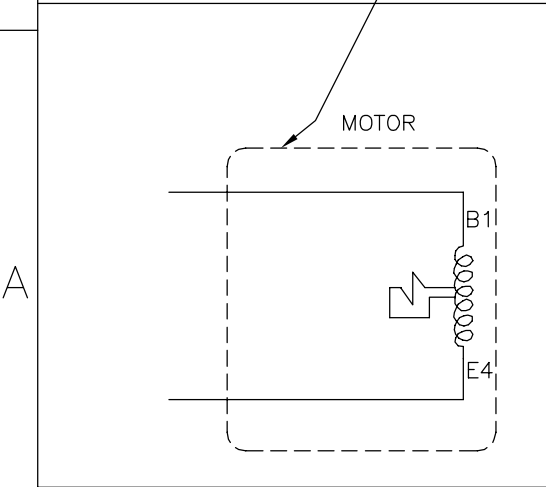
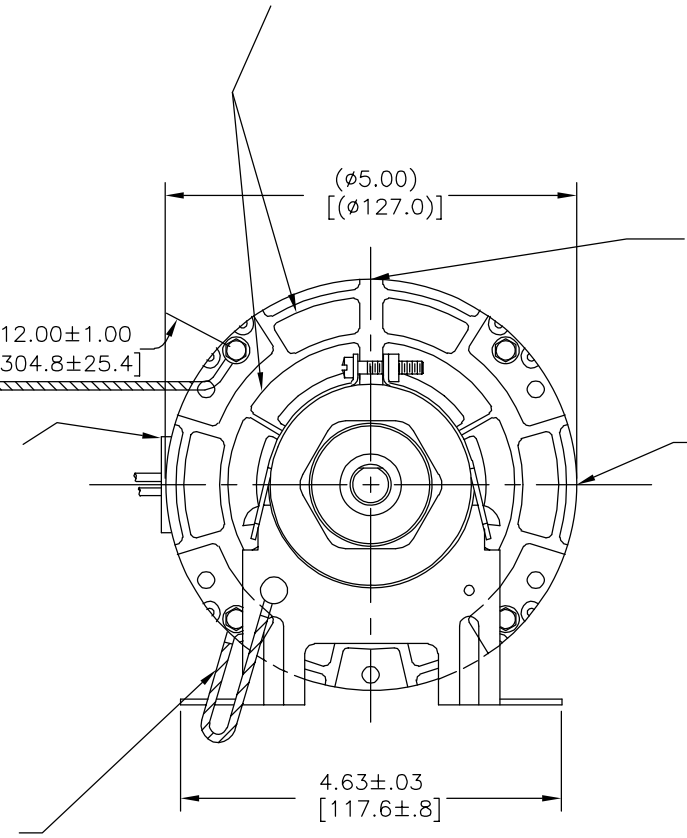
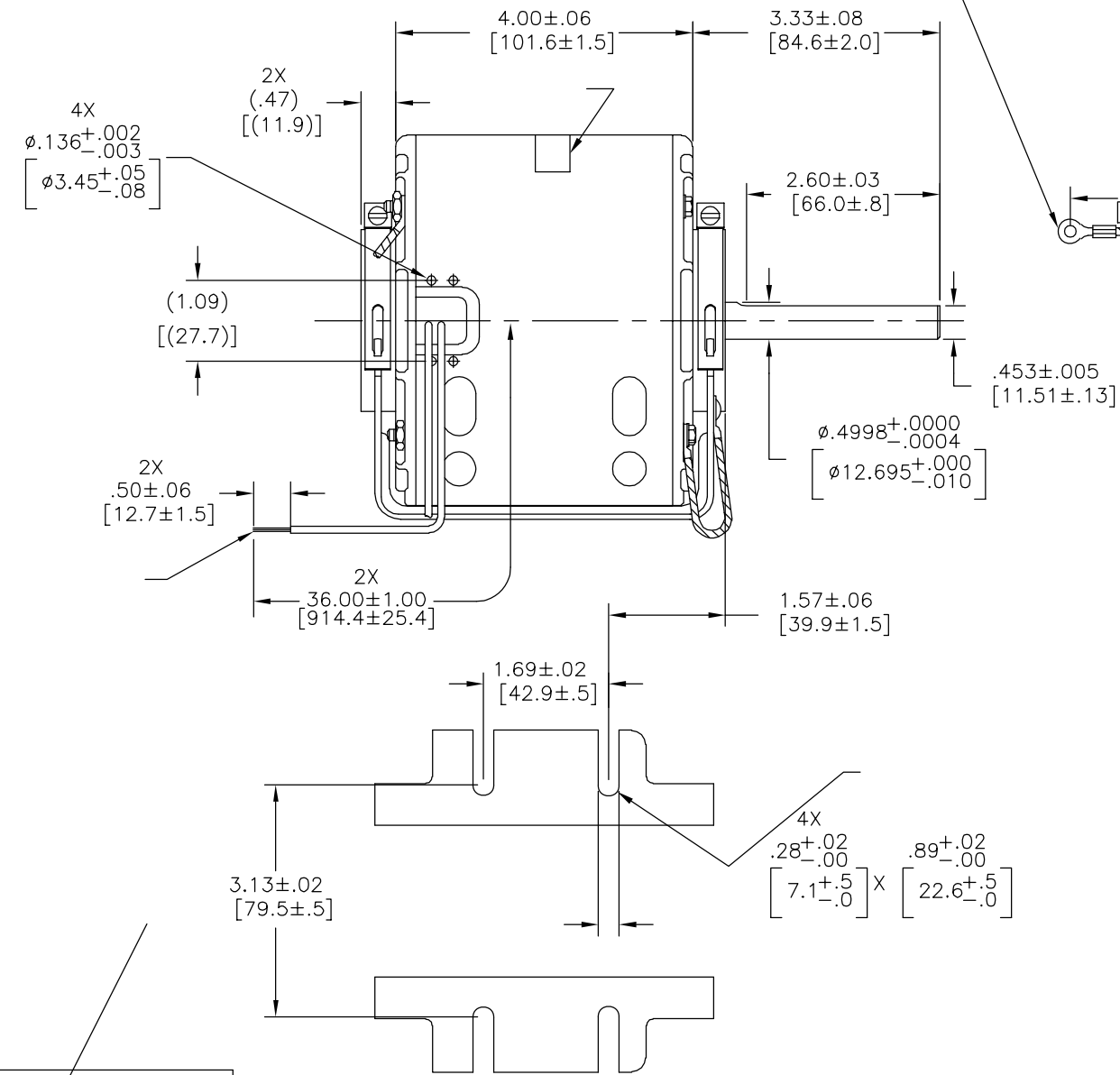
4

3

2

1

版本	ECO	编制	日期	批准	日期
F	0029022	A.ARREOLA	10-17-2012	R.RASCON	10-17-2012



- 形位公差
- 平面度
 - 直线度
 - ∠ 倾斜度
 - ⊥ 垂直度
 - // 平行度
 - 圆度
 - ⊘ 圆柱度
 - ⌒ 面轮廓度
 - ⌒ 线轮廓度
 - ↻ 圆跳动
 - ⊕ 位置度
 - ⊙ 同轴度
 - ≡ 对称度

ASME Y14.5M 1994

REGAL-BELOIT CORPORATION (RBC) 在个别领域为客户提供技术支持。鉴于RBC未收到任何涉及电机使用和应用环境的数据，电机的适用性由客户自己决定。

未注公差尺寸仅供参考。

绘图: GPIATT
 批准: GPIATT
 第三角投影
 机密: 本图纸及相关信息所有权归REGAL-BELOIT CORPORATION。未经REGAL-BELOIT CORPORATION书面授权，不得泄露、复制或传播或作其他用途。—版权所有

ROT: CWLE-CCWSE



SER. DATE & PO# PLT LTR MOD DA2F096N' []
 VOLTS 230 HZ 60 AMPS 2.9
 RPM 1550 SP PH1 CAP
 INS CL B AMB 40°C HP 1/10 CONT A.O. ROTATION →
 BRG SLV ASSEMBLED IN MEXICO



MODEL-RFHP-42FR
 OUTLINE

图幅 C 图号 DA2F7096

比例 NONE 页号 1

4

3

2

1