

PRODUCT INFORMATION PACKET



Model No: 9645

Catalog No: 9645

Fan and Blower Motor, 1/6 HP, 1 Ph, 60 Hz, 208-230 V, 1625 RPM, 1 Speed, 48 Frame, SEMI ENCL



Regal and Century are trademarks of Regal Rexnord Corporation or one of its affiliated companies.

©2025 Regal Rexnord Corporation, All Rights Reserved. MC017097E





Nameplate Specifications

Phase	1	Output HP	1/6 Hp
Output KW	0.13 kW	Voltage	208-230 V
Speed	1625 rpm	Service Factor	1.0
Frame	48Y	Enclosure	Semi Enclosed
Thermal Protection	Automatic	Ambient Temperature	40 °C
Frequency	60 Hz	Current	1.0 A
Duty	Air Over	Insulation Class	B
UL	Recognized	CSA	Y
CE	N	Number of Speeds	1

Technical Specifications

Electrical Type	Permanent Split Capacitor	Starting Method	Across The Line
Poles	4	Rotation	Reversible
Mounting	Resilient Rings	Motor Orientation	Horizontal
Drive End Bearing	Sleeve	Opp Drive End Bearing	Sleeve
Frame Material	Rolled Steel	Shaft Type	Flat
Overall Length	8.61 in	Frame Length	3.00 in
Shaft Diameter	0.500 in	Shaft Extension	4.5 in
Outline Drawing	F48U86A01-S01	Connection Drawing	614131-115

This is an uncontrolled document once printed or downloaded and is subject to change without notice. Date Created:02/10/2025

4

3

2

1

REV	ECO	REV BY	DATE	APPD	DATE
C	0025529	J.M.RAMIREZ	04-24-2012	R.RASCON	04-24-2012

GENERAL INFORMATION:

SHAFT RUNOUT: .001 [.03] T.I.R. PER INCH LENGTH OF EXTENSION

END PLAY: .010 TO .063 [.25 TO 1.60]

BEARINGS: SLEEVE

MOUNTING POSITION: HORIZONTAL

ELECTRICAL DATA:

OVERLOAD PROTECTOR: AUTOMATIC RESET (T.I. 7AM 036)

LEADS: NO. 18 GA., .06 [1.5] THK. PVC 105°C INSUL.

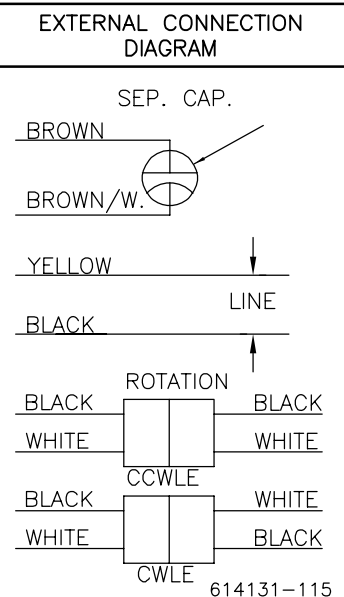
REVERSING LEADS: NO. 18 GA., .03 [.8] THK. 125°C INSUL.

GROUND LEAD: NO. 18 GA., .03 [.8] THK. (GREEN) INSUL.

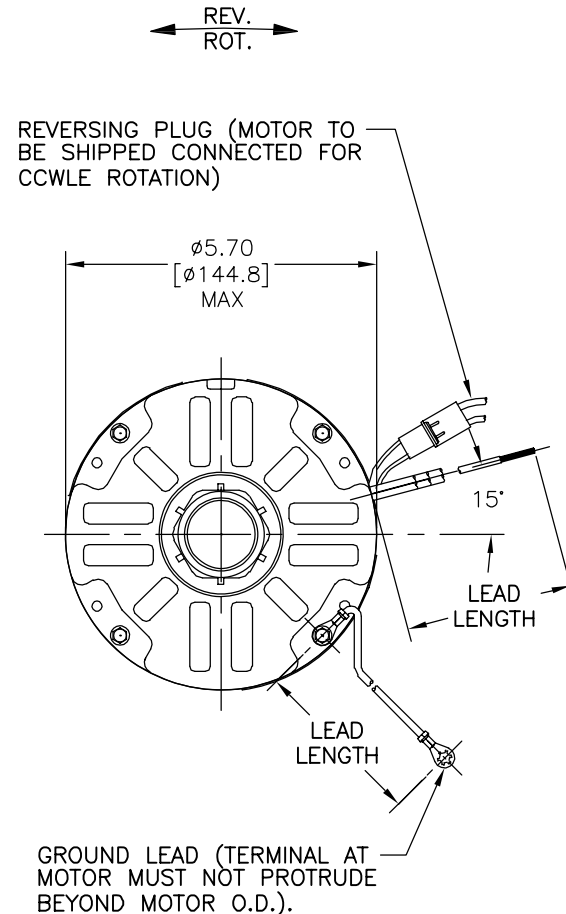
NAMEPLATE DATA:

MODEL NO.: F48U86A01
 CUST. P/N: []
 HP: 1/6
 ROT.: REVERSIBLE
 RPM: 1625
 TYPE: UF
 FRAME: 48Y
 VOLTS: 208-230
 PH: 1
 AMPS: 1.0
 HZ: 60
 INS.: B
 AMB.: 40°C
 DUTY: AIR OVER
 CAP.: 5 MFD/370V
 ENCL: SEMI-ENCL
 UL LOGO
 CSA LOGO
 THERMALLY PROTECTED

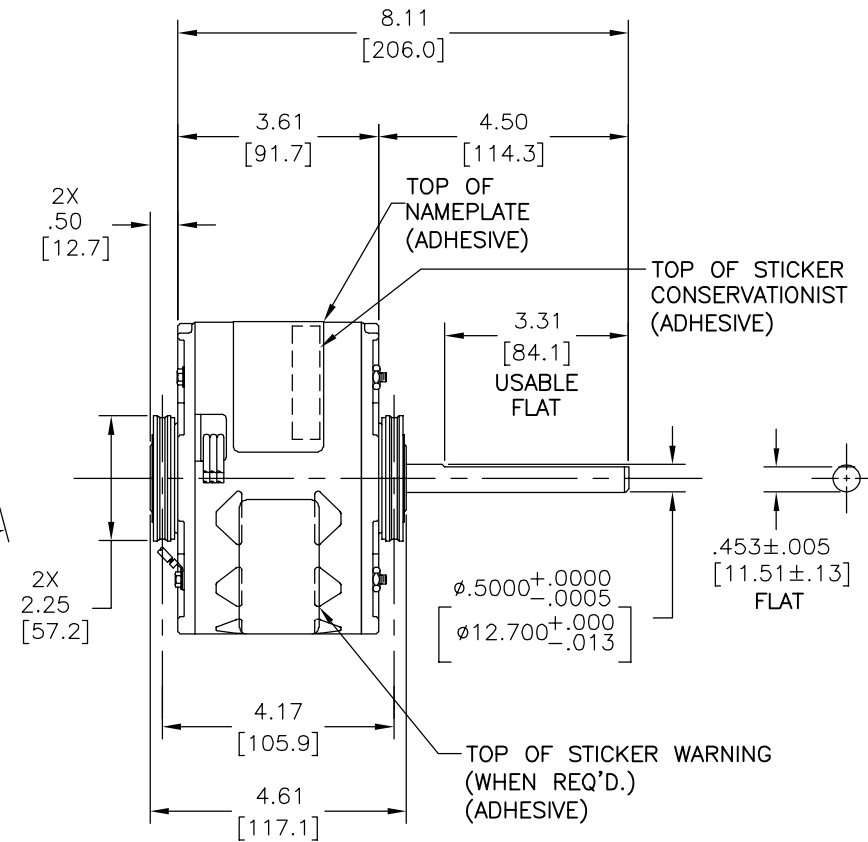
SEE NOTE 2



PERFORMANCE CURVE NO.	TORQUE @ 1625 RPM (25°C)	APPROVED SAMPLE	UL COMPONENT FILE #	CCN #	CSA FILE #	CLASS #
C32237	9.6 OZ. FT.	0442706B	E46412	PRGY2	LR43341	4211-01



GROUND LEAD (TERMINAL AT MOTOR MUST NOT PROTRUDE BEYOND MOTOR O.D.).



GREEN(GRD)	11.0/13.0 [279/330]	#10 EYELET
BLACK/WHITE	3.0/5.0 [76/127]	REVERSING PLUG
BROWN	11.0/13.0 [279/330]	.50[12.7] SKIN
BROWN/WHITE	11.0/13.0 [279/330]	.50[12.7] SKIN
YELLOW	11.0/13.0 [279/330]	.50[12.7] SKIN
BLACK	11.0/13.0 [279/330]	.50[12.7] SKIN
COLOR	LENGTH	TERMINAL OR STRIP LENGTH

- NOTES:
 1. SNAP RINGS 615035 (4 REQ'D.) TO BE PACKED WITH EACH MOTOR
 2. DISTRIBUTION PART NO. 9645 GRAINGER PART NO. 4MB28

MAIN FRAME - OLE	SEMI-ENCL
END FRAME - OLE	OPEN
MAIN FRAME - LE	SEMI-ENCL
END FRAME - LE	OPEN

CUSTOMER	DISTRIBUTION SERVICE
----------	----------------------

GEOMETRIC CHARACTERISTICS & SYMBOLS
 □ FLATNESS
 — STRAIGHTNESS
 < ANGLARITY
 ⊥ PERPENDICULARITY (SQUARENESS)
 // PARALLELISM
 ○ ROUNDNESS (CIRCULARITY)
 ∅ CYLINDRICITY
 △ PROFILE OF ANY SURFACE
 ∩ PROFILE OF ANY LINE
 ↑ RUNOUT
 ⊕ TRUE POSITION
 ⊙ CONCENTRICITY
 = SYMMETRY
 ASME Y14.5M 1994

REGAL-BELOIT CORPORATION (RBC) PROVIDES TECHNICAL ASSISTANCE TO OUR CUSTOMERS IN SEVERAL AREAS. SINCE RBC DOES NOT RECEIVE ALL DATA CONCERNING THE USE AND APPLICATION OF THE MOTOR, THE SUITABILITY OF THE MOTOR FOR THE APPLICATION MUST BE DETERMINED BY THE CUSTOMER.
 DIMENSIONS WITHOUT TOLERANCES ARE FOR REFERENCE ONLY.

DR BY: GORDON 06-25-2004
 APPD: PIATT 06-28-2004
 THIRD ANGLE PROJECTION
 EDS DATE 11-11-2011
 FORMAT REV G
 CONFIDENTIAL: THIS DRAWING AND ITS INFORMATION ARE THE EXCLUSIVE AND CONFIDENTIAL PROPERTY OF REGAL-BELOIT CORPORATION AND ARE NOT TO BE DISCLOSED, DUPLICATED, DISTRIBUTED OR OTHERWISE USED WITHOUT THE WRITTEN CONSENT OF REGAL-BELOIT CORPORATION. -ALL RIGHTS RESERVED.

REGAL-BELOIT CORPORATION
 DESCRIPTION: MODEL-RFHP-48FR OUTLINE
 SIZE: C DWG NO: F48U86A01
 SCALE: NONE SHEET: 1

4

3

2

1

4

3

2

1

REVISION:	ECO	REVISADO POR:	FECHA:	APROBADO POR:	FECHA:
C	0025529	J.M.RAMIREZ	04-24-2012	R.RASCON	04-24-2012

INFORMACION GENERAL:

OSCILACION DE FLECHA: .001 [.03] L.T.I POR LONG DE PULGADA DE EXT.

JUEGO AXIAL: .010 A .063 [.25 A 1.60]

BALEROS: MANGA

POSICION DEL MONTAJE: HORIZONTAL

INFORMACION ELECTRICA:

SOBRECARGA DEL PROTECTOR: REINICIO AUTOMATIC (T.I. 7AM 036)

CABLES: CAL. NO. 18, .06 [1.5] GROSOR. PVC 105°C AISL.

CABLES DE CONTRAMARCHA: CAL. NO. 18, .03 [.8] GROSOR 125°C AISL.

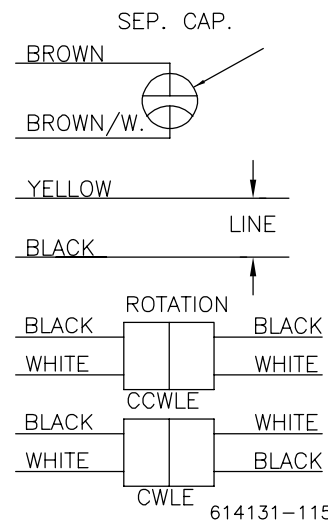
CABLE DE TIERRA: CAL. NO. 18, .03 [.8] GROSOR. (VERDE) AISL.

VER NOTA 2

INFORMACION DE ETIQUETA:

MODEL NO.: F48U86A01
 CUST. P/N: [-----]
 HP: 1/6
 ROT.: REVERSIBLE
 RPM: 1625
 TYPE: UF
 FRAME: 48Y
 VOLTS: 208-230
 PH: 1
 AMPS: 1.0
 HZ: 60
 INS.: B
 AMB.: 40°C
 DUTY: AIR OVER
 CAP.: 5 MFD/370V
 ENCL: SEMI-ENCL
 UL LOGO
 CSA LOGO
 THERMALLY PROTECTED

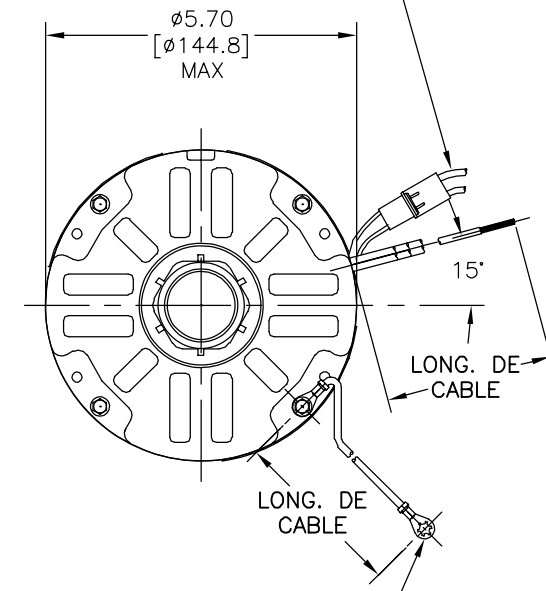
DIAGRAMA DE CONEXION EXTRNA



614131-115

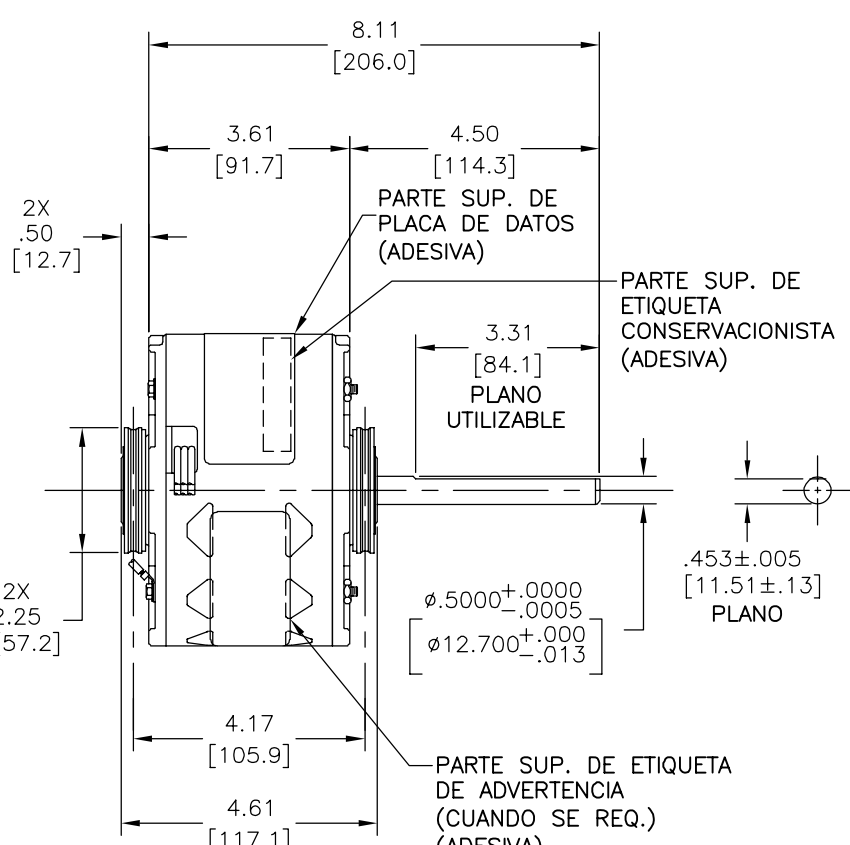
CURVAS DE FUNCIONAMIENTO	TORSION @	MUESTRA APROBADA	COMPONENTE UL		CSA	
	RPM (25°C)		#ARCHIVO	CCN #	#ARCHIVO	CLASE #
C32237	9.6 OZ. FT.	0442706B	E46412	PRGY2	LR43341	4211-01

CLAVIJA DE CONTRAMARCHA (MOTOR DEBE SER EMBARCADO CONECTADO PARA ROTACION CCWLE)



CABLE DE TIERRA (TERMINAL DEL MOTOR NO DEBE SOBRESALIR MAS AYA DE LA DIMENSION EXTERIOR DEL MOTOR).

VERDE(TIERRA)	11.0/13.0 [279/330]	OJAL #10
NEGRO/BLANCO	3.0/5.0 [76/127]	CLAVIJA DE CONTRAMARCHA
CAFE	11.0/13.0 [279/330]	.50[12.7] FORRO
CAFE/BLANCO	11.0/13.0 [279/330]	.50[12.7] FORRO
AMARILLO	11.0/13.0 [279/330]	.50[12.7] FORRO
NEGRO	11.0/13.0 [279/330]	.50[12.7] FORRO
COLOR	LONGITUD	TERMINAL O LONGITUD DE DESFORRE



- NOTAS:
 1. AROS DE RESORTE 615035 (4 REQ.) PARA SER EMPACADOS CON CADA MOTOR.
 2. NO. DE PARTE DE DISTRIBUCION 9645
 NO. DE PARTE GRAINGER 4MB28

DE CARCASA - OLE	SEMI-CERRADO
DE TAPA - OLE	ABIERTO
DE CARCASA - LE	SEMI-CERRADO
DE TAPA - LE	ABIERTO

CLIENTE	DISTRIBUTION SERVICE
---------	----------------------

CARACTERISTICAS DE GEOMETRIA Y SIMBOLOS
 □ PLANICIDAD
 — RECTITUD
 < ANGULARIDAD
 ⊥ PERPENDICULARIDAD (A ESCUADRA)
 // PARALELISMO
 ○ REDONDEZ (CIRCULARIDAD)
 ∅ CILINDRICIDAD
 △ PERFIL DE CUALQUIER SUPERFICIE
 ∇ PERFIL DE CUALQUIER LINEA
 ∠ VARIACION
 ⊕ POSICION REAL
 ⊙ CONCENTRICIDAD
 = SIMETRIA
 ASME Y14.5M 1994

REGAL-BELOIT CORPORATION (RBC) PROVEE ASISTENCIA TECNICA A NUESTROS CLIENTES EN VARIAS AREAS. DESDE QUE RBC NO RECIBE TODOS LOS DATOS EN RELACION AL USO Y A LA APLICACION DEL MOTOR, LA APLICACION ADECUADA DEL MOTOR DEBE SER DETERMINADA POR EL CLIENTE.

DIMENSIONES SIN TOLERANCIA SON DE REFERENCIA SOLAMENTE

DIBUJADO POR: GORDON 06-25-2004
 APROBADO POR: PIATT 06-28-2004
 TERCER ANGULO DE PROYECCION
 FECHA EDS: 11-11-2011
 REV. FORMATO: G
 CONFIDENCIAL: ESTE DIBUJO Y SU INFORMACION SON PROPIEDAD DE USO EXCLUSIVO Y CONFIDENCIAL DE REGAL-BELOIT CORPORATION. Y NO DEBERAN SER REVELADOS, DUPLICADOS, DISTRIBUIDOS O USARSE DE OTRA MANERA SIN EL CONSENTIMIENTO ESCRITO DE REGAL-BELOIT CORPORATION. -TODOS LOS DERECHOS RESERVADOS.

DESCRIPCION: **MODEL-RFHP-48FR OUTLINE**
 TAMAÑO: C NUMERO DE DIBUJO: F48U86A01
 ESCALA: NONE HOJA: 1

4

3

2

1

4

3

2

1

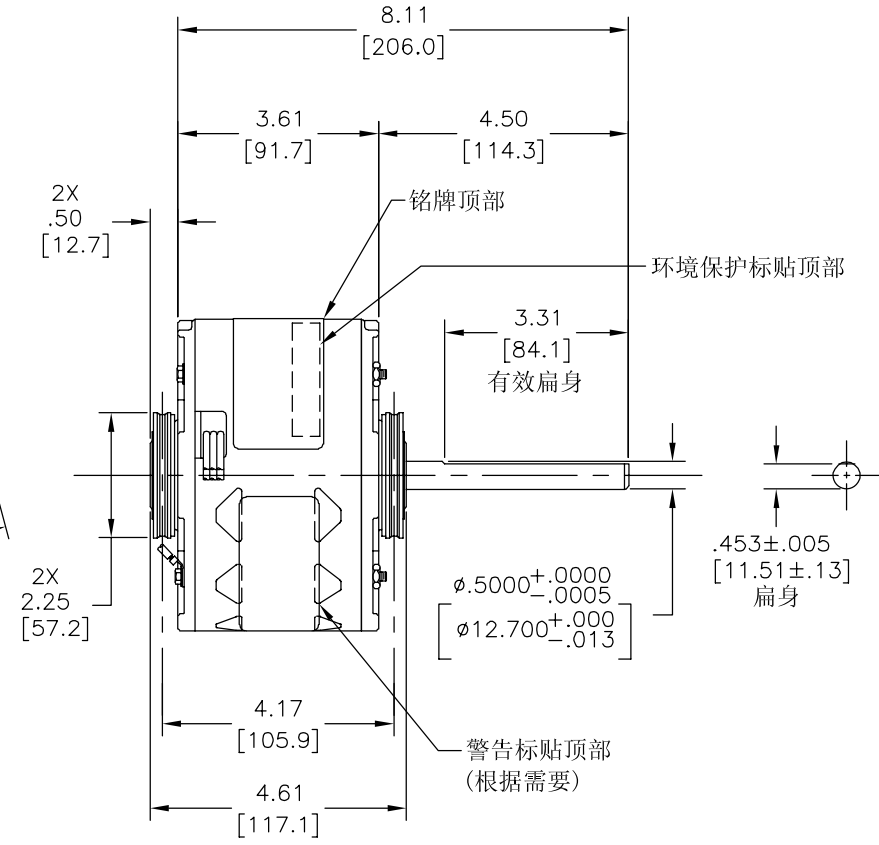
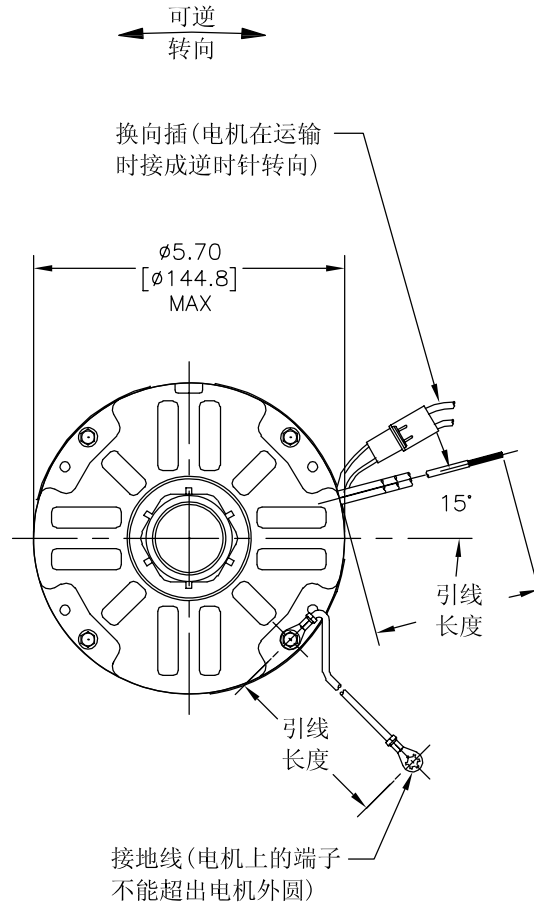
版本	ECO	编制	日期	批准	日期
C	0025529	J.M.RAMIREZ	04-24-2012	R.RASCON	04-24-2012

总要求:

轴跳动:	.001/1 [.03/25.4] (外伸轴)
端部窜动量:	.010 - .063 [.25 - 1.60]
轴承:	含油轴承
安装位置:	水平

电气数据:

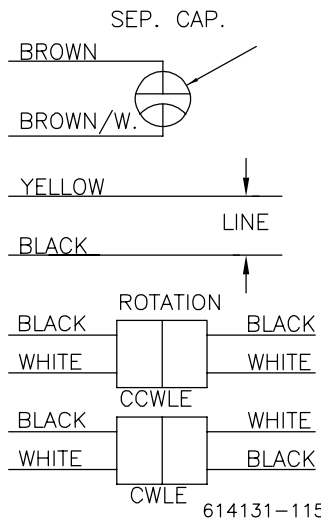
过载保护:	自动复位 (T. I. 7AM 036)
引线:	18GA, 厚.06[1.5] PVC 105°C 绝缘
换向引线:	18GA, 厚.03[.8] 125°C 绝缘
接地线:	18GA, 厚.03[0.8] 绿色绝缘 技术要求2



铭牌数据

外部连接详图

MODEL NO.: F48U86A01
 CUST. P/N: []
 HP: 1/6
 ROT.: REVERSIBLE
 RPM: 1625
 TYPE: UF
 FRAME: 48Y
 VOLTS: 208-230
 PH: 1
 AMPS: 1.0
 HZ: 60
 INS.: B
 AMB.: 40°C
 DUTY: AIR OVER
 CAP.: 5 MFD/370V
 ENCL: SEMI-ENCL
 UL LOGO
 CSA LOGO
 THERMALLY PROTECTED



绿(接地)	11.0/13.0 [279/330]	#10 金属圈
黑/白	3.0/5.0 [76/127]	换向插
棕	11.0/13.0 [279/330]	.50 [12.7] 剥皮长
棕/白	11.0/13.0 [279/330]	.50 [12.7] 剥皮长
黄	11.0/13.0 [279/330]	.50 [12.7] 剥皮长
黑	11.0/13.0 [279/330]	.50 [12.7] 剥皮长
颜色	长度	端子或剥线长度

技术要求:

- 每个电机和4个卡环615035一起包装.
- 分销零件号: 9645
GRAINGER零件号: 4MB28

非引线端机壳	半封闭
非引线端端盖	开启
引线端机壳	半封闭
引线端端盖	开启

用户	DISTRIBUTION SERVICE
----	----------------------

性能曲线编号	转矩在1625RPM (25° C)	批准样品	UL部件	CSA
C32237	9.6 OZ. FT.	0442706B	文件号 指南	文件号 指南
			E46412 PRGY2	LR43341 4211-01

形位公差	平面度
	直线度
	倾斜度
	垂直度
	平行度
	圆度
	圆柱度
	面轮廓度
	线轮廓度
	圆跳动
	位置度
	同轴度
	对称度

ASME Y14.5M 1994

REGAL-BELOIT CORPORATION (RBC) 在个别领域为客户提供技术支持。鉴于RBC未收到任何涉及电机使用和应用环境的数据, 电机的适用性由客户自己决定。

未注公差尺寸仅供参考。

绘图:	GORDON	06-25-2004
批准:	PIATT	06-28-2004
第三角投影		图纸格式发布日期 11-11-2011 图纸格式版本 G
机密: 本图纸及相关信息所有权归REGAL-BELOIT CORPORATION。未经REGAL-BELOIT CORPORATION书面授权, 不得泄露、复制、传播或作其他用途。一版权所有		

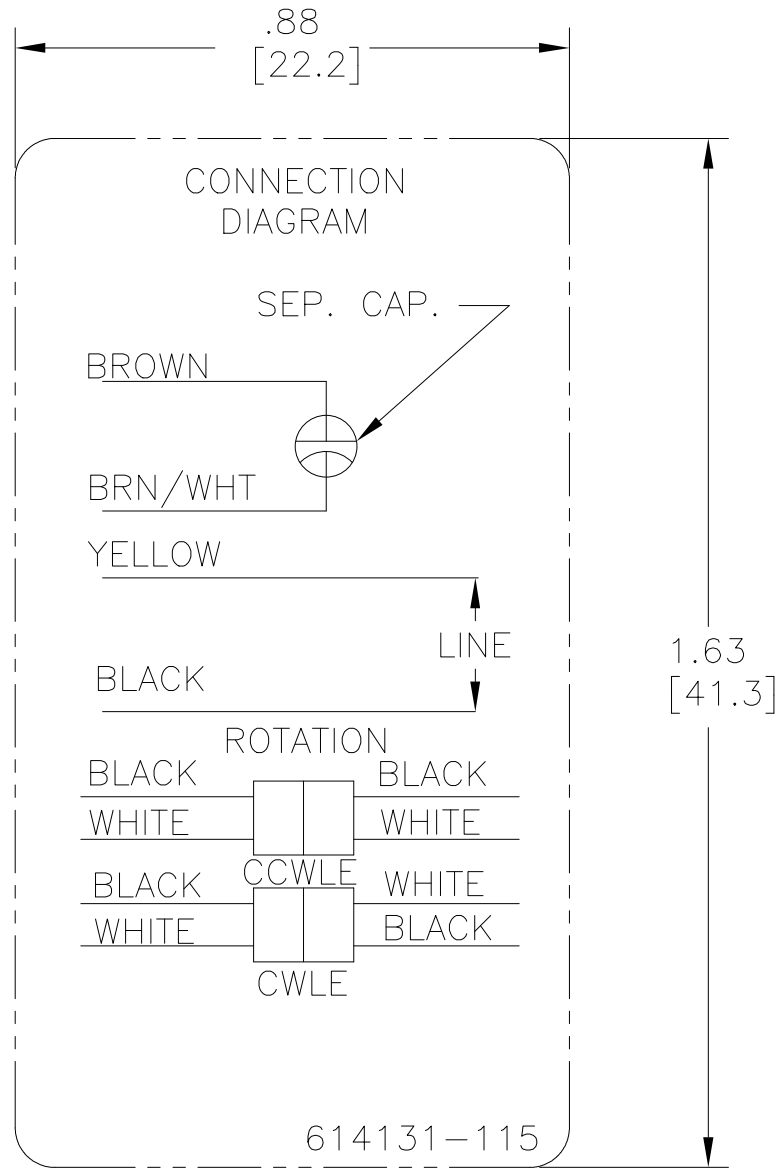
名称		REGAL-BELOIT CORPORATION	
MODEL-RFHP-48FR OUTLINE			
图幅	C	图号	F48U86A01
比例	NONE	页号	1

4

3

2

1



NOTES:

1. FOR USE WITH 614129 NAMEPLATE BLANK
2. — — — — — INDICATES DIMENSION LIMITS
3. DIE TO BE MADE FROM MASTER SUPPLIED BY A. O. SMITH CORPORATION

4. DIE MUST PRODUCE A LEGIBLE IMPRESSION

DRAWING REVISION D	REVISION BY J. RUPERT	DATE 09-09-2021
ECO NMR-0210333	APPROVED BY J. RUPERT	DATE 09-09-2021

ECO DESCRIPTION
REVISED FOR UP ISSUE

COPYRIGHT REGAL BELOIT AMERICA, INC. ALL RIGHTS RESERVED. PROPRIETARY AND CONFIDENTIAL INFORMATION - THIS DOCUMENT IS THE PROPERTY OF REGAL BELOIT AMERICA, INC. ("OWNER") AND CONTAINS OWNER'S PROPRIETARY INFORMATION. ANY PERSON, CORPORATION OR OTHER FIRM RECEIVING IT IS DEEMED, BY RECEIVING IT, TO AGREE THAT IT, AND/OR ANY PART OF IT, SHALL NOT BE DISCLOSED TO ANY PERSON, CORPORATION OR OTHER ENTITY, DUPLICATED, AND/OR USED, EXCEPT AS EXPRESSLY APPROVED IN WRITING IN ADVANCE BY OWNER. THIS DOCUMENT SHALL BE RETURNED TO OWNER UPON REQUEST. IT MAY BE SUBJECT TO CERTAIN RESTRICTIONS UNDER APPLICABLE EXPORT CONTROL LAWS AND REGULATIONS.

TOLERANCES UNLESS OTHERWISE SPECIFIED			
DEC.	INCH	mm	ANGLE
.X	±0.1	[±2.5]	±0.5°
.XX	±0.02	[±0.51]	
.XXX	±0.005	[±0.127]	
.XXXX	±0.0005	[±0.0127]	
REMOVE BURRS & BREAK SHARP EDGES .003/.015 [0.076/.381] X 45°			
CORNER FILLETS R.02 [51]			
MACHINED SURFACES $\sqrt[.125]{\text{mm}} \sqrt[3.2]{\text{INCH}}$			
mm SHOWN IN [BRACKETS]			

DRAWN BY: J. RUPERT	THIRD ANGLE PROJECTION
DATE: 06-24-2010	
APPROVED BY: T. RILEY	
DATE: 06-24-2010	
REFERENCE	

Regal Beloit America, Inc.	
DESCRIPTION CONN DIAGRAM EXTERNAL	
MATERIAL	PROCESS/FINISH
SIZE A	DWG NO 614131-115
SHEET 1	