



Nameplate Specifications

Phase	1	Output HP	1/8 Hp
Output KW	0.10 kW	Voltage	115 V
Speed	1050 rpm	Service Factor	1.0
Frame	42Y	Enclosure	Open Air Over
Thermal Protection	Automatic	Ambient Temperature	40 °C
Frequency	60 Hz	Current	4.2 A
Duty	Continuous Air Over	Insulation Class	B
UL	Recognized	CSA	Y
CE	N	Number of Speeds	1

Technical Specifications

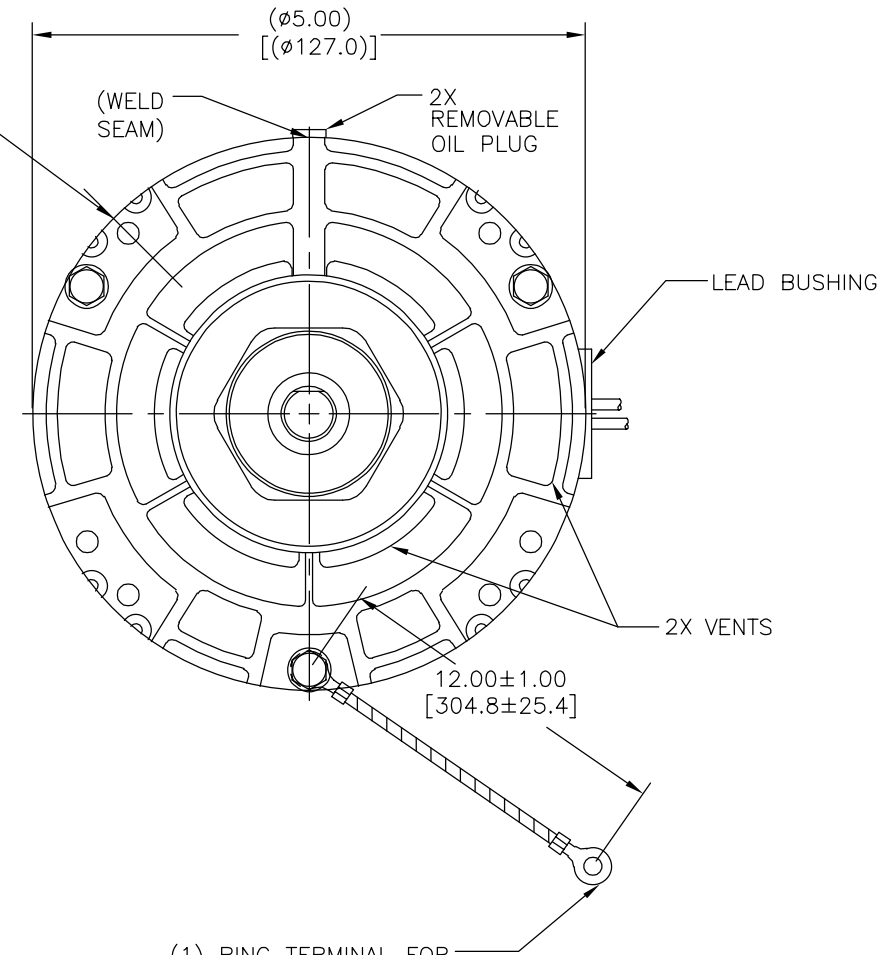
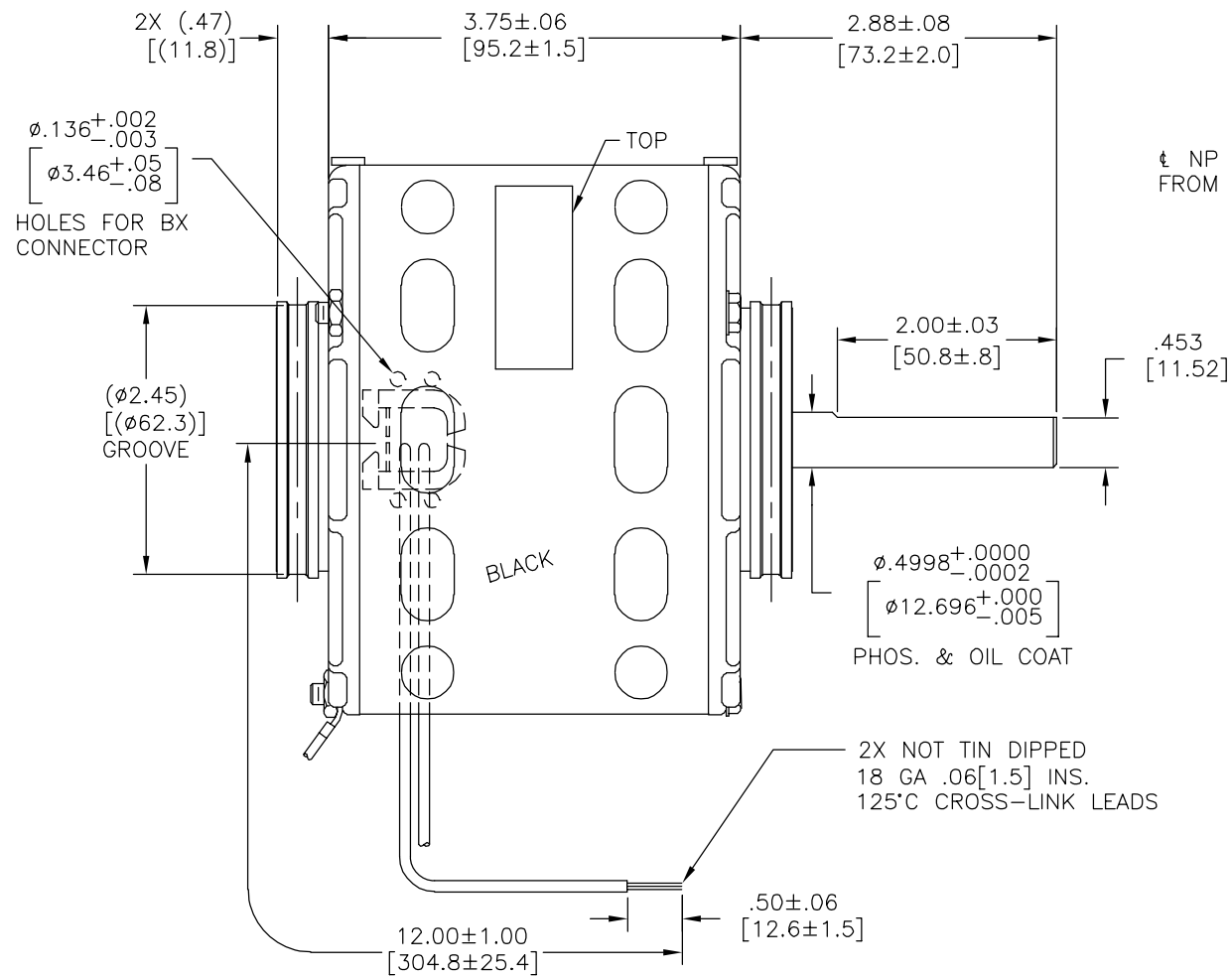
Electrical Type	Shaded Pole	Starting Method	Across The Line
Poles	6	Rotation	Counterclockwise Lead End
Mounting	Resilient Rings	Motor Orientation	Horizontal
Drive End Bearing	Sleeve	Opp Drive End Bearing	Sleeve
Frame Material	Rolled Steel	Shaft Type	Flat
Overall Length	7.10 in	Frame Length	3.17 in
Shaft Diameter	0.500 in	Shaft Extension	2.9 in
Outline Drawing	DA3F7172-S01		

This is an uncontrolled document once printed or downloaded and is subject to change without notice. Date Created:02/10/2025

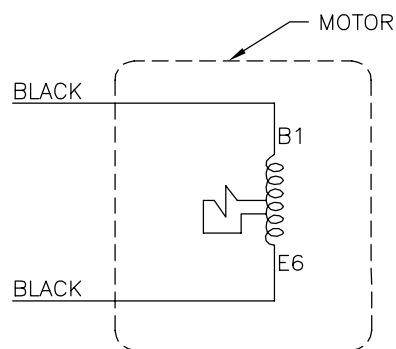
REV	ECO	REV BY	DATE	APPD	DATE
E	0029021	E.SINECIO	10-18-2012	G.ALVIDREZ	10-18-2012

CUSTOMER IS SOLELY RESPONSIBLE FOR MOTOR PERFORMANCE AND SUITABILITY IN APPLICATIONS FOR CUSTOMER'S USE

ENDPLAY .005[.13] MIN-.040[1.02] MAX
 MAXIMUM SHAFT RUN OUT .001[.03] PER INCH
 MAXIMUM RUN OUT NOT TO EXCEED .010[.25]



NOTE:
 1. DISTRIBUTION PART NUMBER: 9646
 GRAINGER PART NUMBER: 4KA49



SCHEMATIC-283

ROT:-CCWLE-CWSE

NAMEPLATE DATA:



TIPP CITY, OHIO
 THERMALLY PROTECTED



SER. DATE & PO# PLT LTR MOD DA3F172N"
 VOLTS 115 HZ 60 AMPS 4.2
 RPM 1050 SP PH 1 CAP
 INS CLB AMB40°C HP 1/8 CONT AO ←ROTATION→
 BRG SLV ASSEMBLED IN MEXICO

GEOMETRIC CHARACTERISTICS & SYMBOLS

- FLATNESS
- STRAIGHTNESS
- ∠ ANGULARITY
- ⊥ PERPENDICULARITY (SQUARENESS)
- ∥ PARALLELISM
- ROUNDNESS (CIRCULARITY)
- ⊘ CYLINDRICITY
- △ PROFILE OF ANY SURFACE
- ∩ PROFILE OF ANY LINE
- ↗ RUNOUT
- ⊕ TRUE POSITION
- ◎ CONCENTRICITY
- ≡ SYMMETRY

ASME Y14.5M 1994

UNLESS OTHERWISE SPECIFIED DIM. TOLERANCES ARE AS FOLLOWS:

INCH	±.1	±.02	±.005	±.0005
mm	±0.5	±0.13	±0.013	

ANG. ±.50 DEG
 REMOVE BURRS & BREAK SHARP EDGES:
 INCH .003-.015 mm 0.1-0.4
 CORNER FILLETS TO:
 INCH .020 mm 0.5
 MACHINE SURFACES:
 INCH 125 mm 3.2

METRIC DIMS. SHOWN IN [BRACKETS]

DR BY:	J.RUPERT	05-19-2004
APPD:		
THIRD ANGLE PROJECTION	EDS DATE 11-11-2011	FORMAT REV H
CONFIDENTIAL: THIS DRAWING AND ITS INFORMATION ARE THE EXCLUSIVE AND CONFIDENTIAL PROPERTY OF REGAL-BELOIT CORPORATION AND ARE NOT TO BE DISCLOSED, DUPLICATED, DISTRIBUTED OR OTHERWISE USED WITHOUT THE WRITTEN CONSENT OF REGAL-BELOIT CORPORATION. -ALL RIGHTS RESERVED.		

REGAL REGAL-BELOIT CORPORATION	
DESCRIPTION MODEL-RFHP-42FR OUTLINE	
SIZE C	DWG NO DA3F7172
SCALE NONE	SHEET 1

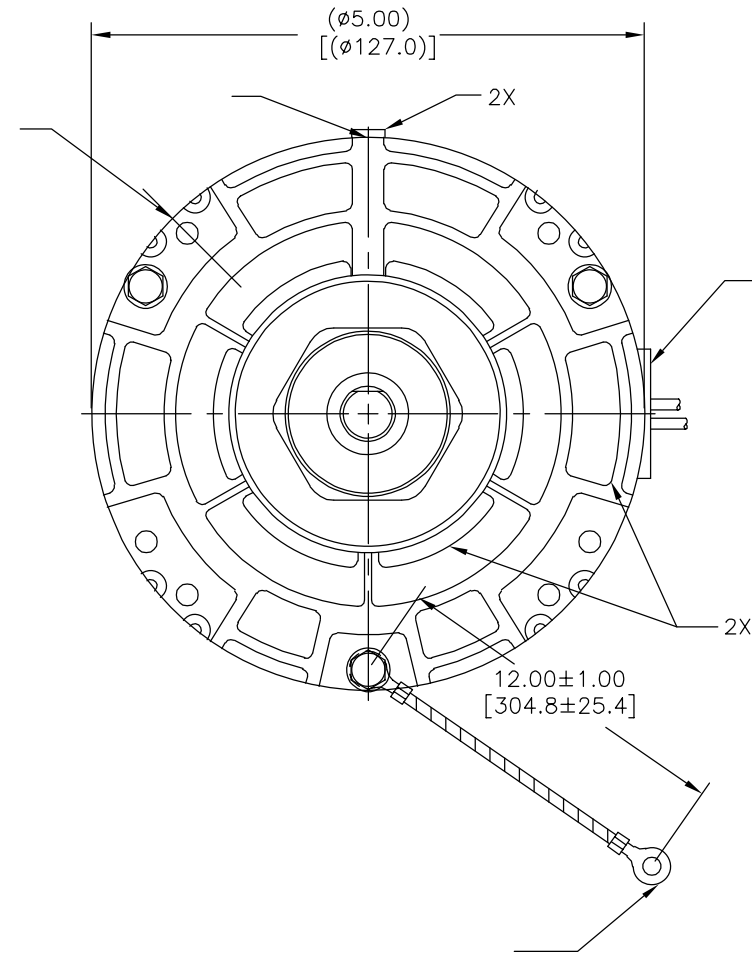
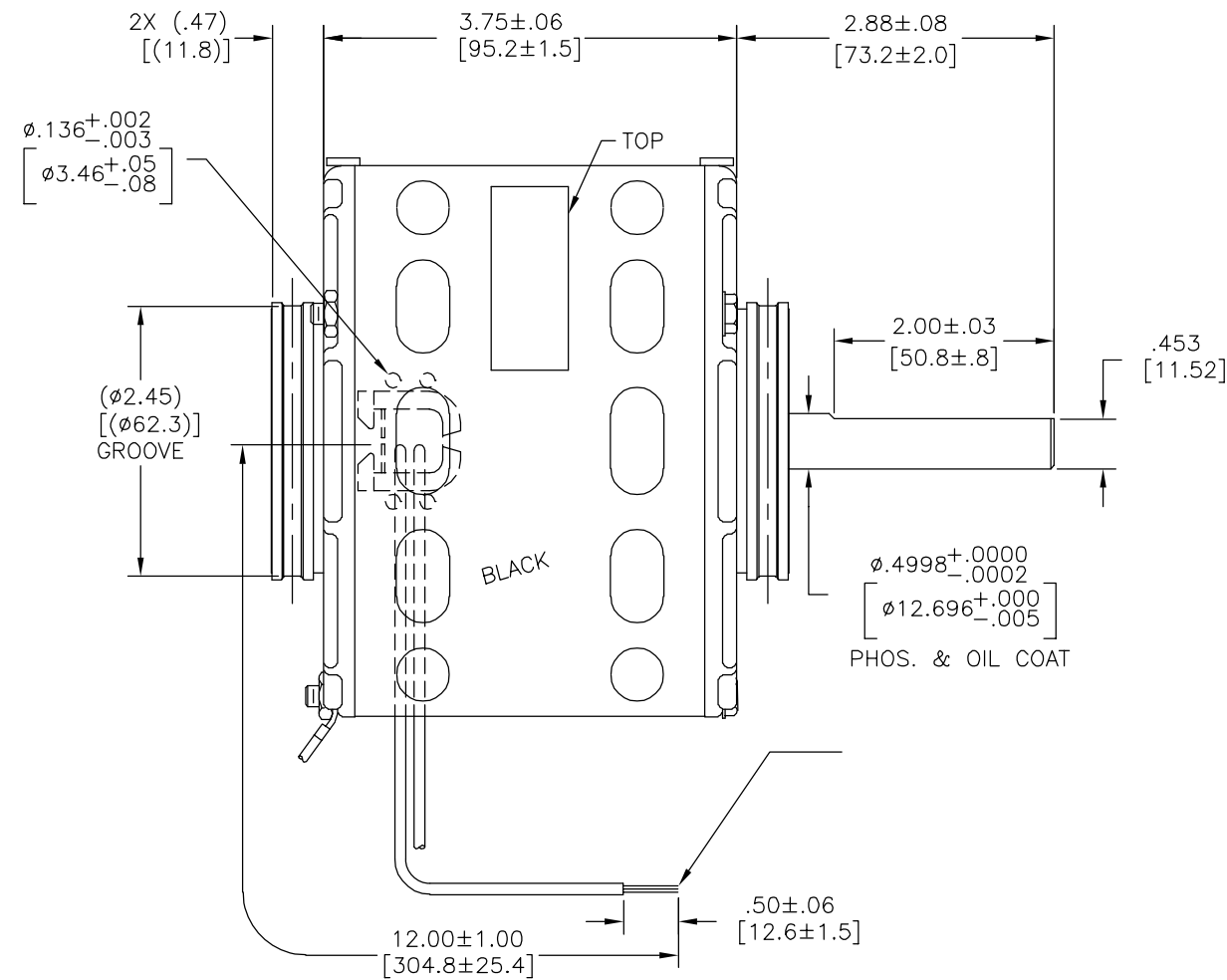
REVISION:	ECO	REVISADO POR:	FECHA:	APROBADO POR:	FECHA:
E	0029021	E.SINECIO	10-18-2012	G.ALVIDREZ	10-18-2012

4

3

2

1



D

D

C

C

B

B

A

A

SCHEMATIC-283

ROT:-CCWLE-CWSE

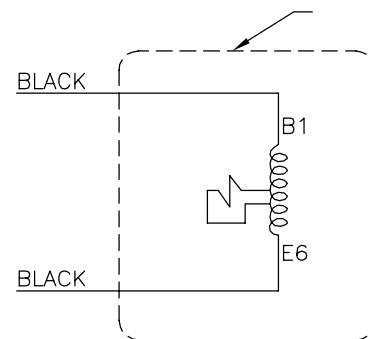
NAMEPLATE DATA:



TIPP CITY, OHIO
THERMALLY PROTECTED



SER. DATE & PO# PLT LTR MOD DA3F172N"
VOLTS 115 HZ 60 AMPS 4.2
RPM 1050 SP PH 1 CAP
INS CLB AMB40°C HP 1/8 CONT AO ← ROTATION →
BRG SLV ASSEMBLED IN MEXICO



CARACTERISTICAS DE GEOMETRIA Y SIMBOLOS

- PLANICIDAD
- RECTITUD
- < ANGULARIDAD
- ⊥ PERPENDICULARIDAD (A ESCUADRA)
- // PARALELISMO
- REDONDEZ (CIRCULARIDAD)
- ∅ CILINDRICIDAD
- △ PERFIL DE CUALQUIER SUPERFICIE
- ∩ PERFIL DE CUALQUIER LINEA
- ∠ VARIACION
- ⊕ POSICION REAL
- ◎ CONCENTRICIDAD
- = SIMETRIA

ASME Y14.5M 1994

A MENOS QUE SE ESPECIFIQUE DE OTRA MANERA, LAS TOLERANCIAS DE LAS DIMS; SON LAS SIGUIENTES:

PULG	±.1	±.02	±.005	±.0005
mm	±0.5	±0.13	±0.013	

ANG. ± 50 GRADOS
ELIMINAR REBABAS Y ORILLAS FILOSAS DEL BORDE.
PULG .003-.015 mm 0.1-0.4
FILETEAR ESQUINA: PULG .020 mm 0.5
MAQUINAR SUPERFICIES
PULG 125 mm 3.2

DIMS METRICAS MOSTRADAS [PARENTESIS]

DIBUJADO POR:	J.RUPERT	05-19-2004
APROBADO POR:		
TERCER ANGULO DE PROYECCION	⊕	FECHA EDS: 11-11-2011 REV. FORMATO: H
CONFIDENCIAL: ESTE DIBUJO Y SU INFORMACION SON PROPIEDAD DE USO EXCLUSIVO Y CONFIDENCIAL DE REGAL-BELOIT CORPORATION. Y NO DEBERAN SER REVELADOS, DUPLICADOS, DISTRIBUIDOS O USARSE DE OTRA MANERA SIN EL CONSENTIMIENTO ESCRITO DE REGAL-BELOIT CORPORATION. -TODOS LOS DERECHOS RESERVADOS.		

REGAL REGAL-BELOIT CORPORATION	
DESCRIPCION: MODEL-RFHP-42FR OUTLINE	
TAMAÑO: C	NUMERO DE DIBUJO: DA3F7172
ESCALA: NONE	HOJA: 1

4

3

2

1

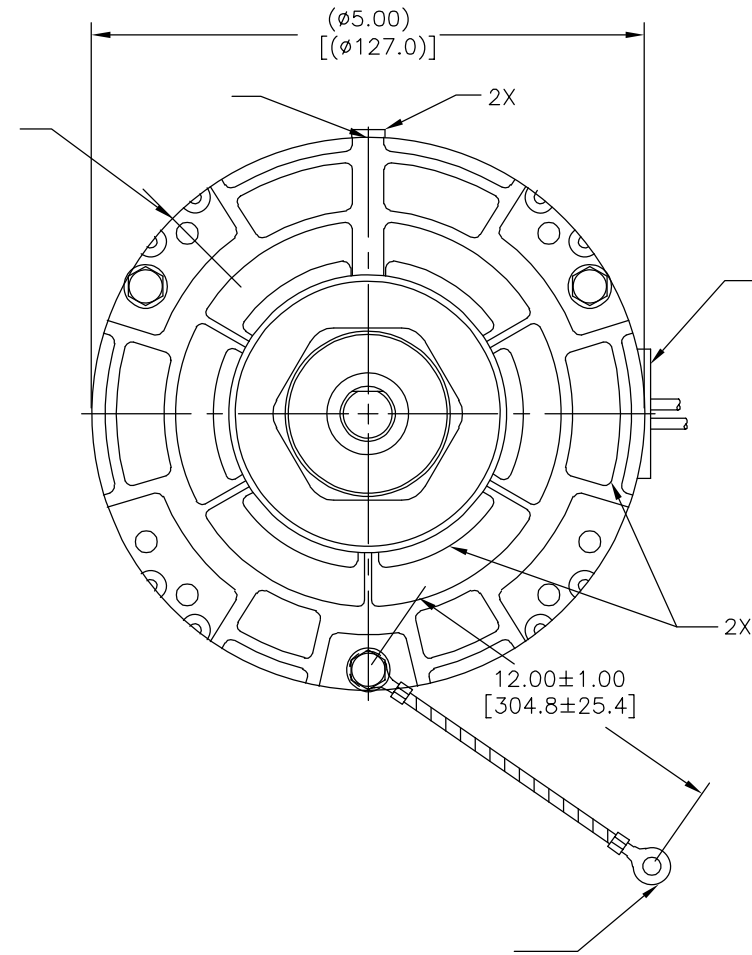
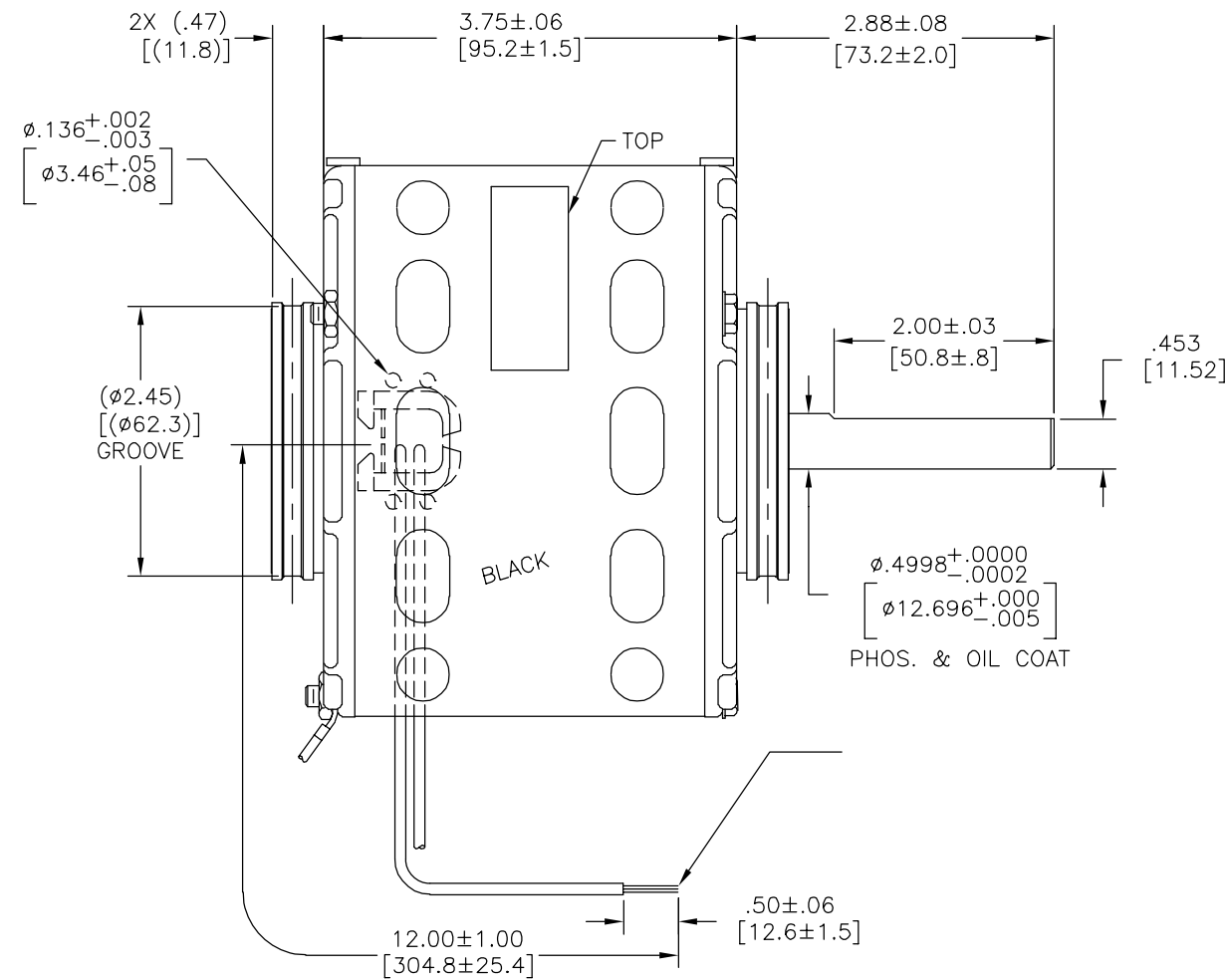
版本	ECO	编制	日期	批准	日期
E	0029021	E.SINECIO	10-18-2012	G.ALVIDREZ	10-18-2012

4

3

2

1



D

D

C

C

B

B

A

A

SCHEMATIC-283

ROT:-CCWLE-CWSE

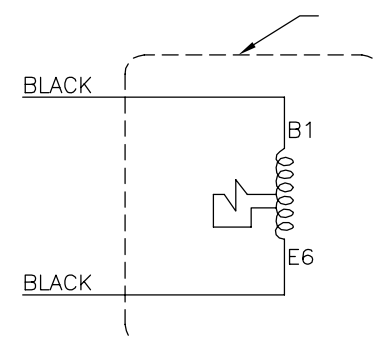
NAMEPLATE DATA:



TIPP CITY, OHIO
THERMALLY PROTECTED



SER. DATE & PO# PLT LTR MOD DA3F172N"
VOLTS 115 HZ 60 AMPS 4.2
RPM 1050 SP PH 1 CAP
INS CLB AMB40°C HP 1/8 CONT AO ← ROTATION →
BRG SLV ASSEMBLED IN MEXICO



- 形位公差
- 平面度
- 直线度
- ∠ 倾斜度
- ⊥ 垂直度
- // 平行度
- 圆度
- ⊘ 圆柱度
- ∩ 面轮廓度
- ∟ 线轮廓度
- ↻ 圆跳动
- ⊕ 位置度
- ⊙ 同轴度
- ≡ 对称度

ASME Y14.5M 1994

除另有注明
尺寸公差如下:
英寸 X XX XXX XXXX
±.1 ±.02 ±.005 ±.0005
毫米 ±0.5 ±0.13 ±0.013
角度 ±.50 度
清理毛刺和尖棱
英寸 .003-.015 毫米 0.1-0.4
内圆角
英寸 .020 毫米 0.5
表面粗糙度
英制 125 米制 3.2
米制尺寸显示在L

绘图:

J.RUPERT

05-19-2004

批准:

第三角投影



图纸格式发布日期 11-11-2011
图纸格式版本 H

机密: 本图纸及相关信息所有权归REGAL-BELOIT CORPORATION
未经REGAL-BELOIT CORPORATION书面授权, 不得泄露、
复制、传播或作其他用途。—版权所有



REGAL-BELOIT CORPORATION

名称

MODEL-RFHP-42FR
OUTLINE

图幅

C

图号

DA3F7172

比例

NONE

页号

1

4

3

2

1