

# PRODUCT INFORMATION PACKET



Model No: 9673  
Catalog No: 9673

Fan Coil & Air Conditioner Motor, 1/35 HP, 1 Ph, 60 Hz, 115 V, 1050 RPM, 4 Speed, 42 Frame, OAO



Regal and Century are trademarks of Regal Rexnord Corporation or one of its affiliated companies.  
©2022 Regal Rexnord Corporation, All Rights Reserved. MC017097E





**Nameplate Specifications**

Output HP	1/35 Hp	Output KW	0.02 kW
Frequency	60 Hz	Voltage	115 V
Current	2.0 A	Speed	1050 rpm
Service Factor	1	Phase	1
Duty	Air Over	Insulation Class	B
Frame	42Y	Enclosure	Open Air Over
Thermal Protection	Automatic	Ambient Temperature	40 °C
UL	Recognized	CSA	Y
CE	N	Number of Speeds	4

**Technical Specifications**

Electrical Type	Shaded Pole	Starting Method	Across The Line
Poles	6	Rotation	Counterclockwise Lead End
Mounting	Resilient Rings	Motor Orientation	Horizontal
Drive End Bearing	Sleeve	Opp Drive End Bearing	Sleeve
Frame Material	Rolled Steel	Shaft Type	Flat
Overall Length	20.75 in	Frame Length	3.17 in
Shaft Diameter	0.500 in	Shaft Extension	8.5X.5X8.5 in
Outline Drawing	9673-S01		

This is an uncontrolled document once printed or downloaded and is subject to change without notice. Date Created:11/29/2022

4

3

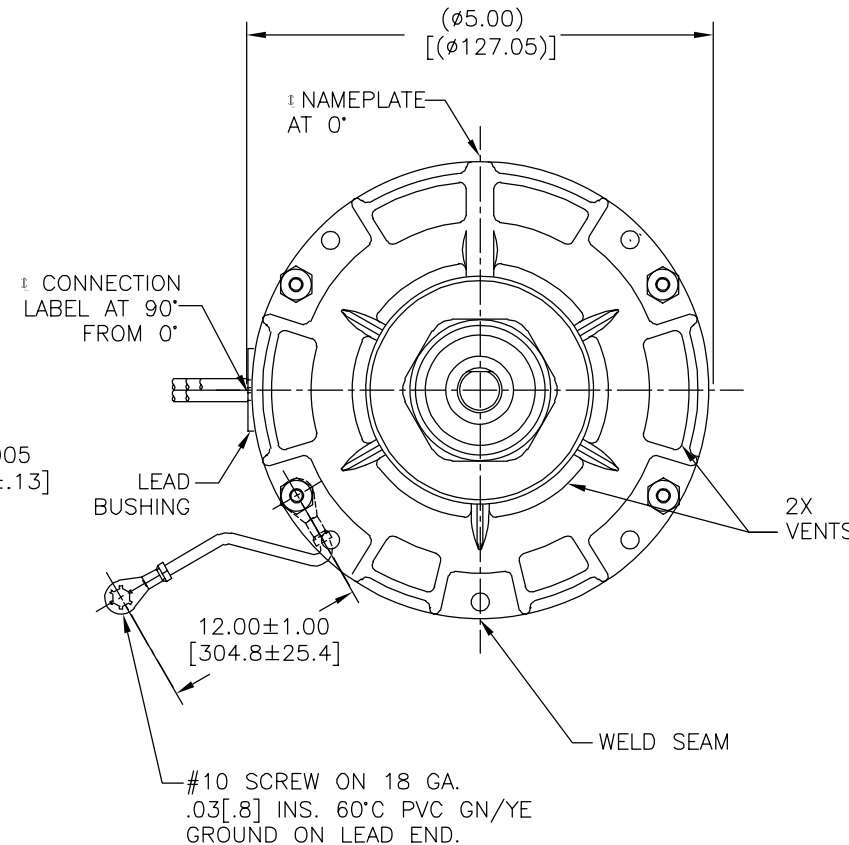
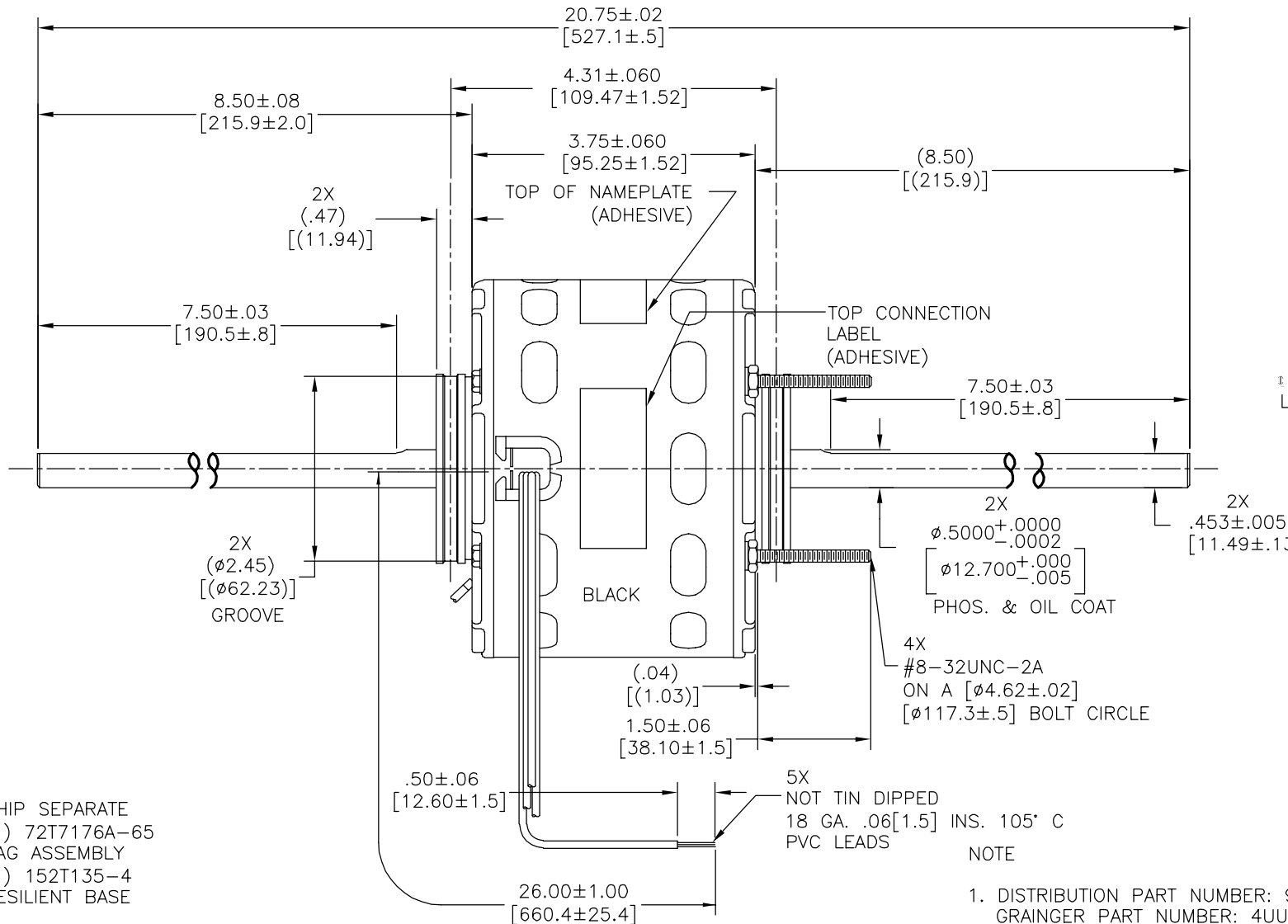
2

1

CUSTOMER IS SOLELY RESPONSIBLE FOR MOTOR PERFORMANCE AND SUITABILITY IN APPLICATIONS FOR CUSTOMER'S USES.

REV	ECO	REV BY	DATE	APPD	DATE
F	0029021	E.SINECIO	10-18-2012	G.ALVIDREZ	10-18-2012

END PLAY .005[.13] MIN - .040[1.02] MAX  
 MAX. SHAFT RUN OUT .001[.02] PER INCH  
 MAX. RUN OUT NOT TO EXCEED .010[.25]



SHIP SEPARATE  
 (1) 72T7176A-65  
 BAG ASSEMBLY  
 (1) 152T135-4  
 RESILIENT BASE

1. DISTRIBUTION PART NUMBER: 9673  
 GRAINGER PART NUMBER: 4UU46

ELECTRICALLY PER  
 SAMPLE 0442632C  
 CURVE C32374

SCHEMATIC-281

ROT.: - CCWLE

NAMEPLATE DATA:

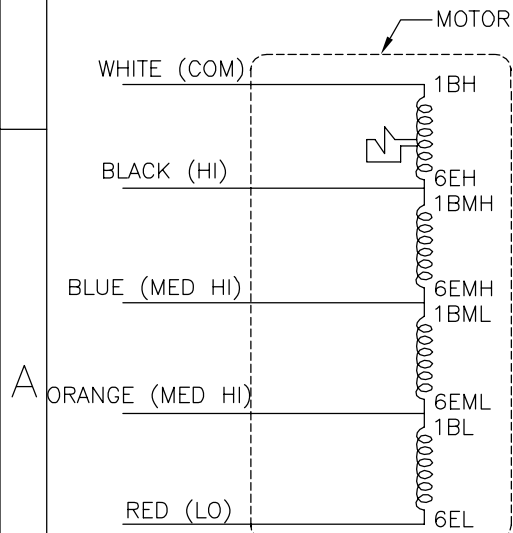


Tipp City, OH  
 THERMALLY PROTECTED



SER. DATE & P0# PLT LTR MOD DA3D222N"  
 VOLTS 115 HZ 60 AMPS 2.0  
 RPM 1050 SP 4 PH 1 CAP  
 INS CL B AMB40°C HP 1/35 CONT. A.O. ← ROTATION →  
 BRG SLV ASSEMBLED IN MEXICO

CONN. LABEL  
 2514721-001



GEOMETRIC CHARACTERISTICS & SYMBOLS  
 ▮ FLATNESS  
 - STRAIGHTNESS  
 < ANGLARITY  
 ⊥ PERPENDICULARITY (SQUARENESS)  
 // PARALLELISM  
 ○ ROUNDNESS (CIRCULARITY)  
 ⌀ CYLINDRICITY  
 △ PROFILE OF ANY SURFACE  
 ▽ PROFILE OF ANY LINE  
 ↗ RUNOUT  
 ⊕ TRUE POSITION  
 ⊙ CONCENTRICITY  
 = SYMMETRY  
 ASME Y14.5M 1994

REGAL-BELOIT CORPORATION (RBC) PROVIDES TECHNICAL ASSISTANCE TO OUR CUSTOMERS IN SEVERAL AREAS. SINCE RBC DOES NOT RECEIVE ALL DATA CONCERNING THE USE AND APPLICATION OF THE MOTOR, THE SUITABILITY OF THE MOTOR FOR THE APPLICATION MUST BE DETERMINED BY THE CUSTOMER.

DIMENSIONS WITHOUT TOLERANCES ARE FOR REFERENCE ONLY.

DR BY: J.RUPERT 09-29-2004  
 APPD: G.PIATT 09-29-2004  
 THIRD ANGLE PROJECTION  
 EDS DATE 11-11-2011  
 FORMAT REV H  
 CONFIDENTIAL: THIS DRAWING AND ITS INFORMATION ARE THE EXCLUSIVE AND CONFIDENTIAL PROPERTY OF REGAL-BELOIT CORPORATION AND ARE NOT TO BE DISCLOSED, DUPLICATED, DISTRIBUTED OR OTHERWISE USED WITHOUT THE WRITTEN CONSENT OF REGAL-BELOIT CORPORATION. -ALL RIGHTS RESERVED.



DESCRIPTION  
 MODEL-RFHP-42FR  
 OUTLINE  
 SIZE C DWG NO 9673  
 SCALE NONE SHEET 1

4

3

2

1

4

3

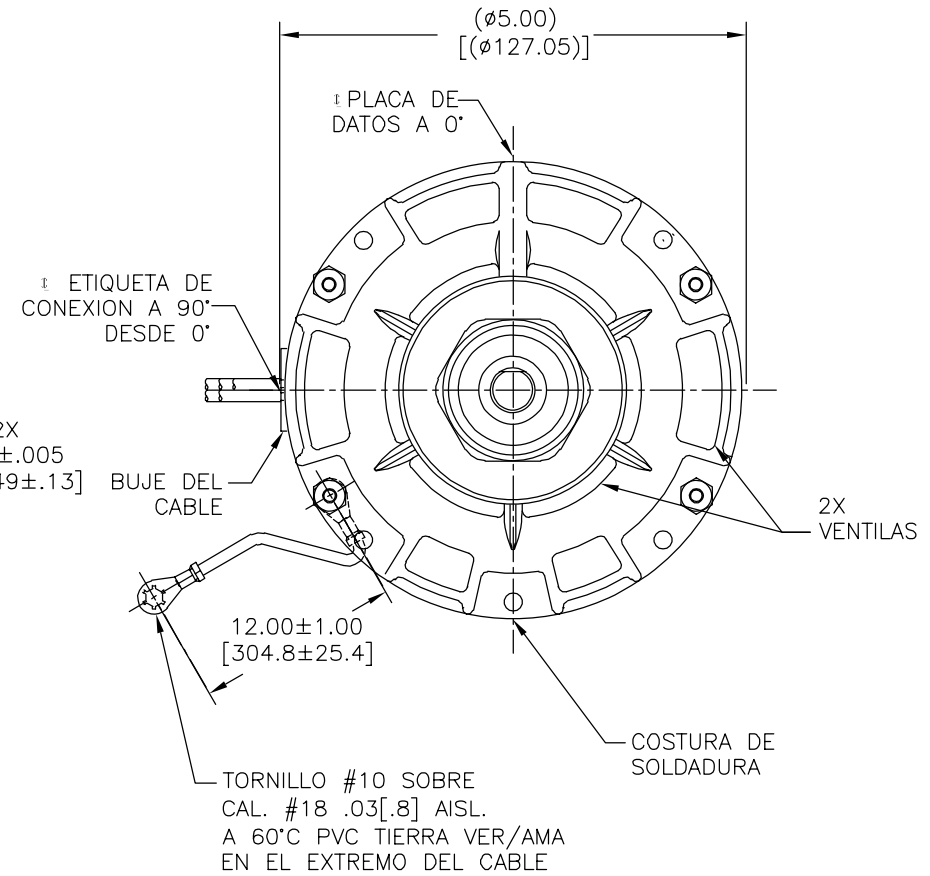
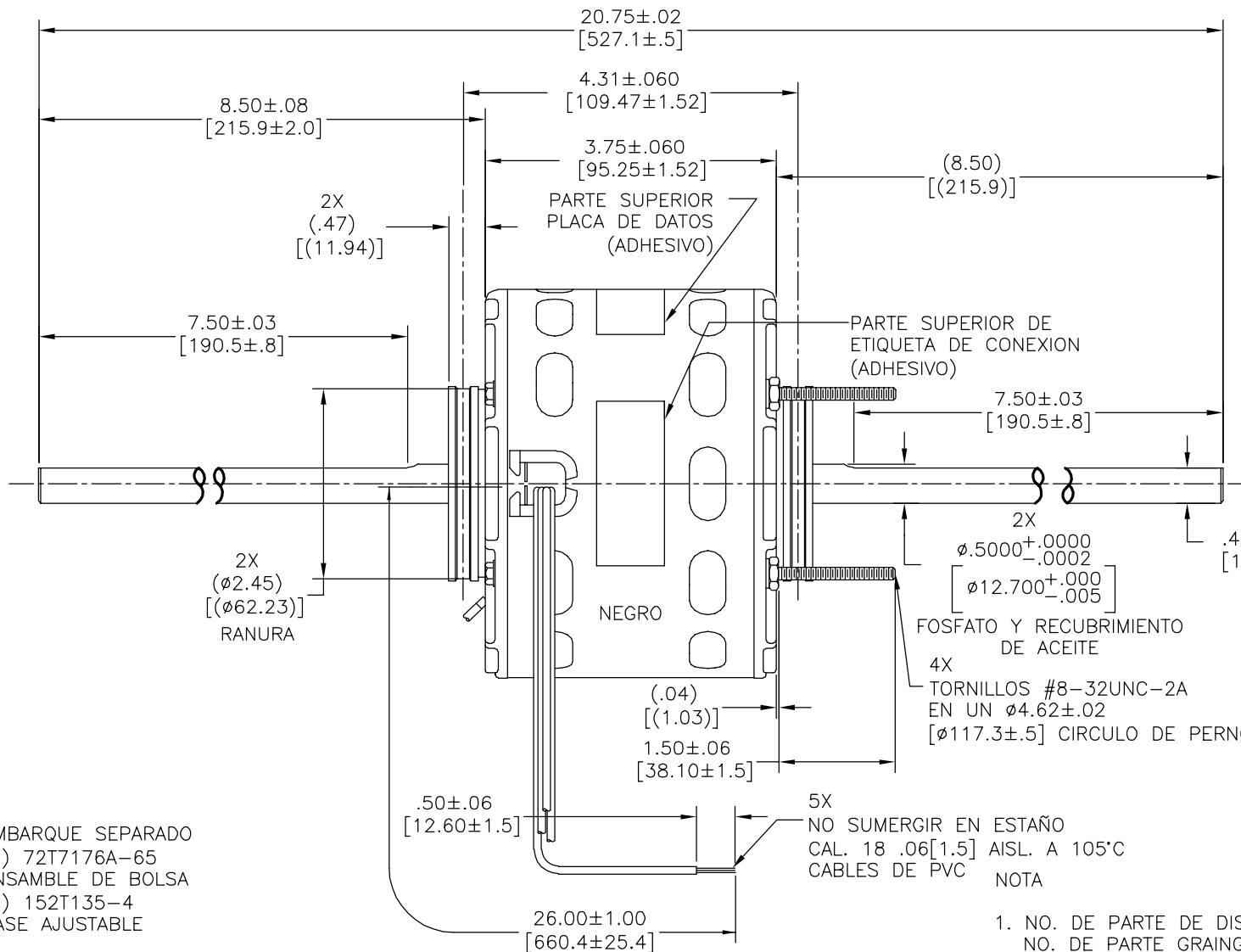
2

1

EL CLIENTE ES SOLO RESPONSABLE DEL RENDIMIENTO DEL MOTOR Y APLICACIONES CONVENIENTES PARA LOS USOS DEL CLIENTE.

REVISION:	ECO	REVISADO POR:	FECHA:	APROBADO POR:	FECHA:
F	0029021	E.SINECIO	10-18-2012	G.ALVIDREZ	10-18-2012

JUEGO AXIAL .005[.13] MIN - .040[1.02] MAX  
 MAX. OSCILAMIENTO DE FLECHA .001[.02] POR PULGADA  
 MAX. OSCILAMIENTO NO EXCEDERA DE .010[.25]



EMBARQUE SEPARADO  
 (1) 72T7176A-65 ENSAMBLE DE BOLSA  
 (1) 152T135-4 BASE AJUSTABLE

1. NO. DE PARTE DE DISTRIBUCION: 9673  
 NO. DE PARTE GRAINGER: 4UU46

ELECTRICAMENTE DE ACUERDO A MUESTRA 0442632C CURVA DE FUNCIONAMIENTO C32374

ESQUEMA-281

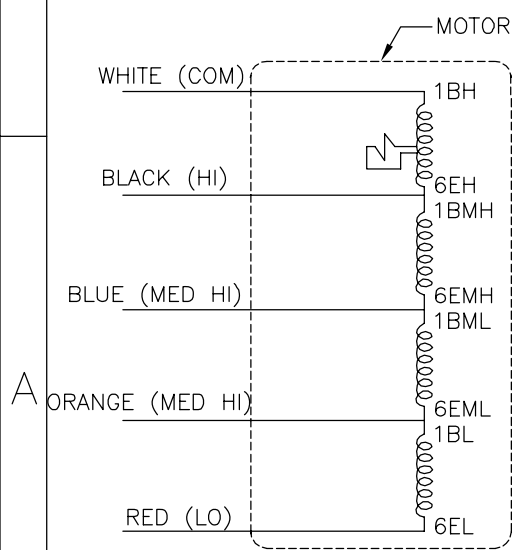
ROT.: - CCWLE

PLACA DE DATOS:



SER. DATE & P0# PLT LTR MOD DA3D222N"  
 VOLTS 115 HZ 60 AMPS 2.0  
 RPM 1050 SP 4 PH 1 CAP  
 INS CL B AMB40°C HP 1/35 CONT. A.O. ← ROTATION →  
 BRG SLV ASSEMBLED IN MEXICO

ETIQUETA DE CONEXION  
 2514721-001



CARACTERISTICAS DE GEOMETRIA Y SIMBOLOS  
 ▽ PLANICIDAD  
 - RECTITUD  
 < ANGULARIDAD  
 ⊥ PERPENDICULARIDAD (A ESCUADRA)  
 // PARALELISMO  
 ○ REDONDEZ (CIRCULARIDAD)  
 ∅ CILINDRICIDAD  
 △ PERFIL DE CUALQUIER SUPERFICIE  
 ∩ PERFIL DE CUALQUIER LINEA  
 ∠ VARIACION  
 ⊕ POSICION REAL  
 ⊙ CONCENTRICIDAD  
 = SIMETRIA  
 ASME Y14.5M 1994

REGAL-BELOIT CORPORATION (RBC) PROVEE ASISTENCIA TECNICA A NUESTROS CLIENTES EN VARIAS AREAS. DESDE QUE RBC NO RECIBE TODOS LOS DATOS EN RELACION AL USO Y A LA APLICACION DEL MOTOR, LA APLICACION ADECUADA DEL MOTOR DEBE SER DETERMINADA POR EL CLIENTE.

DIMENSIONES SIN TOLERANCIA SON DE REFERENCIA SOLAMENTE

DIBUJADO POR: J.RUPERT 09-29-2004  
 APROBADO POR: G.PIATT 09-29-2004  
 TERCER ANGULO DE PROYECCION  
 CONFIDENCIAL: ESTE DIBUJO Y SU INFORMACION SON PROPIEDAD DE USO EXCLUSIVO Y CONFIDENCIAL DE REGAL-BELOIT CORPORATION. Y NO DEBERAN SER REVELADOS, DUPLICADOS, DISTRIBUIDOS O USARSE DE OTRA MANERA SIN EL CONSENTIMIENTO ESCRITO DE REGAL-BELOIT CORPORATION. -TODOS LOS DERECHOS RESERVADOS.

REGAL REGAL-BELOIT CORPORATION  
 DESCRIPCION: MODEL-RFHP-42FR OUTLINE  
 TAMAÑO: C NUMERO DE DIBUJO: 9673  
 ESCALA: NONE HOJA: 1

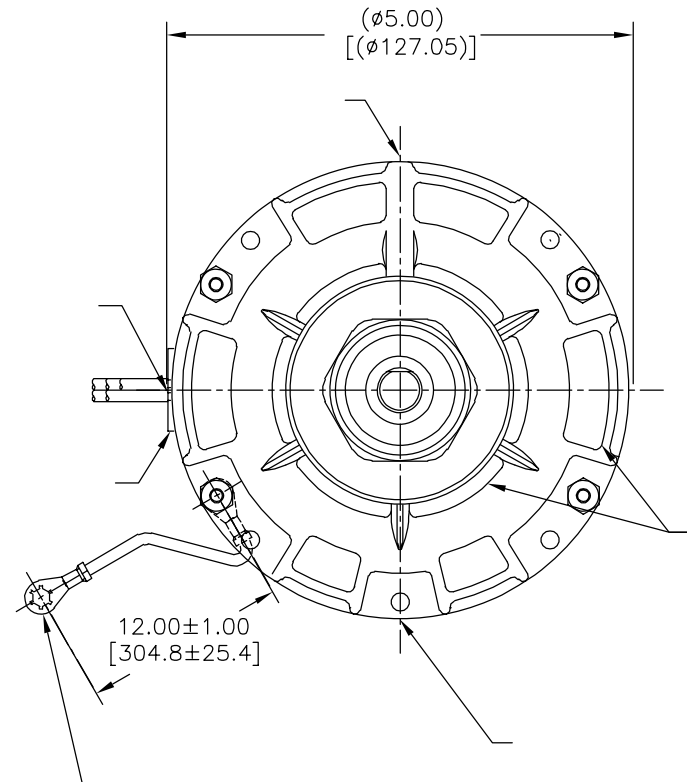
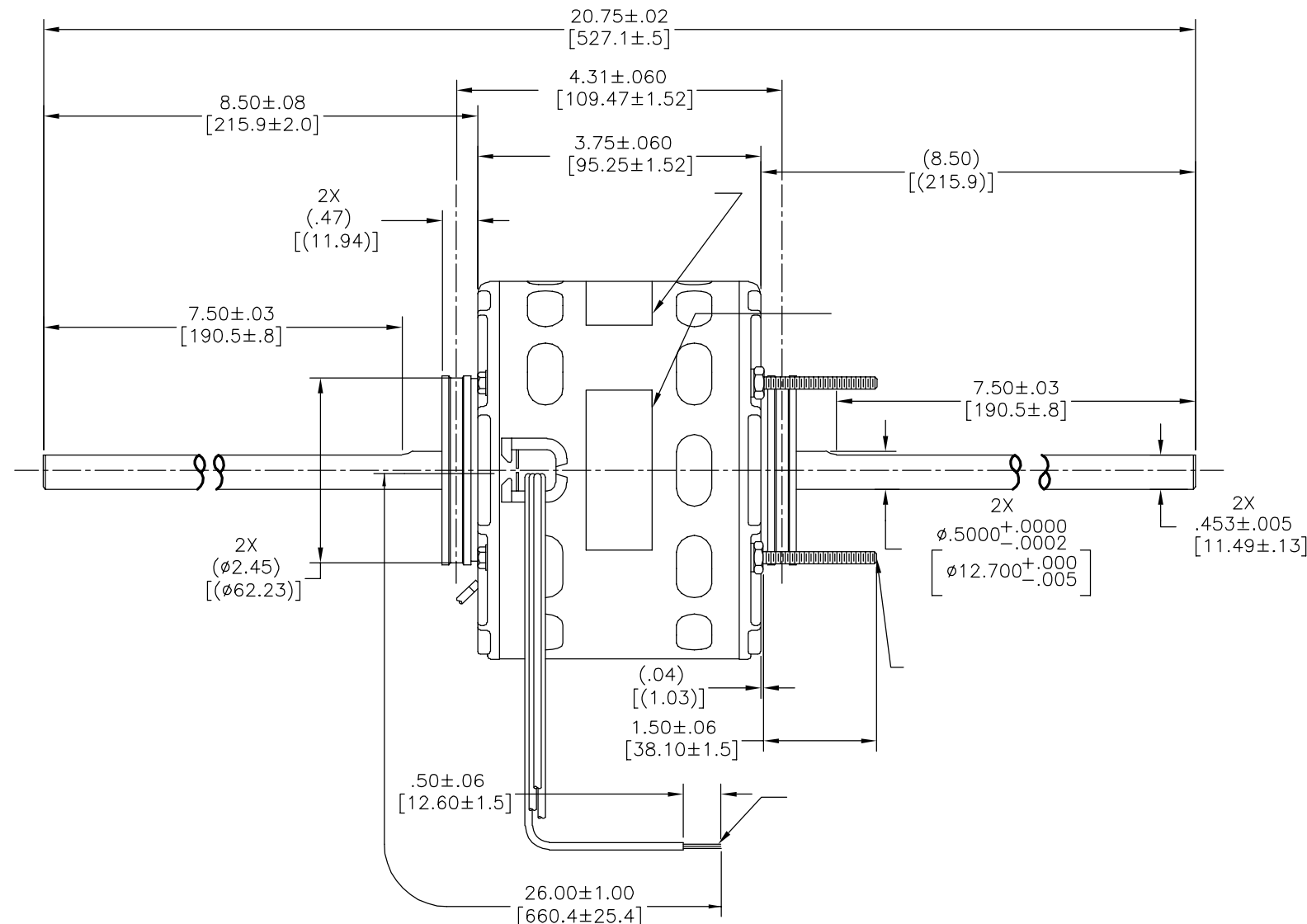
4

3

2

1

版本	ECO	编制	日期	批准	日期
F	0029021	E.SINECIO	10-18-2012	G.ALVIDREZ	10-18-2012



ROT.:— CCWLE

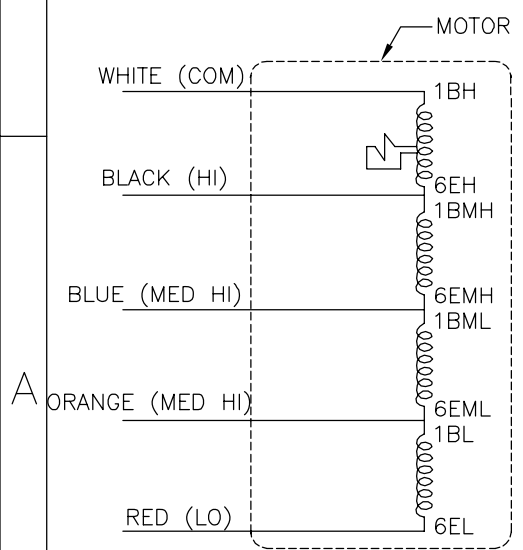


Tipp City, OH  
THERMALLY PROTECTED



SER. DATE & P0# PLT LTR MOD DA3D222N"  
VOLTS 115 HZ 60 AMPS 2.0  
RPM 1050 SP 4 PH 1 CAP  
INS CL B AMB40°C HP 1/35 CONT. A.O. ←ROTATION→  
BRG SLV ASSEMBLED IN MEXICO

2514721-001



- 形位公差
- 平面度
- 直线度
- ∠ 倾斜度
- ⊥ 垂直度
- // 平行度
- 圆度
- ⊙ 圆柱度
- ⌒ 面轮廓度
- ⌒ 线轮廓度
- ↻ 圆跳动
- ⊕ 位置度
- ⊗ 同轴度
- ≡ 对称度

ASME Y14.5M 1994

REGAL-BELOIT CORPORATION (RBC) 在个别领域为客户提供技术支持。鉴于RBC未收到任何涉及电机使用和应用环境的数据，电机的适用性由客户自己决定。

未注公差尺寸仅供参考。

绘图:	J.RUPERT	09-29-2004
批准:	G.PIATT	09-29-2004
第三角投影		图纸格式发布日期 11-11-2011 图纸格式版本 H
机密: 本图纸及相关信息所有权归REGAL-BELOIT CORPORATION。未经REGAL-BELOIT CORPORATION书面授权, 不得泄露、复制或传播作其他用途。—版权所有		



名称	MODEL-RFHP-42FR OUTLINE	
图幅	C	图号 9673
比例	NONE	页号 1