

# PRODUCT INFORMATION PACKET



Model No: 9674

Catalog No: 9674

Fan Coil & Air Conditioner Motor, 1/15-1/20-1/30-1/50 HP, 1 Ph, 60/50 Hz, 115 V, 1050 RPM, 4 Speed,  
42 Frame, OPEN



Regal and Century are trademarks of Regal Rexnord Corporation or one of its affiliated companies.  
©2022 Regal Rexnord Corporation, All Rights Reserved. MC017097E





**Nameplate Specifications**

Output HP	1/15-1/20-1/30-1/50 Hp	Output KW	0.05 kW
Frequency	50 Hz	Voltage	115 V
Current	2.4,1.6,1.1,.80 A	Speed	1050 rpm
Service Factor	1	Phase	1
Duty	Continuous Air Over	Insulation Class	A
Frame	42Y	Enclosure	Open Enclosed
Thermal Protection	Automatic	Ambient Temperature	40 °C
UL	Recognized	CSA	Y
CE	N	Number of Speeds	4

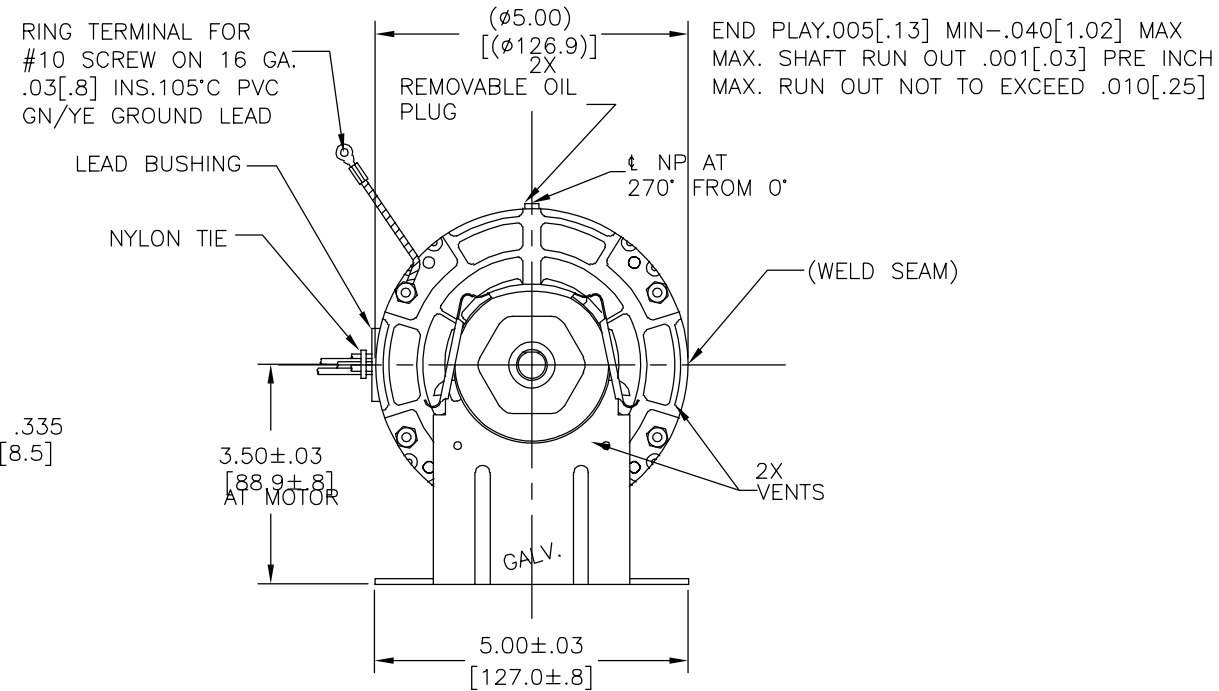
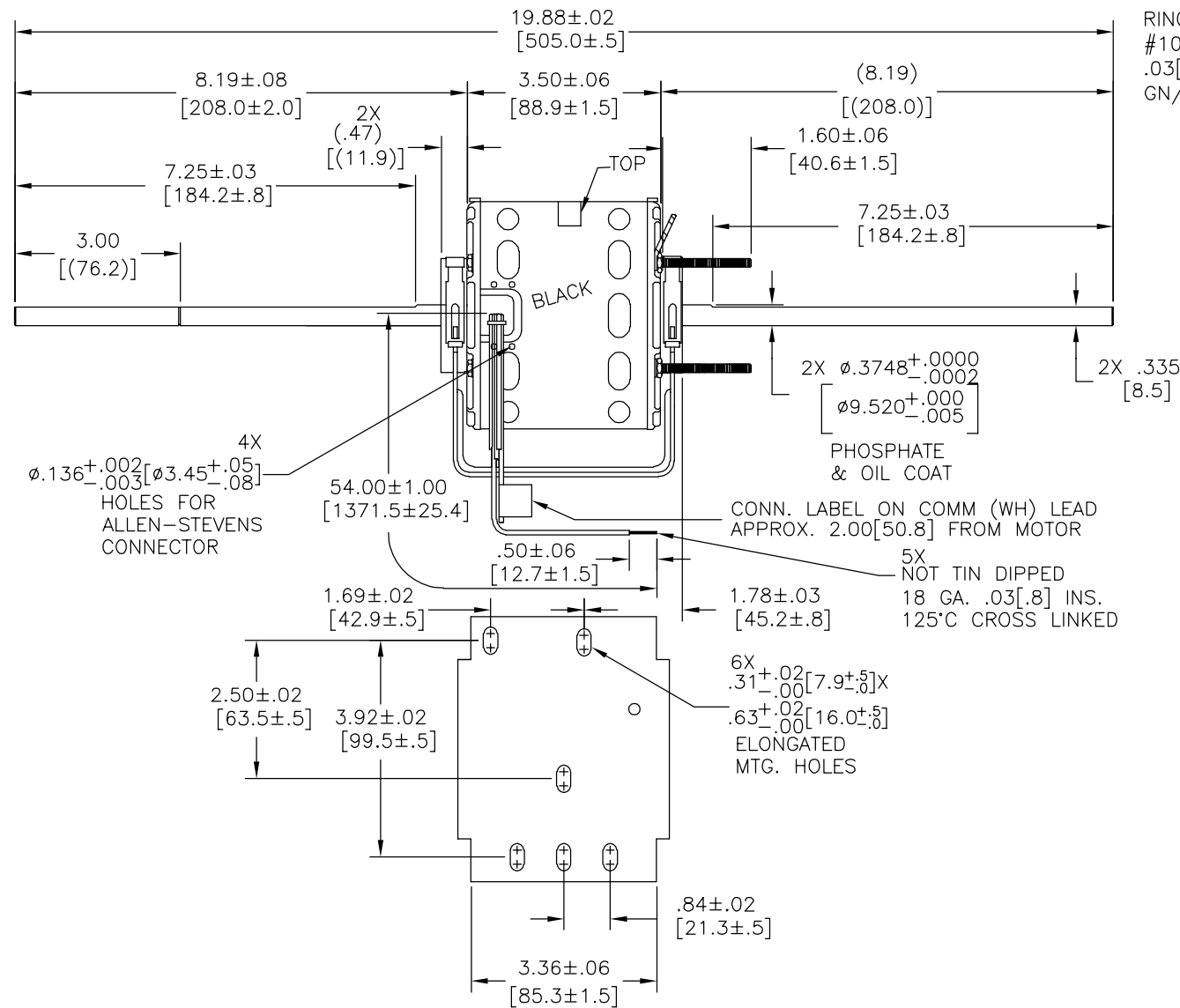
**Technical Specifications**

Electrical Type	Shaded Pole	Starting Method	Across The Line
Poles	6	Rotation	Clockwise Lead End
Mounting	Resilient Base	Motor Orientation	Horizontal
Drive End Bearing	Sleeve	Opp Drive End Bearing	Sleeve
Frame Material	Rolled Steel	Shaft Type	Flat
Overall Length	19.88 in	Frame Length	2.92 in
Shaft Diameter	0.375 in	Shaft Extension	8.3X.375X8.3 in
Outline Drawing	DA3E7293-S01		

This is an uncontrolled document once printed or downloaded and is subject to change without notice. Date Created:11/29/2022

REV	ECO	REV BY	DATE	APPD	DATE
J	0029021	E.SINECIO	10-18-2012	G.ALVIDREZ	10-18-2012

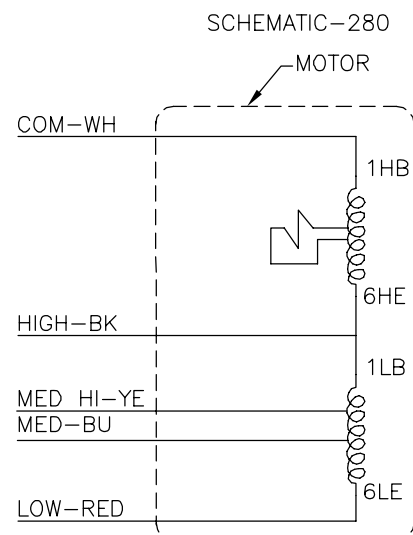
CUSTOMER IS SOLELY RESPONSIBLE FOR MOTOR PERFORMANCE AND SUITABILITY IN APPLICATIONS FOR CUSTOMER'S USES.



NOTE:  
1. DISTRIBUTION PART NUMBER: 9674  
GRAINGER PART NUMBER: 4UU47

ELECTRICALLY PER  
SAMPLE S-3798C  
CURVE #32343

SEE NOTE 1



ROT.: CWLE

NAMEPLATE DATA:



TIPP CITY, OHIO  
THERMALLY PROTECTED

SER. DATE & P0# PLT LTR MOD DA3E293K# [ ] [ ] [ ] [ ]  
VOLTS 115 HZ 50/60 AMPS 2.4  
RPM1050 SP PH CAP  
INS CL A AMB 40C HP CONT AO }-ROTATION-  
BRG SLV BK-HI 2.4A 1/15HP YE-MED HI 1.6A 1/20HP  
BU-MED 1.1A 1/30HP ASSEMBLED IN MEXICO  
RD-LOW .80A 1/50HP WH-COM

CONN. LABEL  
63T7433-256

GEOMETRIC CHARACTERISTICS & SYMBOLS

- FLATNESS
- STRAIGHTNESS
- ∠ ANGULARITY
- ⊥ PERPENDICULARITY (SQUARENESS)
- // PARALLELISM
- ROUNDNESS (CIRCULARITY)
- ⊘ CYLINDRICITY
- △ PROFILE OF ANY SURFACE
- ∩ PROFILE OF ANY LINE
- ↗ RUNOUT
- ⊕ TRUE POSITION
- ◎ CONCENTRICITY
- = SYMMETRY

ASME Y14.5M 1994

UNLESS OTHERWISE SPECIFIED DIM. TOLERANCES ARE AS FOLLOWS:

- INCH X XX XXX XXXX
- mm ±0.5 ±0.13 ±0.013
- ANG. ±.50 DEG
- REMOVE BURRS & BREAK SHARP EDGES:
- INCH .003-.015 mm 0.1-0.4
- CORNER FILLETS TO:
- INCH .020 mm 0.5
- MACHINE SURFACES:
- INCH 125 mm 3.2

METRIC DIMS. SHOWN IN [BRACKETS]

DR BY:

K.GORDO

09-08-2004

APPD:

THIRD ANGLE PROJECTION



EDS DATE 11-11-2011

FORMAT REV H

CONFIDENTIAL: THIS DRAWING AND ITS INFORMATION ARE THE EXCLUSIVE AND CONFIDENTIAL PROPERTY OF REGAL-BELOIT CORPORATION AND ARE NOT TO BE DISCLOSED, DUPLICATED, DISTRIBUTED OR OTHERWISE USED WITHOUT THE WRITTEN CONSENT OF REGAL-BELOIT CORPORATION. -ALL RIGHTS RESERVED.



REGAL-BELOIT CORPORATION

DESCRIPTION

MODEL-RFHP-42FR  
OUTLINE

SIZE

C

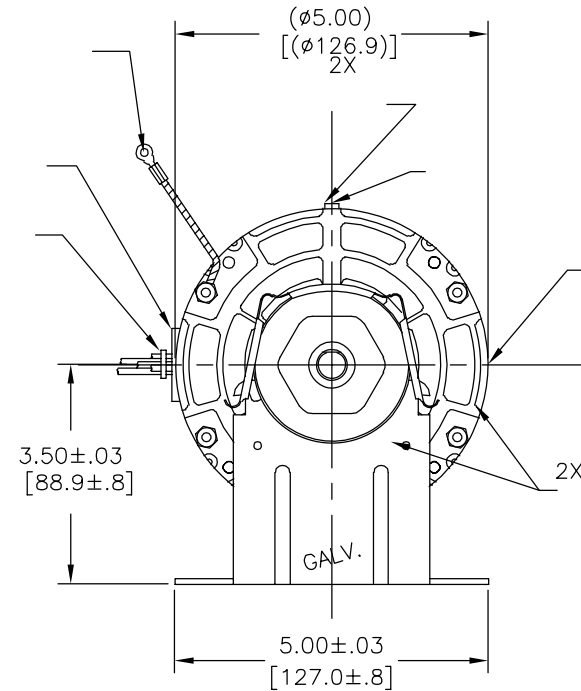
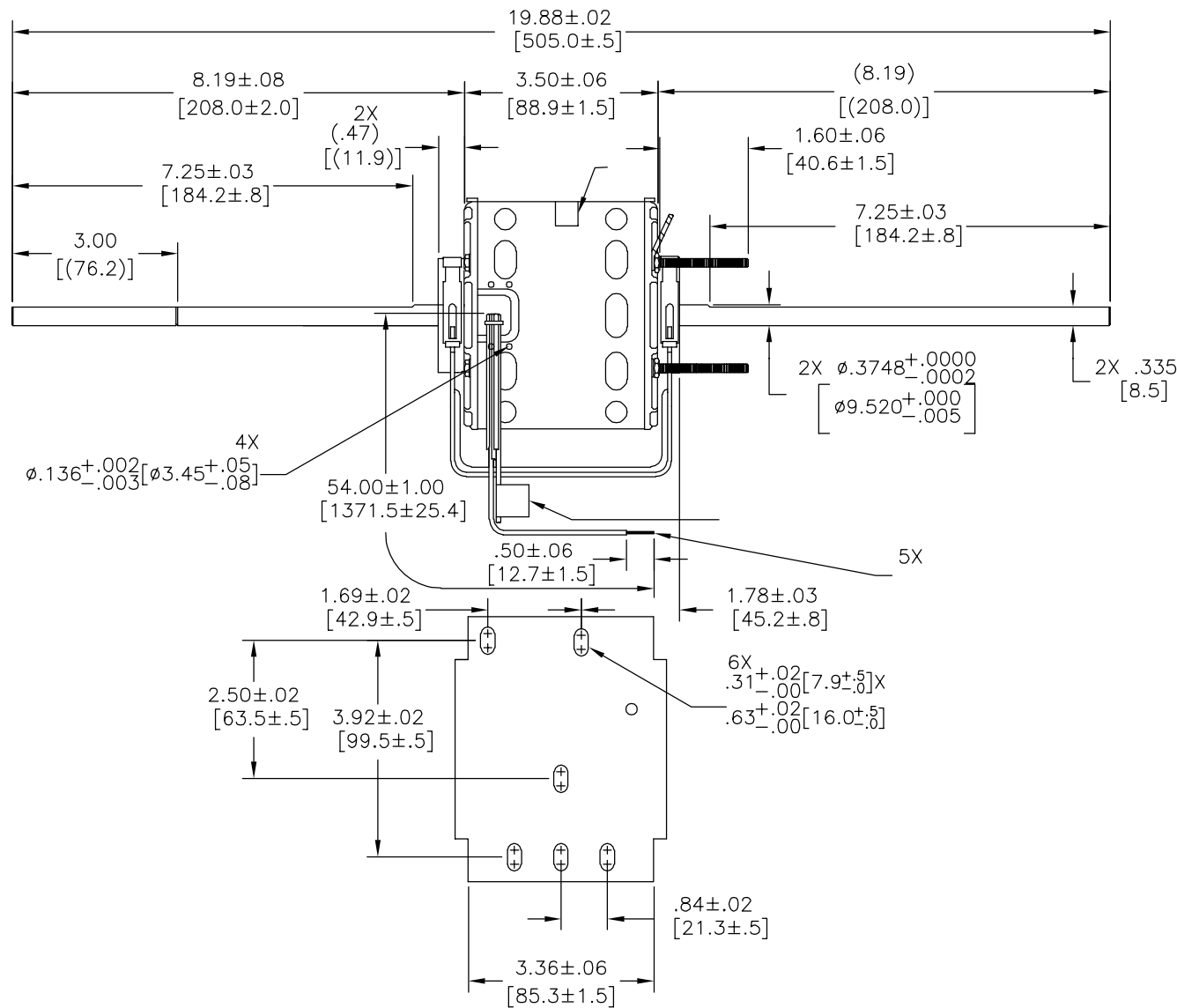
DWG NO

DA3E7293

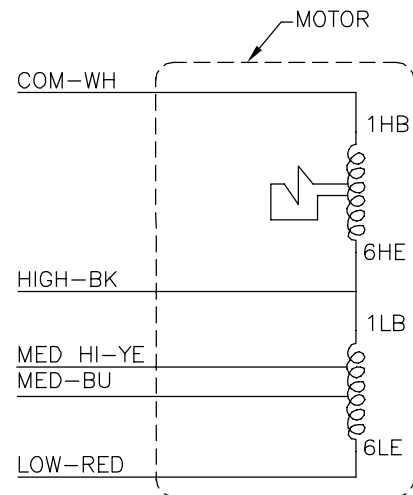
SCALE NONE

SHEET 1

REVISION:	ECO	REVISADO POR:	FECHA:	APROBADO POR:	FECHA:
J	0029021	E.SINECIO	10-18-2012	G.ALVIDREZ	10-18-2012



SCHEMATIC-280



TIPP CITY, OHIO  
THERMALLY PROTECTED

SER. DATE & P0# PLT LTR MOD DA3E293K# [ ]  
VOLTS 115 HZ 50/60 AMPS 2.4  
RPM1050 SP PH CAP  
INS CL A AMB 40C HP CONT AO }-ROTATION-  
BRG SLV BK-HI 2.4A 1/15HP YE-MED HI 1.6A 1/20HP  
BU-MED 1.1A 1/30HP ASSEMBLED IN MEXICO  
RD-LOW .80A 1/50HP WH-COM

63T7433-256

SEE NOTE 1

CARACTERISTICAS DE GEOMETRIA Y SIMBOLOS

- PLANICIDAD
- RECTITUD
- ∠ ANGULARIDAD
- ⊥ PERPENDICULARIDAD (A ESCUADRA)
- // PARALELISMO
- REDONDEZ (CIRCULARIDAD)
- ∅ CILINDRICIDAD
- △ PERFIL DE CUALQUIER SUPERFICIE
- ∇ PERFIL DE CUALQUIER LINEA
- ∧ VARIACION
- ⊕ POSICION REAL
- ◎ CONCENTRICIDAD
- = SIMETRIA

A MENOS QUE SE ESPECIFIQUE DE OTRA MANERA, LAS TOLERANCIAS DE LAS DIMS; SON LAS SIGUIENTES:  
PULG ±.1 ±.02 ±.005 ±.0005  
mm ±0.5 ±0.13 ±0.013  
ANG. ± 50 GRADOS  
ELIMINAR REBABAS Y ORILLAS FILOSAS DEL BORDE.  
PULG .003-.015 mm 0.1-0.4  
FILETEAR ESQUINA: PULG .020 mm 0.5  
MAQUINAR SUPERFICIES  
PULG 125 mm 3.2

DIBUJADO POR: K.GORDO  
APROBADO POR:  
TERCER ANGULO DE PROYECCION  
FECHA EDS: 11-11-2011  
REV. FORMATO: H  
CONFIDENCIAL: ESTE DIBUJO Y SU INFORMACION SON PROPIEDAD DE USO EXCLUSIVO Y CONFIDENCIAL DE REGAL-BELOIT CORPORATION. Y NO DEBERAN SER REVELADOS, DUPLICADOS, DISTRIBUIDOS O USARSE DE OTRA MANERA SIN EL CONSENTIMIENTO ESCRITO DE REGAL-BELOIT CORPORATION. -TODOS LOS DERECHOS RESERVADOS.



REGAL-BELOIT CORPORATION

DESCRIPCION: MODEL-RFHP-42FR OUTLINE  
TAMAÑO: C NUMERO DE DIBUJO: DA3E7293  
ESCALA: NONE HOJA: 1

