

PRODUCT INFORMATION PACKET



Model No: 9677
Catalog No: 9677

Fan Coil & Air Conditioner Motor, 1/6 HP, 1 Ph, 60 Hz, 115 V, 1050 RPM, 4 Speed, 42 Frame, OAO



Regal and Century are trademarks of Regal Rexnord Corporation or one of its affiliated companies.
©2022 Regal Rexnord Corporation, All Rights Reserved. MC017097E





Nameplate Specifications

Output HP	1/6 Hp	Output KW	0.13 kW
Frequency	60 Hz	Voltage	115 V
Current	8.6 A	Speed	1050 rpm
Service Factor	1	Phase	1
Duty	Air Over	Insulation Class	B
Frame	42Y	Enclosure	Open Air Over
Thermal Protection	Automatic	Ambient Temperature	40 °C
UL	Recognized	CSA	Y
CE	N	Number of Speeds	4

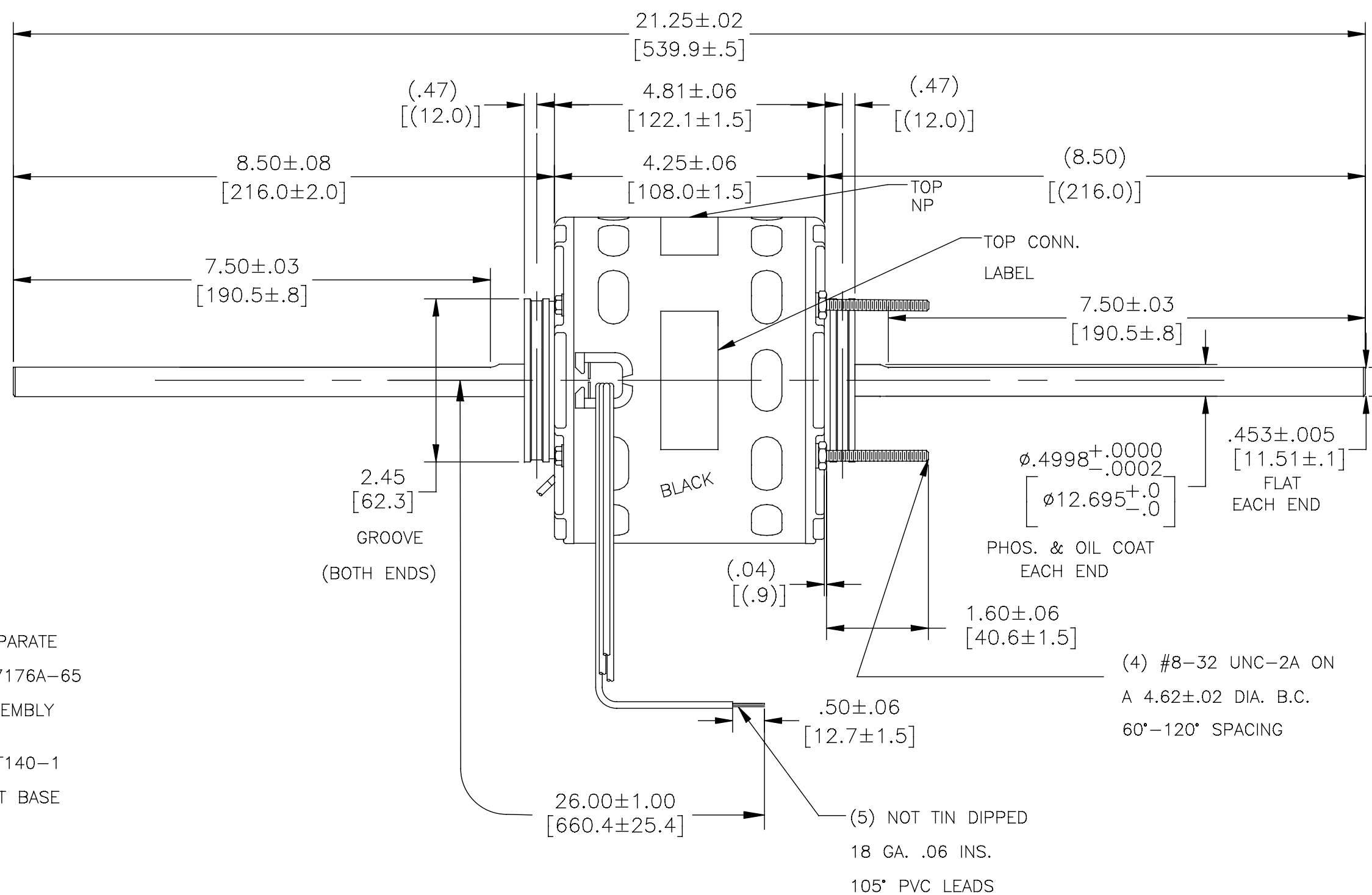
Technical Specifications

Electrical Type	Shaded Pole	Starting Method	Across The Line
Poles	6	Rotation	Counterclockwise Lead End
Mounting	Resilient Rings	Motor Orientation	Horizontal
Drive End Bearing	Sleeve	Opp Drive End Bearing	Sleeve
Frame Material	Rolled Steel	Shaft Type	Flat
Overall Length	21.25 in	Frame Length	3.67 in
Shaft Diameter	0.500 in	Shaft Extension	8.5X.5X8.5 in
Outline Drawing	DA3G7209-S01		

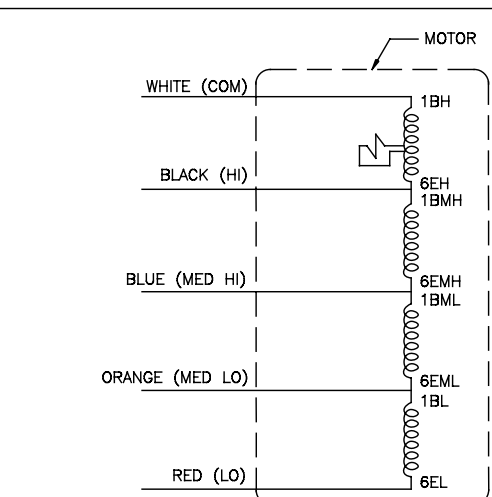
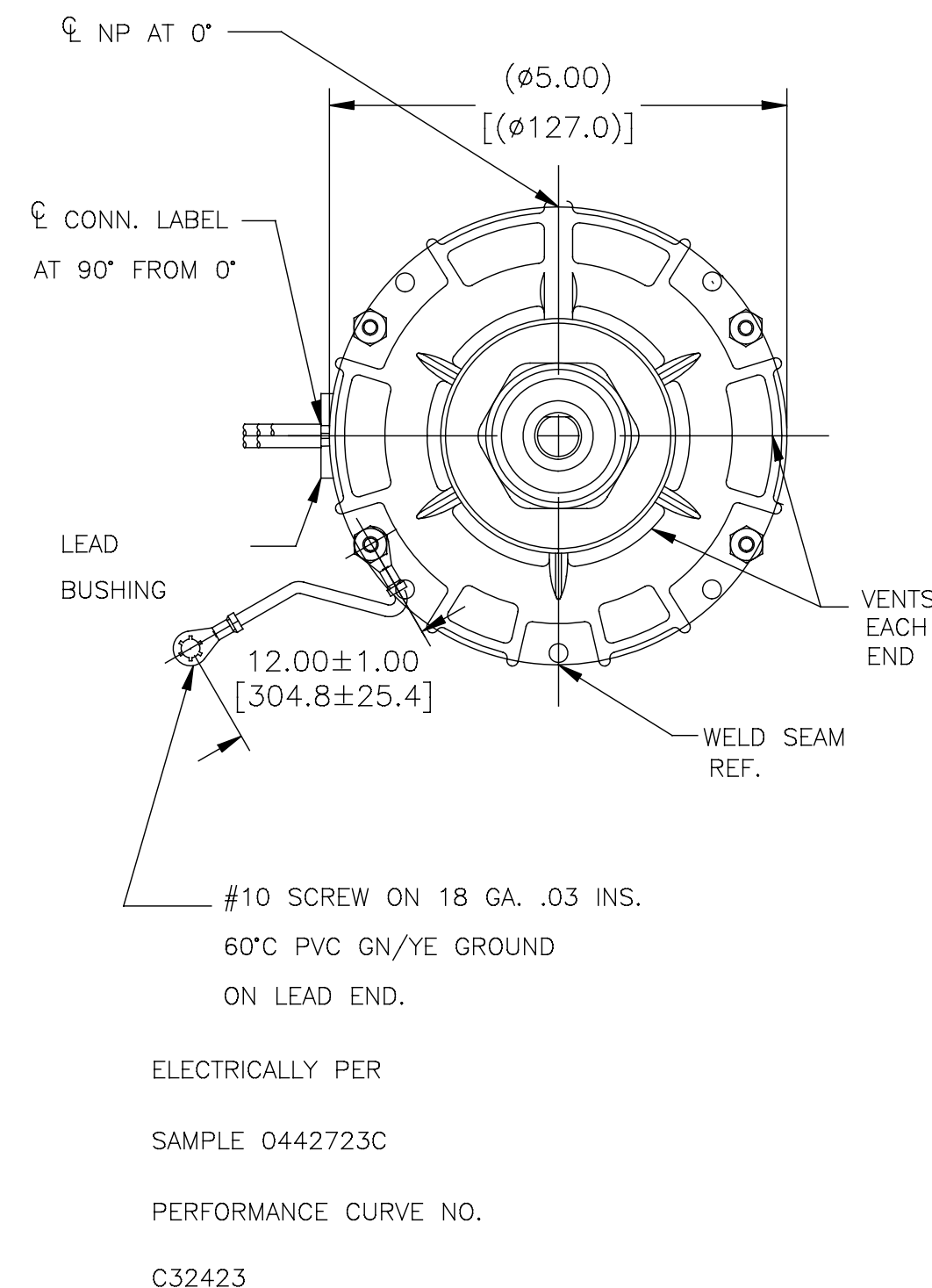
This is an uncontrolled document once printed or downloaded and is subject to change without notice. Date Created:11/28/2022

CUSTOMER IS SOLELY RESPONSIBLE FOR MOTOR PERFORMANCE AND SUITABILITY IN APPLICATIONS FOR CUSTOMER'S USES.

END PLAY .005[.13] MIN - .040[1.02] MAX
 MAX. SHAFT RUN OUT .001[.03] PER INCH
 MAX. RUN OUT NOT TO EXCEED .010[.25]



SHIP SEPARATE
 (1) 72T7176A-65
 BAG ASSEMBLY
 (1) 152T140-1
 RESILIENT BASE



SCHEMATIC-281

ROT.: - CCWLE

NAMEPLATE DATA:

Century Tipp City, OH THERMALLY PROTECTED

SER. DATE & P0# PLT LIR MOD DA3G209N[®] STK NO. 9677
 VOLTS 115 HZ 60 AMPS 8.6
 RPM 1050 SP 4 PH 1 CAP
 INS CL B AMB40°C HP 1/6 CONT. A.O. ← ROTATION ←
 BRG SLV ASSEMBLED IN MEXICO

CONN. LABEL
 10004653-002-001

DRAWING REVISION F	REVISION BY C.ZHOU	DATE 10-27-2015	TOLERANCES UNLESS OTHERWISE SPECIFIED DEC. INCH mm ANGLE .X ±0.1 [±2.5] ±0.5° .XX ±0.02 [±0.51] .XXX ±0.005 [±0.127] .XXXX ±0.0005 [±0.0127]	DRAWN BY: JRUPER	REGAL ™ Regal Beloit America, Inc.
ECO ECO-0087749	APPROVED BY C.ZHANG	DATE 10-27-2015	REMOVE BURRS & BREAK SHARP EDGES .003/.015 [0.076/.381] CORNER FILLETS .02 [51] MACHINED SURFACES 125/3.2 INCH/mm	DATE: 11-15-2004	
ECO DESCRIPTION @ZONE A1 CHANGE CONN LB TO 10004653-002-001				APPROVED BY: GPIAIT	DESCRIPTION MODEL-RFHP-42FR OUTLINE
COPYRIGHT REGAL BELOIT AMERICA, INC. ALL RIGHTS RESERVED. PROPRIETARY AND CONFIDENTIAL INFORMATION - THIS DOCUMENT IS THE PROPERTY OF REGAL BELOIT AMERICA, INC. (OWNERS) AND CONTAINS OWNERS PROPRIETARY INFORMATION. ANY PERSON, CORPORATION OR OTHER FIRM RECEIVING IT IS DEEMED, BY RECEIVING IT, TO AGREE THAT IT, AND/OR ANY PART OF IT, SHALL NOT BE DISCLOSED TO ANY PERSON, CORPORATION OR OTHER ENTITY, DUPLICATED, AND/OR USED, EXCEPT AS EXPRESSLY APPROVED IN WRITING IN ADVANCE BY OWNER. THIS DOCUMENT SHALL BE RETURNED TO OWNER UPON REQUEST. IT MAY BE SUBJECT TO CERTAIN RESTRICTIONS UNDER APPLICABLE EXPORT CONTROL LAWS AND REGULATIONS.				DATE: 11-15-2004	MATERIAL -
				REFERENCE -	PROCESS/FINISH -
				THIRD ANGLE PROJECTION	SIZE DWG NO C DA3G7209
					SHEET 1