

# PRODUCT INFORMATION PACKET

Model No: 9678

Catalog No: 9678

Fan Coil & Air Conditioner Motor, 1/4 HP, 1 Ph, 60 Hz, 115 V, 1050 RPM, 4 Speed, 42 Frame, OAO



Regal and are trademarks of Regal Rexnord Corporation or one of its affiliated companies.  
©2022 Regal Rexnord Corporation, All Rights Reserved. MC017097E

**Nameplate Specifications**

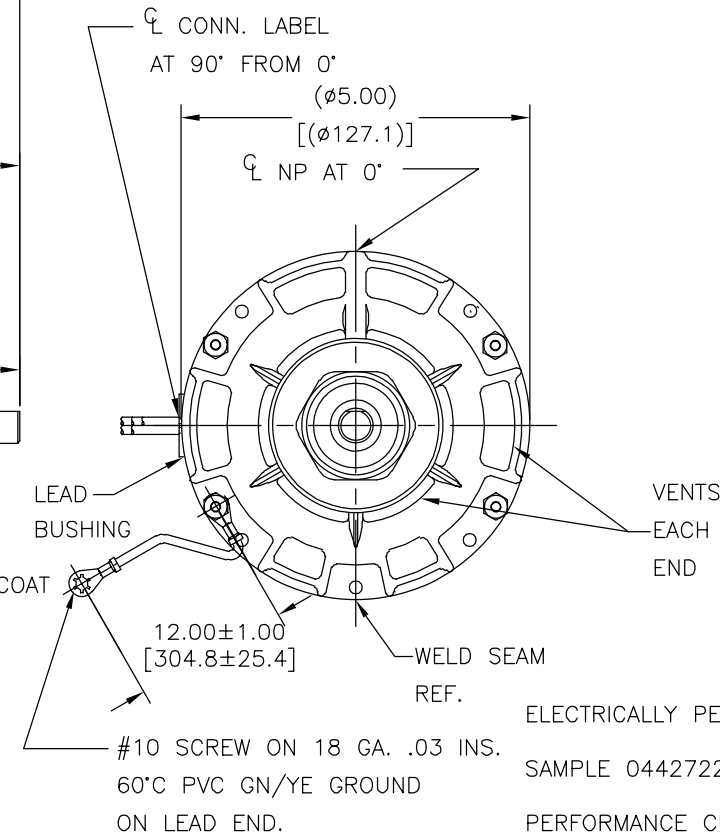
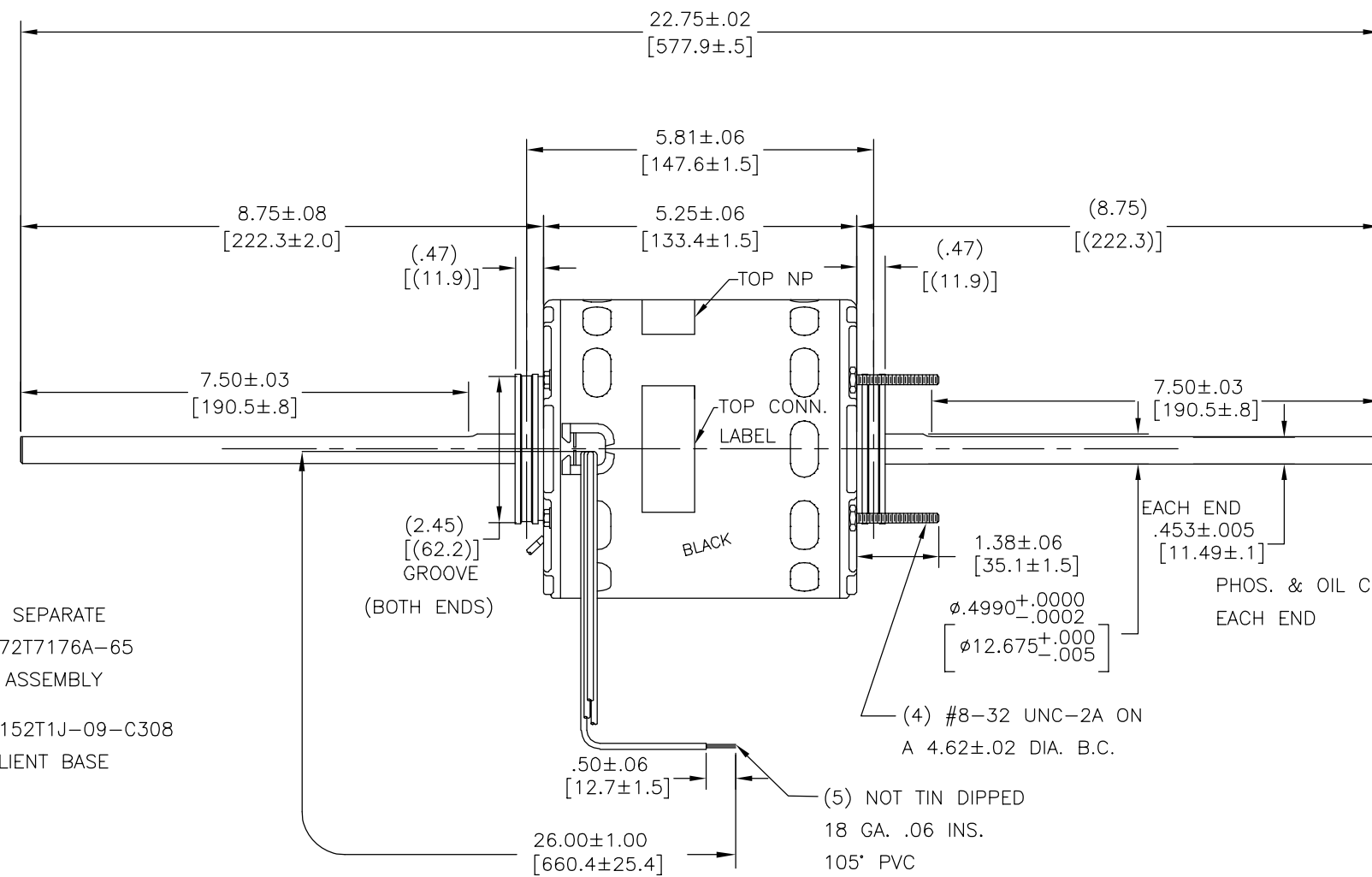
Output HP	1/4 Hp	Output KW	0.19 kW
Frequency	60 Hz	Voltage	115 V
Current	8.5 A	Speed	1050 rpm
Service Factor	1	Phase	1
Duty	Air Over	Insulation Class	B
Frame	42Y	Enclosure	Open Air Over
Thermal Protection	Automatic	Ambient Temperature	40 °C
UL	Recognized	CSA	Y
CE	N	Number of Speeds	4

**Technical Specifications**

Electrical Type	Shaded Pole	Starting Method	Across The Line
Poles	6	Rotation	Counterclockwise Lead End
Mounting	Extended Studs	Motor Orientation	Horizontal
Drive End Bearing	Sleeve	Opp Drive End Bearing	Sleeve
Frame Material	Rolled Steel	Shaft Type	Flat
Overall Length	22.75 in	Frame Length	4.67 in
Shaft Diameter	0.500 in	Shaft Extension	8.8X.5X8.8 in
Outline Drawing	9678-S01		

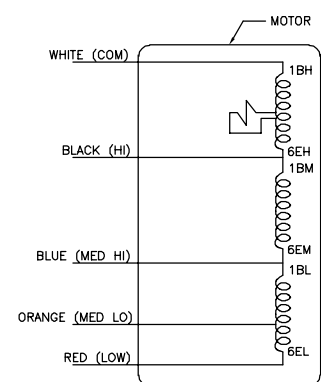
This is an uncontrolled document once printed or downloaded and is subject to change without notice. Date Created:09/15/2022

REV	ECO	REV BY	DATE	APPD	DATE
A	0038154	J.M.RAMIREZ	11-15-2013	G.ALVIDREZ	11-15-2013



SHIP SEPARATE  
 (1) 72T7176A-65 BAG ASSEMBLY  
 (1) 152T1J-09-C308 RESILIENT BASE

ELECTRICALLY PER SAMPLE 0442722B PERFORMANCE CURVE NO. C32352



NAMEPLATE DATA:

**Century** Tipp City, OH THERMALLY PROTECTED  
 SER. DATE & P0# PLT LTR MOD DA3J093N\* STK NO. 9678  
 VOLTS 115 HZ 60 AMPS 8.5  
 RPM 1050/4 SPD PH CAP  
 INS CL B AMB40°C HP 1/4 CONT. A.O. ←ROTATION→ ASSEMBLED IN MEXICO  
 BRG SLV

CONN. LABEL 63T7432-301

GEOMETRIC CHARACTERISTICS & SYMBOLS

- FLATNESS
- STRAIGHTNESS
- ∠ ANGULARITY
- ⊥ PERPENDICULARITY (SQUARENESS)
- // PARALLELISM
- ROUNDNESS (CIRCULARITY)
- ⊘ CYLINDRICITY
- △ PROFILE OF ANY SURFACE
- ∩ PROFILE OF ANY LINE
- ↗ RUNOUT
- ⊕ TRUE POSITION
- ◎ CONCENTRICITY
- = SYMMETRY

ASME Y14.5M 1994

UNLESS OTHERWISE SPECIFIED DIM. TOLERANCES ARE AS FOLLOWS:

INCH	±.1	±.02	±.005	±.0005
mm	±0.5	±0.13	±0.013	

ANG. ±.50 DEG  
 REMOVE BURRS & BREAK SHARP EDGES:  
 INCH .003-.015 mm 0.1-0.4  
 CORNER FILLETS TO:  
 INCH .020 mm 0.5  
 MACHINE SURFACES:  
 INCH 125 mm 3.2

METRIC DIMS. SHOWN IN [BRACKETS]

DR BY:	J.M.RAMIREZ	11-15-2013
APPD:	G.ALVIDREZ	11-15-2013
THIRD ANGLE PROJECTION	EDS DATE 11-11-2011	FORMAT REV H
CONFIDENTIAL: THIS DRAWING AND ITS INFORMATION ARE THE EXCLUSIVE AND CONFIDENTIAL PROPERTY OF REGAL-BELOIT CORPORATION AND ARE NOT TO BE DISCLOSED, DUPLICATED, DISTRIBUTED OR OTHERWISE USED WITHOUT THE WRITTEN CONSENT OF REGAL-BELOIT CORPORATION. -ALL RIGHTS RESERVED.		

<b>REGAL</b> REGAL-BELOIT CORPORATION	
DESCRIPTION MODEL-RFHP-42FR OUTLINE	
SIZE C	DWG NO 9678
SCALE NONE	SHEET 1