





**Nameplate Specifications**

Phase	1	Output HP	1/5 Hp
Output KW	0.15 kW	Voltage	115 V
Speed	1050 rpm	Service Factor	1.0
Frame	42Y	Enclosure	Open Enclosed
Thermal Protection	Automatic	Ambient Temperature	40 °C
Frequency	60 Hz	Current	6.7 A
Duty	Air Over	Insulation Class	B
UL	Recognized	CSA	Y
CE	N	Number of Speeds	1

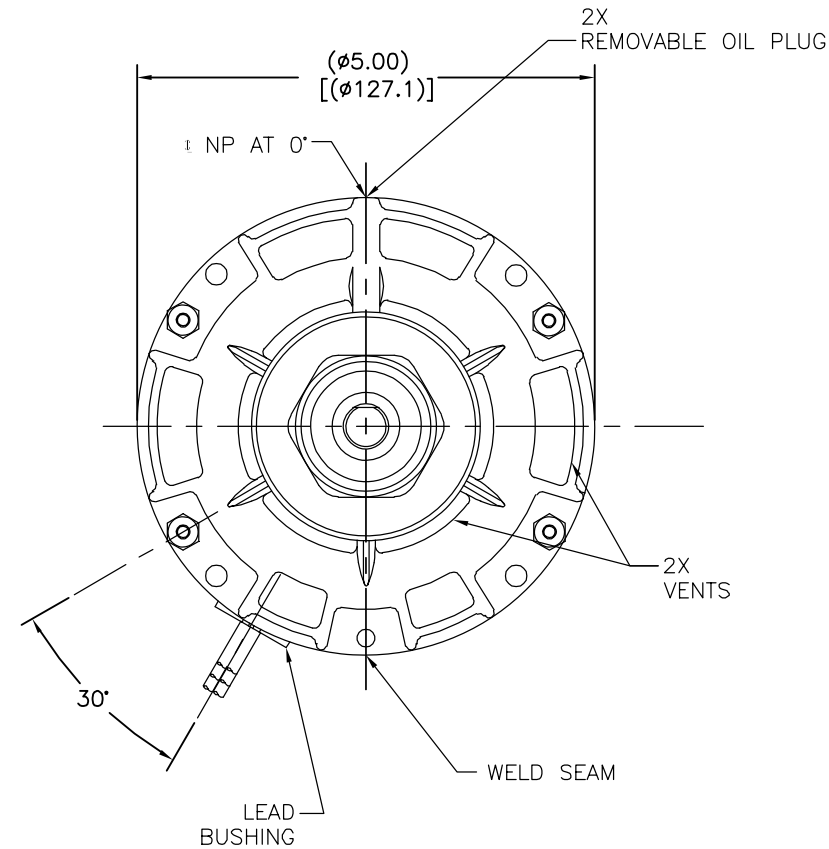
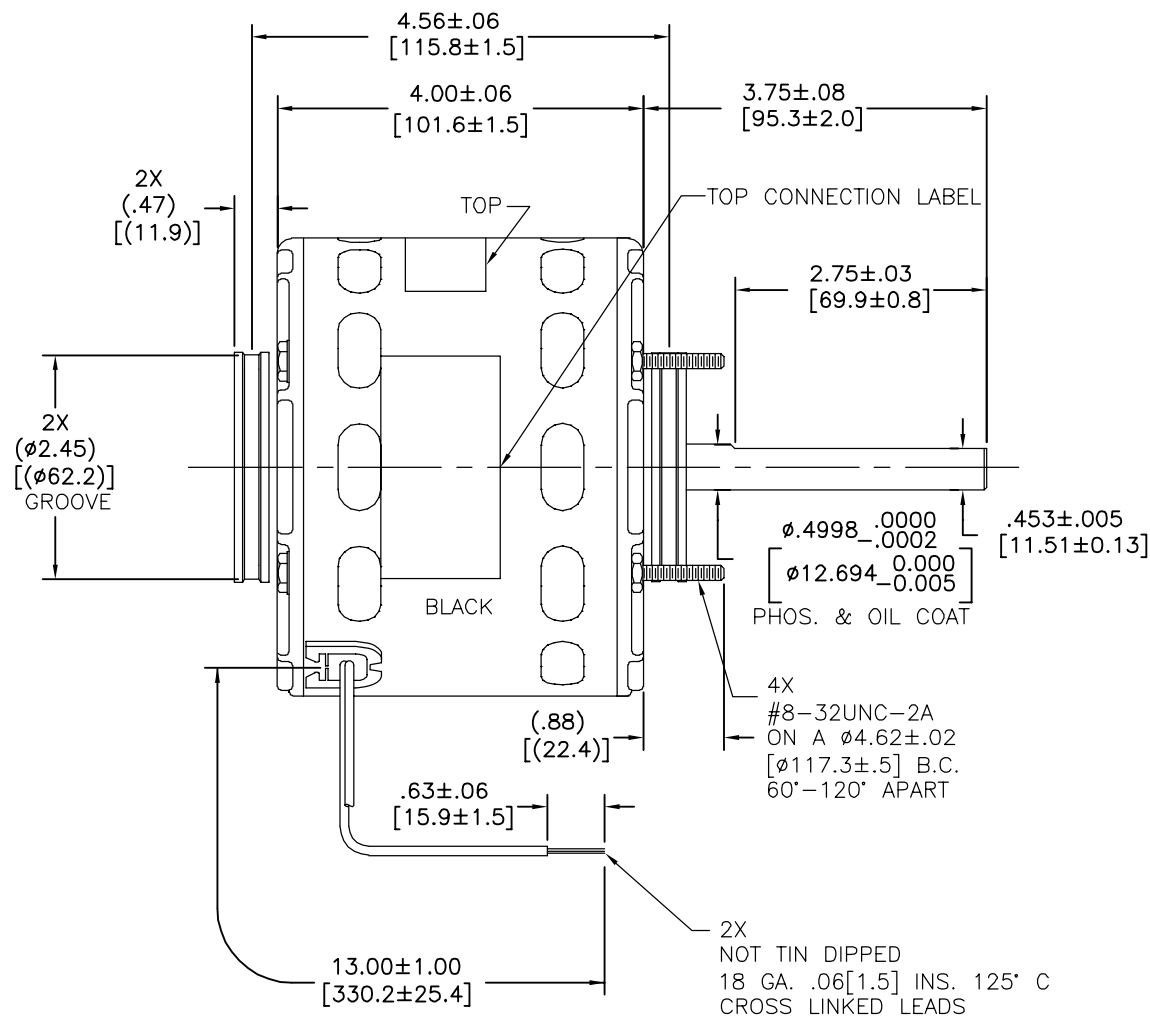
**Technical Specifications**

Electrical Type	Shaded Pole	Starting Method	Across The Line
Poles	6	Rotation	Counterclockwise Lead End
Mounting	Resilient Rings	Motor Orientation	Horizontal
Drive End Bearing	Sleeve	Opp Drive End Bearing	Sleeve
Frame Material	Rolled Steel	Shaft Type	Flat
Overall Length	7.75 in	Frame Length	3.42 in
Shaft Diameter	0.500 in	Shaft Extension	3.8 in
Outline Drawing	DA3H7026-S01		

This is an uncontrolled document once printed or downloaded and is subject to change without notice. Date Created:02/10/2025

CUSTOMER IS SOLELY RESPONSIBLE FOR MOTOR PERFORMANCE AND SUITABILITY IN APPLICATIONS FOR CUSTOMER'S USES.

END PLAY .005[.13] MIN - .040[1.02] MAX  
 MAX. SHAFT RUN OUT .001[.02] PER INCH  
 MAX. RUN OUT NOT TO EXCEED .010[.25]



NOTE  
 1. DISTRIBUTION PART NUMBER: 9690  
 GRAINGER PART NUMBER: 4UU89

SEE NOTE 1

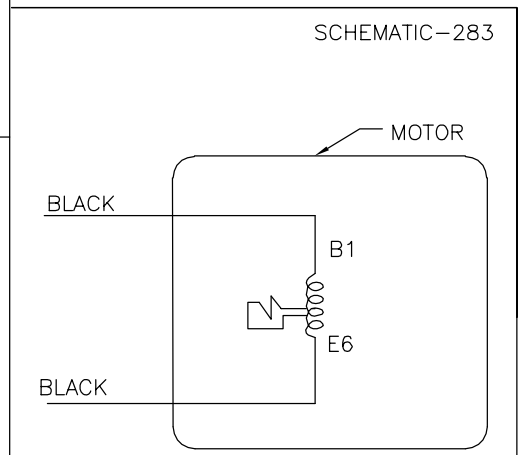
ROT.: - CCWLE

NAMEPLATE DATA:

**Century** Tipp City, OH  
 THERMALLY PROTECTED

SER. DATE & PO# PLT LTR DA3H026N"  
 VOLTS 115 HZ 60 AMPS 6.7  
 RPM 1050 SP 1 PH 1 CAP  
 INS CL B AMB 40°C HP 1/5 CONT. A.O. ← CCWLE  
 BRG SLV ASSEMBLED IN MEXICO

CONN. LABEL  
 2519596-001



ELECTRICALLY PER  
 SAMPLE S-9317E  
 CURVE #32447

DRAWING REVISION	REVISION BY	DATE	TOLERANCES UNLESS OTHERWISE SPECIFIED	DRAWN BY:	REGAL Regal Beloit America, Inc.
G	R.ZHOU	01-27-2015	DEC. INCH mm ANGLE	DATE:	
ECO	APPROVED BY	DATE	.X ±0.1 [±2.5] ±0.5°	APPROVED BY:	DESCRIPTION
ECO-0070368	C.ZHANG	01-27-2015	.XX ±0.02 [±0.51]	DATE:	MODEL-RFHP-42FR
SEE ECO			.XXX ±0.005 [±0.127]	REFERENCE	OUTLINE
			.XXXX ±0.0005 [±0.0127]	MATERIAL	PROCESS/FINISH
			REMOVE BURRS & BREAK SHARP EDGES .003/.015 [0.076/.381]	SIZE DWG NO	
			CORNER FILLETS .02 [1.51]	DA3H7026	SHEET
			MACHINED SURFACES .125/ mm 3/2		1
			mm SHOWN IN [BRACKETS]	THIRD ANGLE PROJECTION	