

# PRODUCT INFORMATION PACKET



Model No: 9695  
Catalog No: 9695

Fan and Blower Motor, 1/5-1/6-1/8 HP, 1 Ph, 60 Hz, 115 V, 1050 RPM, 3 Speed, 42 Frame, OAO



Regal and Century are trademarks of Regal Rexnord Corporation or one of its affiliated companies.  
©2025 Regal Rexnord Corporation, All Rights Reserved. MC017097E





**Nameplate Specifications**

Phase	1	Output HP	1/5-1/6-1/8 Hp
Output KW	0.15 kW	Voltage	115 V
Speed	1050 rpm	Service Factor	1.0
Frame	42Y	Enclosure	Open Air Over
Thermal Protection	Automatic	Ambient Temperature	40 °C
Frequency	60 Hz	Current	6.8/5.3/4.2 A
Duty	Air Over	Insulation Class	A
UL	Recognized	CSA	Y
CE	N	Number of Speeds	3

**Technical Specifications**

Electrical Type	Shaded Pole	Starting Method	Across The Line
Poles	6	Rotation	Counterclockwise Lead End
Mounting	Resilient Rings	Motor Orientation	Horizontal
Drive End Bearing	Sleeve	Opp Drive End Bearing	Sleeve
Frame Material	Rolled Steel	Shaft Type	Flat
Overall Length	10.50 in	Frame Length	4.42 in
Shaft Diameter	0.500 in	Shaft Extension	5.5 in
Outline Drawing	DA3J7094-S01		

This is an uncontrolled document once printed or downloaded and is subject to change without notice. Date Created:02/10/2025

4

3

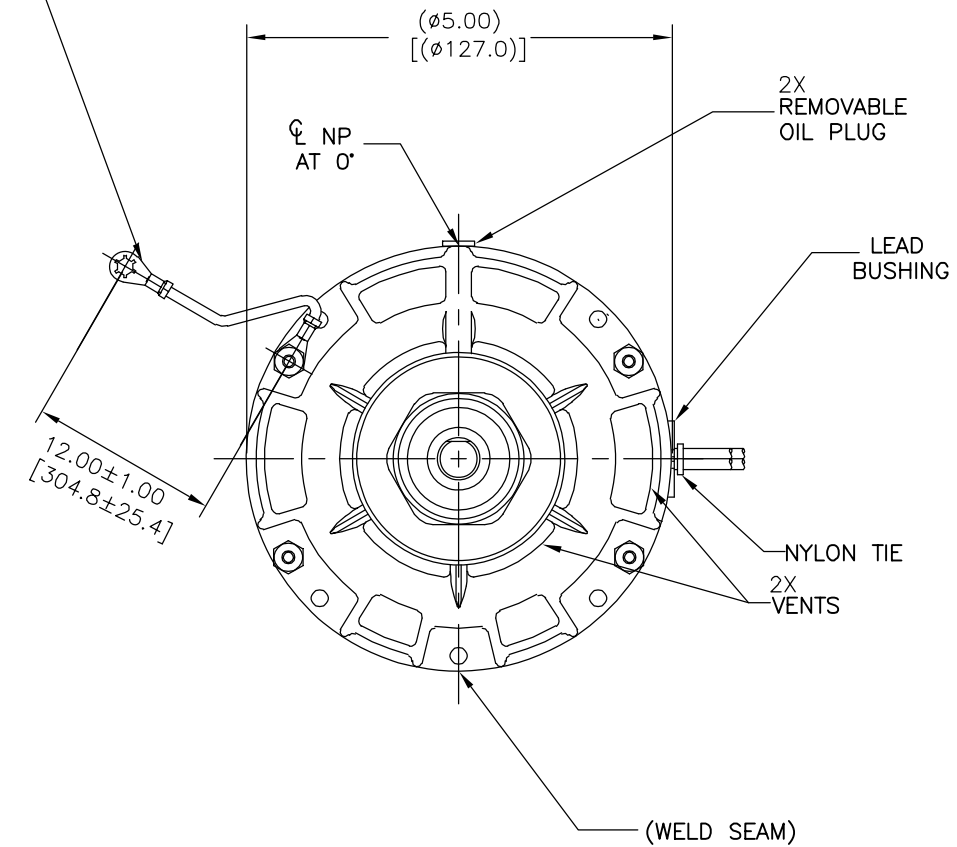
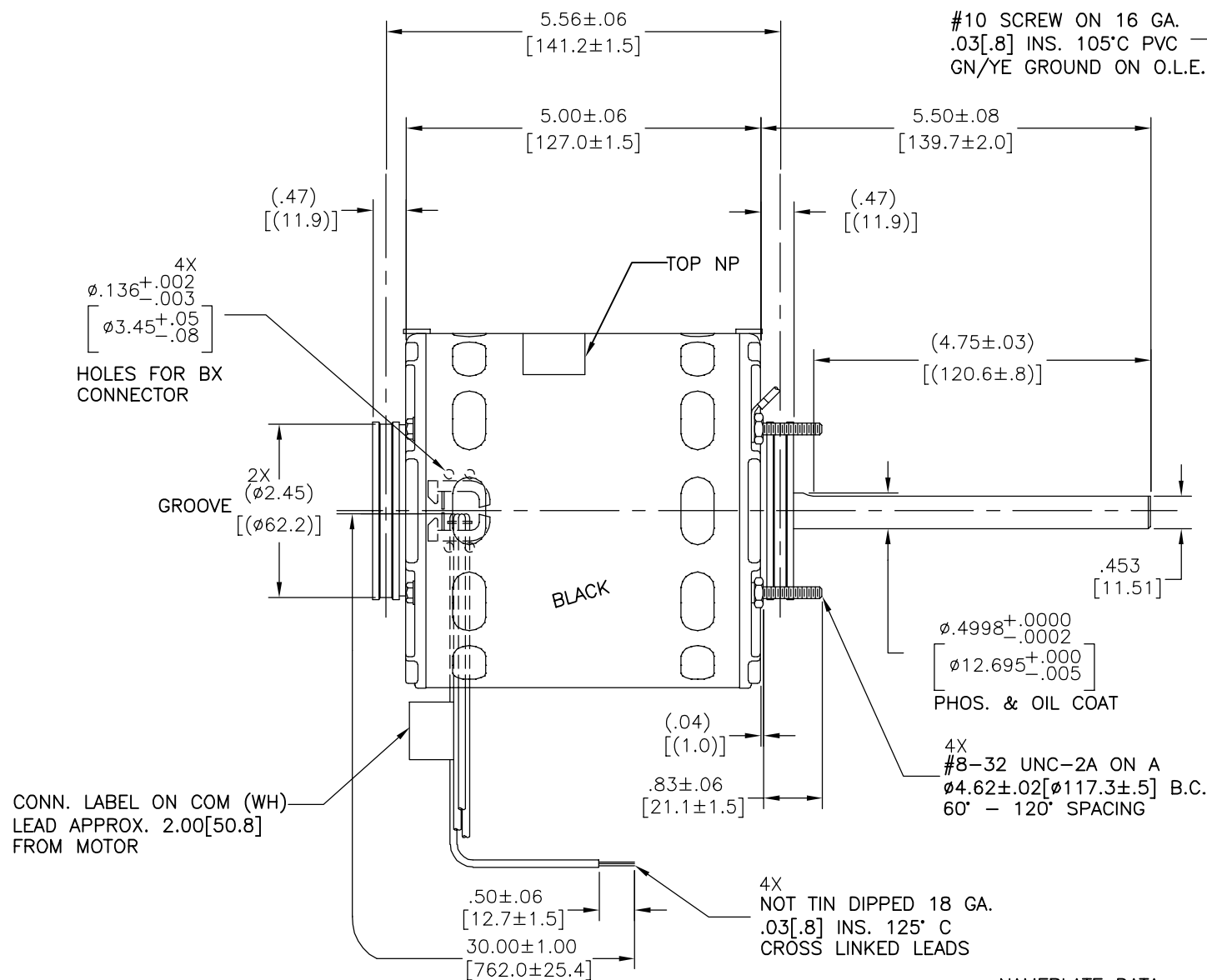
2

1

CUSTOMER IS SOLELY RESPONSIBLE FOR MOTOR PERFORMANCE AND SUITABILITY IN APPLICATIONS FOR CUSTOMER'S USES.

REV	ECO	REV BY	DATE	APPD	DATE
F	0029020	J.AGUILERA	07-11-12	D.BALDERRAMA	07-11-12

END PLAY .005[.13] MIN - .040[1.02] MAX  
 MAX. SHAFT RUN OUT .001[.03] PER INCH  
 MAX. RUN OUT NOT TO EXCEED .010[.25]



NOTE:  
 1. DISTRIBUTION PART NUMBER: 9695  
 GRAINGER PART NUMBER: 4UY10

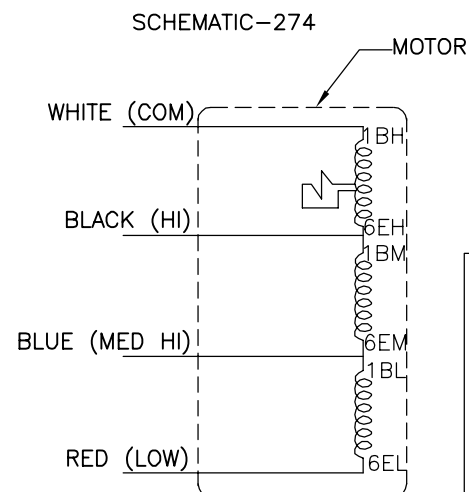
NAMEPLATE DATA:

**Century** Tipp City, OH  
 THERMALLY PROTECTED

SER. DATE & PO# PLT LTR MOD DA3J094N# [ ] [ ] [ ] [ ] [ ] [ ]  
 VOLTS 115 HZ 60 AMPS 6.8  
 RPM 1050 SP 3 PH 1 CAP  
 INS CL A AMB40°C HP CONT. A.O. ← ROTATION →  
 BRG SLV BK HI 6.8 A 1/5 HP ASSEMBLED IN MEXICO  
 BU MED 5.3 A 1/6 HP  
 RD LO 4.2 A 1/8 HP  
 WH COM

ELECTRICALLY PER SAMPLE S-4335C  
 PERFORMANCE CURVE NO. C32370

CONN. LABEL 63T7433-210



ROT.: - CCWLE

GEOMETRIC CHARACTERISTICS & SYMBOLS

- FLATNESS
- STRAIGHTNESS
- < ANGLARITY
- ⊥ PERPENDICULARITY (SQUARENESS)
- // PARALLELISM
- ROUNDNESS (CIRCULARITY)
- ∅ CYLINDRICITY
- △ PROFILE OF ANY SURFACE
- ∩ PROFILE OF ANY LINE
- ∩ RUNOUT
- ⊕ TRUE POSITION
- ◎ CONCENTRICITY
- ≡ SYMMETRY

ASME Y14.5M 1994

UNLESS OTHERWISE SPECIFIED DIM. TOLERANCES ARE AS FOLLOWS:

INCH	X	XX	XXX	XXXX
	±.1	±.02	±.005	±.0005
mm	±0.5	±0.13	±0.013	

ANG. ±.50 DEG  
 REMOVE BURRS & BREAK SHARP EDGES:  
 INCH .003-.015 mm 0.1-0.4  
 CORNER FILLETS TO:  
 INCH .020 mm 0.5  
 MACHINE SURFACES:  
 INCH 125 mm 3.2

METRIC DIMS. SHOWN IN [BRACKETS]

DR BY: JRUPERT 09-27-2004

APPD:

THIRD ANGLE PROJECTION

EDS DATE 11-11-2011  
 FORMAT REV H

CONFIDENTIAL: THIS DRAWING AND ITS INFORMATION ARE THE EXCLUSIVE AND CONFIDENTIAL PROPERTY OF REGAL-BELOIT CORPORATION AND ARE NOT TO BE DISCLOSED, DUPLICATED, DISTRIBUTED OR OTHERWISE USED WITHOUT THE WRITTEN CONSENT OF REGAL-BELOIT CORPORATION. -ALL RIGHTS RESERVED.

**REGAL** REGAL-BELOIT CORPORATION

DESCRIPTION: MODEL-RFHP-42FR OUTLINE

SIZE C DWG NO DA3J7094

SCALE NONE SHEET 1

4

3

2

1

4

3

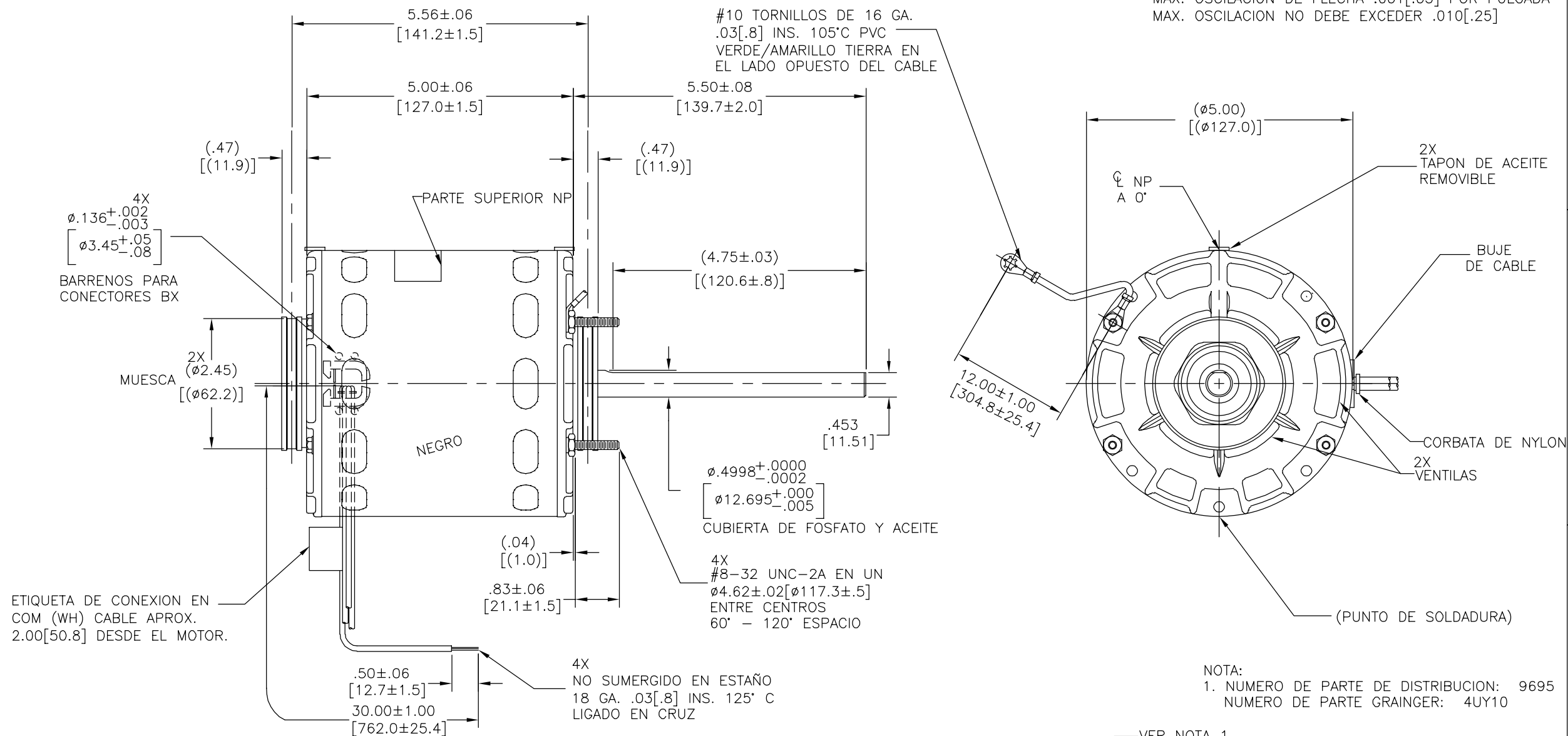
2

1

EL CLIENTE ES COMPLETAMENTE RESPONSABLE DEL DESEMPEÑO DEL MOTOR EN LOS USOS Y APLICACIONES CONVENIENTES PARA EL CLIENTE.

REVISION:	ECO	REVISADO POR:	FECHA:	APROBADO POR:	FECHA:
F	0029020	J.AGUILERA	07-11-12	D.BALDERRAMA	07-11-12

JUEGO AXIAL .005[.13] MIN - .040[1.02] MAX  
 MAX. OSCILACION DE FLECHA .001[.03] POR PULGADA  
 MAX. OSCILACION NO DEBE EXCEDER .010[.25]



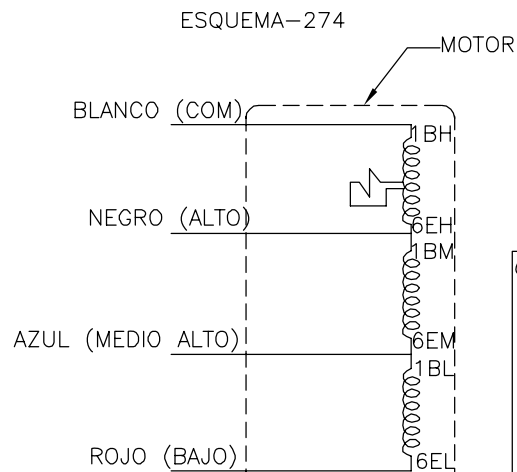
NOTA:  
 1. NUMERO DE PARTE DE DISTRIBUCION: 9695  
 NUMERO DE PARTE GRAINGER: 4UY10



SER. DATE & PO# PLT LTR MOD DA3J094N# [ ] [ ] [ ] [ ]  
 VOLTS 115 HZ 60 AMPS 6.8  
 RPM 1050 SP 3 PH 1 CAP  
 INS CL A AMB40° C HP CONT. A.O. ← ROTATION →  
 BRG SLV BK HI 6.8 A 1/5 HP ASSEMBLED IN MEXICO  
 BU MED 5.3 A 1/6 HP  
 RD LO 4.2 A 1/8 HP  
 WH COM

ELECTRICAMENTE POR MUESTRA S-4335C  
 NO. DE CURVA DE DESEMPEÑO C32370

ETIQUETA DE CONEXION 63T7433-210



CARACTERISTICAS DE GEOMETRIA Y SIMBOLOS  
 ▢ PLANICIDAD  
 - RECTITUD  
 < ANGULARIDAD  
 ⊥ PERPENDICULARIDAD (A ESCUADRA)  
 // PARALELISMO  
 ○ REDONDEZ (CIRCULARIDAD)  
 ∅ CILINDRICIDAD  
 △ PERFIL DE CUALQUIER SUPERFICIE  
 ∇ PERFIL DE CUALQUIER LINEA  
 ↗ VARIACION  
 ⊕ POSICION REAL  
 ⊙ CONCENTRICIDAD  
 = SIMETRIA

A MENOS QUE SE ESPECIFIQUE DE OTRA MANERA, LAS TOLERANCIAS DE LAS DIMS; SON LAS SIGUIENTES:  
 PULG ±.1 ±.02 ±.005 ±.0005  
 mm ±0.5 ±0.13 ±0.013  
 ANG. ±50 GRADOS  
 ELIMINAR REBABAS Y ORILLAS FILOSAS DEL BORDE.  
 PULG .003-.015 mm 0.1-0.4  
 FILETEAR ESQUINA: PULG .020 mm 0.5  
 MAQUINAR SUPERFICIES  
 PULG 125 mm 3.2  
 DIMS METRICAS MOSTRADAS [PARENTESIS]

DIBUJADO POR:	JRUPERT	09-27-2004
APROBADO POR:		
TERCER ANGULO DE PROYECCION	⊕	FECHA EDS: 11-11-2011 REV. FORMATO: H
CONFIDENCIAL: ESTE DIBUJO Y SU INFORMACION SON PROPIEDAD DE USO EXCLUSIVO Y CONFIDENCIAL DE REGAL-BELOIT CORPORATION. Y NO DEBERAN SER REVELADOS, DUPLICADOS, DISTRIBUIDOS O USARSE DE OTRA MANERA SIN EL CONSENTIMIENTO ESCRITO DE REGAL-BELOIT CORPORATION. -TODOS LOS DERECHOS RESERVADOS.		

<b>REGAL REGAL-BELOIT CORPORATION</b>	
DESCRIPCION: MODEL-RFHP-42FR OUTLINE	
TAMAÑO: C	NUMERO DE DIBUJO: DA3J7094
ESCALA: NONE	HOJA: 1