

PRODUCT INFORMATION PACKET



Model No: 9701
Catalog No: 9701

Fan and Blower Motor, 1/6 HP, 1 Ph, 60 Hz, 115 V, 1050 RPM, 3 Speed, 42 Frame, OPEN



Regal and Century are trademarks of Regal Rexnord Corporation or one of its affiliated companies.
©2022 Regal Rexnord Corporation, All Rights Reserved. MC017097E





Nameplate Specifications

Output HP	1/6 Hp	Output KW	0.13 kW
Frequency	60 Hz	Voltage	115 V
Current	6.3 A	Speed	1050 rpm
Service Factor	1	Phase	1
Duty	Air Over	Insulation Class	B
Frame	42Y	Enclosure	Open Enclosed
Thermal Protection	Automatic	Ambient Temperature	40 °C
UL	Recognized	CSA	Y
CE	N	Number of Speeds	3

Technical Specifications

Electrical Type	Shaded Pole	Starting Method	Across The Line
Poles	6	Rotation	Counterclockwise Lead End
Mounting	Resilient Rings	Motor Orientation	Horizontal
Drive End Bearing	Sleeve	Opp Drive End Bearing	Sleeve
Frame Material	N/A	Shaft Type	Flat
Overall Length	8.59 in	Shaft Diameter	0.500 in
Shaft Extension	4.5 in		
Outline Drawing	11674-037-S01	Connection Drawing	7559A83F01

This is an uncontrolled document once printed or downloaded and is subject to change without notice. Date Created:11/29/2022

4

3

2

1

GENERAL INFORMATION:

SHAFT RUNOUT: .001[.03] T.I.R. PER INCH[mm] LENGTH OF EXTENSION

END PLAY: .010[.25] TO .063[1.60]

BEARINGS: SLEEVE

MOUNTING POSITION: HORIZONTAL

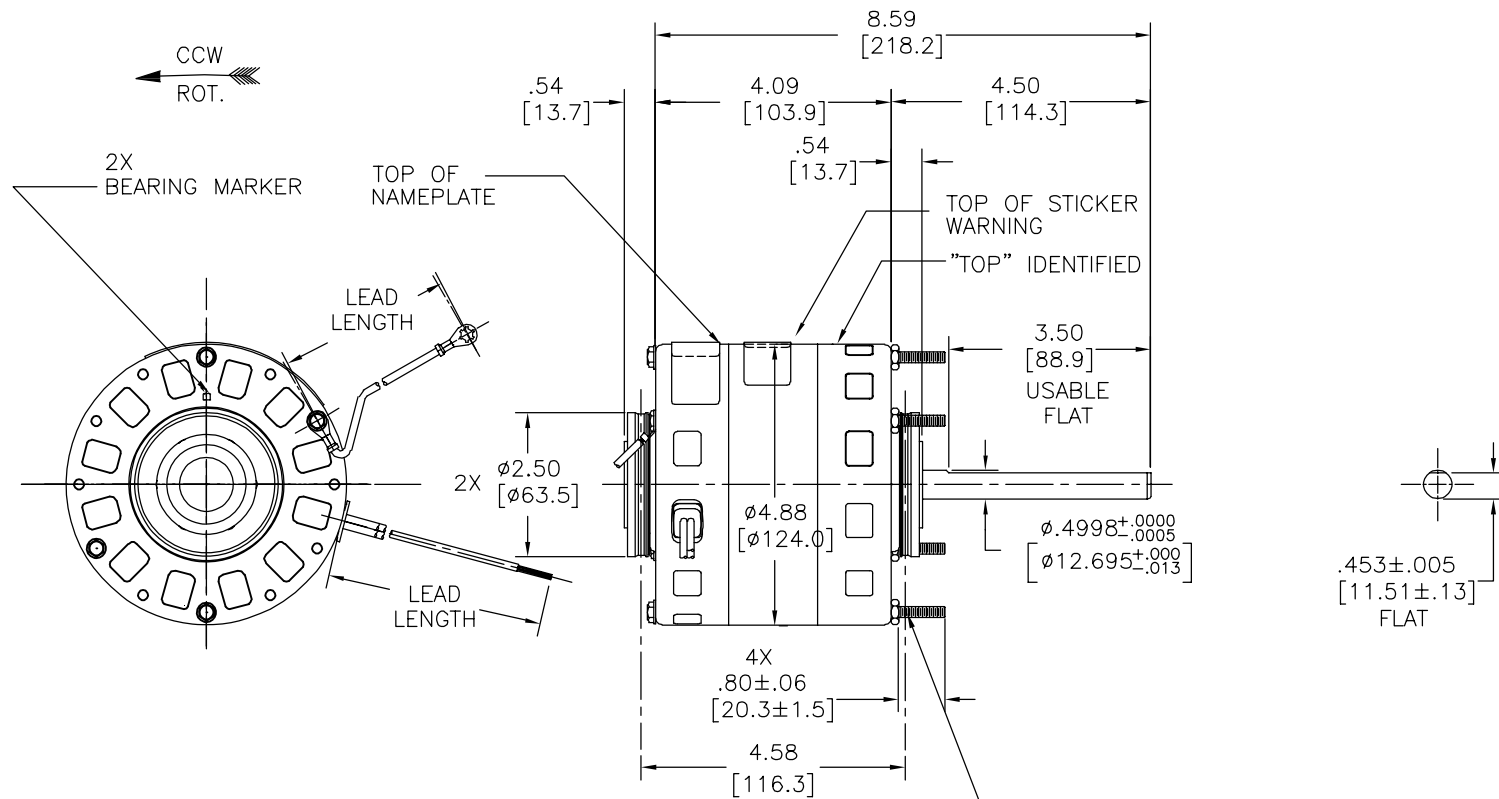
ELECTRICAL DATA:

OVERLOAD PROTECTOR: AUTOMATIC RESET (T.I. 7AM 304)

LEADS: NO. 18 GA., .03[.8] THK., 105°C INSUL. PVC

GROUND LEAD: NO. 18 GA., .03[.8] THK. GRN/YEL INSUL.

REV	ECO	REV BY	DATE	APPD	DATE
D	0025529	J.M.RAMIREZ	04-23-2012	R.RASCON	04-23-2012



SEE NOTE 1

NAMEPLATE DATA:	EXTERNAL CONNECTION DIAGRAM
MODEL NO.: B42A96A01 CUST. P/N: [] HP: 1/6 ROT.: CCWLE RPM: 1050/3 SPD TYPE: FE FRAME: 42Y VOLTS: 115 PH: 1 AMPS: 6.3 HZ: 60 INS.: B AMB.: 40°C DUTY: AIR OVER CAP.: --- CSA LOGO UL LOGO THERMALLY PROTECTED TYPE C	

GREEN (GRD)	11.00/13.00 [279.4/330.2]	#10 EYELET
WHITE	25.00/27.00 [635.0/685.8]	.50 [12.7] SKIN
BLACK	25.00/27.00 [635.0/685.8]	.50 [12.7] SKIN
BLUE	25.00/27.00 [635.0/685.8]	.50 [12.7] SKIN
RED	25.00/27.00 [635.0/685.8]	.50 [12.7] SKIN
COLOR	LENGTH	TERMINAL OR STRIP LENGTH

NOTE:
1. DISTRIBUTION PART NUMBER: 9701.
GRAINGER PART NUMBER: 4UU79.

MAIN FRAME - OLE	OPEN
END FRAME - OLE	OPEN
MAIN FRAME - LE	OPEN
END FRAME - LE	OPEN

CUST.	DISTRIBUTION SERVICE
-------	----------------------

PERFORMANCE CURVE NO.	TORQUE @ 1075 RPM (25°C)	APPROVED SAMPLE	UL COMPONENT	CSA
C32337	17.99 OZ. FT.	0443925B	E46412 PRGY2	LR43341 4211-01

GEOMETRIC CHARACTERISTICS & SYMBOLS

- FLATNESS
- STRAIGHTNESS
- ∠ ANGULARITY
- ⊥ PERPENDICULARITY (SQUARENESS)
- // PARALLELISM
- ROUNDNESS (CIRCULARITY)
- ⊘ CYLINDRICITY
- △ PROFILE OF ANY SURFACE
- ∩ PROFILE OF ANY LINE
- ↗ RUNOUT
- ⊕ TRUE POSITION
- ◎ CONCENTRICITY
- ≡ SYMMETRY

ASME Y14.5M 1994

UNLESS OTHERWISE SPECIFIED DIM. TOLERANCES ARE AS FOLLOWS:

INCH X XX XXX XXXX
mm ±0.5 ±0.13 ±0.013

ANG. ±.50 DEG

REMOVE BURRS & BREAK SHARP EDGES:
INCH .003-.015 mm 0.1-0.4

CORNER FILLETS TO:
INCH .020 mm 0.5

MACHINE SURFACES:
INCH 125 mm 3.2

METRIC DIMS. SHOWN IN [BRACKETS]

DR BY: S.RECKERS 08-21-2004

APPD: G.PIAT 09-09-2004

THIRD ANGLE PROJECTION

EDS DATE 11-11-2011
FORMAT REV G

CONFIDENTIAL: THIS DRAWING AND ITS INFORMATION ARE THE EXCLUSIVE AND CONFIDENTIAL PROPERTY OF REGAL-BELOIT CORPORATION AND ARE NOT TO BE DISCLOSED, DUPLICATED, DISTRIBUTED OR OTHERWISE USED WITHOUT THE WRITTEN CONSENT OF REGAL-BELOIT CORPORATION. -ALL RIGHTS RESERVED.

REGAL-BELOIT CORPORATION

DESCRIPTION: MODEL-RFHP-42FR OUTLINE

SIZE C DWG NO 11674-037

SCALE NONE SHEET 1

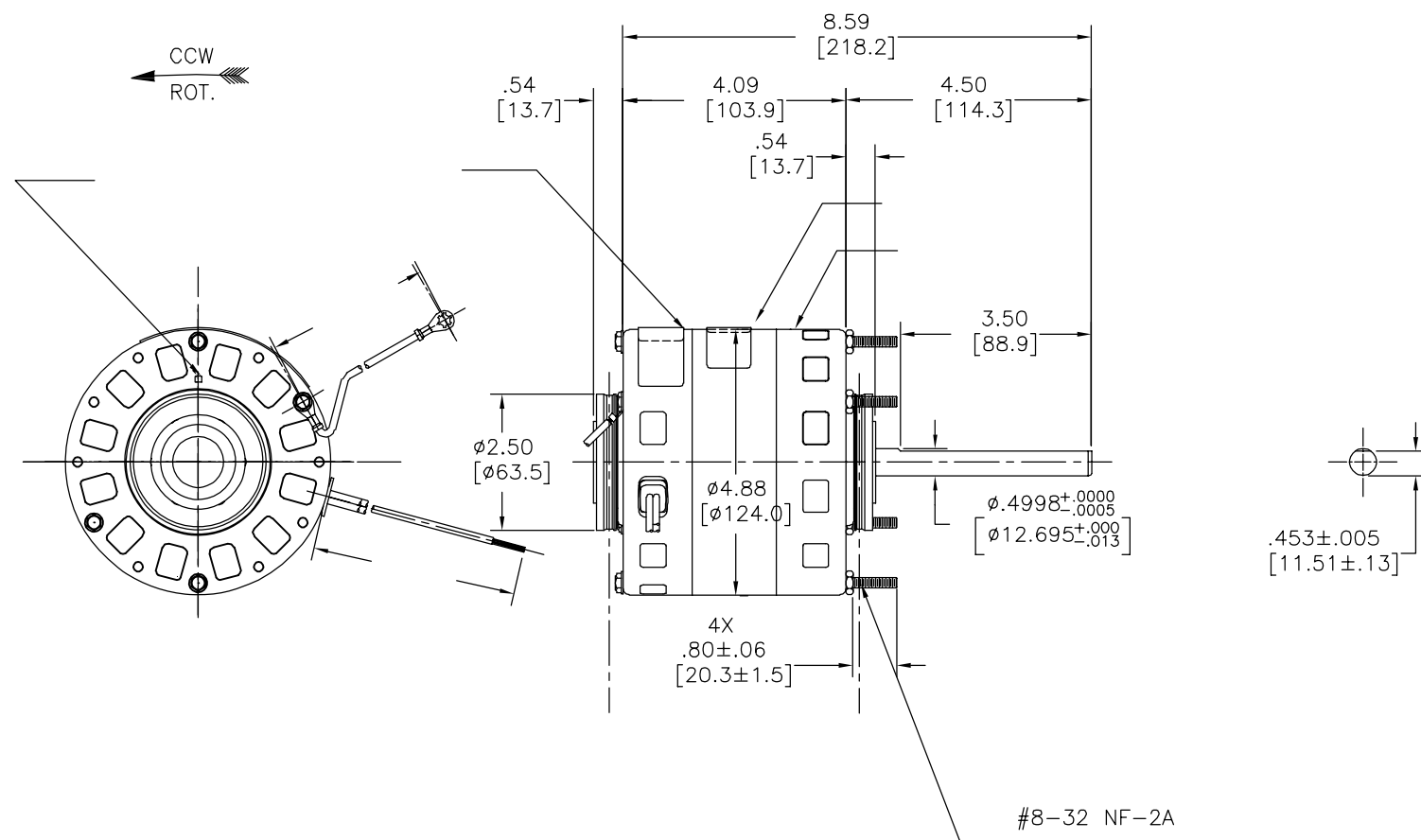
4

3

2

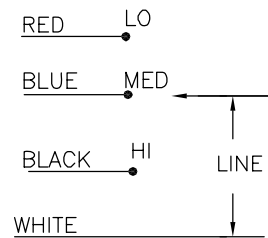
1

REVISION:	ECO	REVISADO POR:	FECHA:	APROBADO POR:	FECHA:
D	0025529	J.M.RAMIREZ	04-23-2012	R.RASCON	04-23-2012



ELECTRICAL DATA:

MODEL NO.: B42A96A01
 CUST. P/N: []
 HP: 1/6
 ROT.: CCWLE
 RPM: 1050/3 SPD
 TYPE: FE
 FRAME: 42Y
 VOLTS: 115
 PH: 1
 AMPS: 6.3
 HZ: 60
 INS.: B
 AMB.: 40°C
 DUTY: AIR OVER
 CAP.: ---
 CSA LOGO
 UL LOGO
 THERMALLY PROTECTED
 TYPE C



	11.00/13.00	
	[279.4/330.2]	
	25.00/27.00	.50 [12.7]
	[635.0/685.8]	
	25.00/27.00	.50 [12.7]
	[635.0/685.8]	
	25.00/27.00	.50 [12.7]
	[635.0/685.8]	
	25.00/27.00	.50 [12.7]
	[635.0/685.8]	

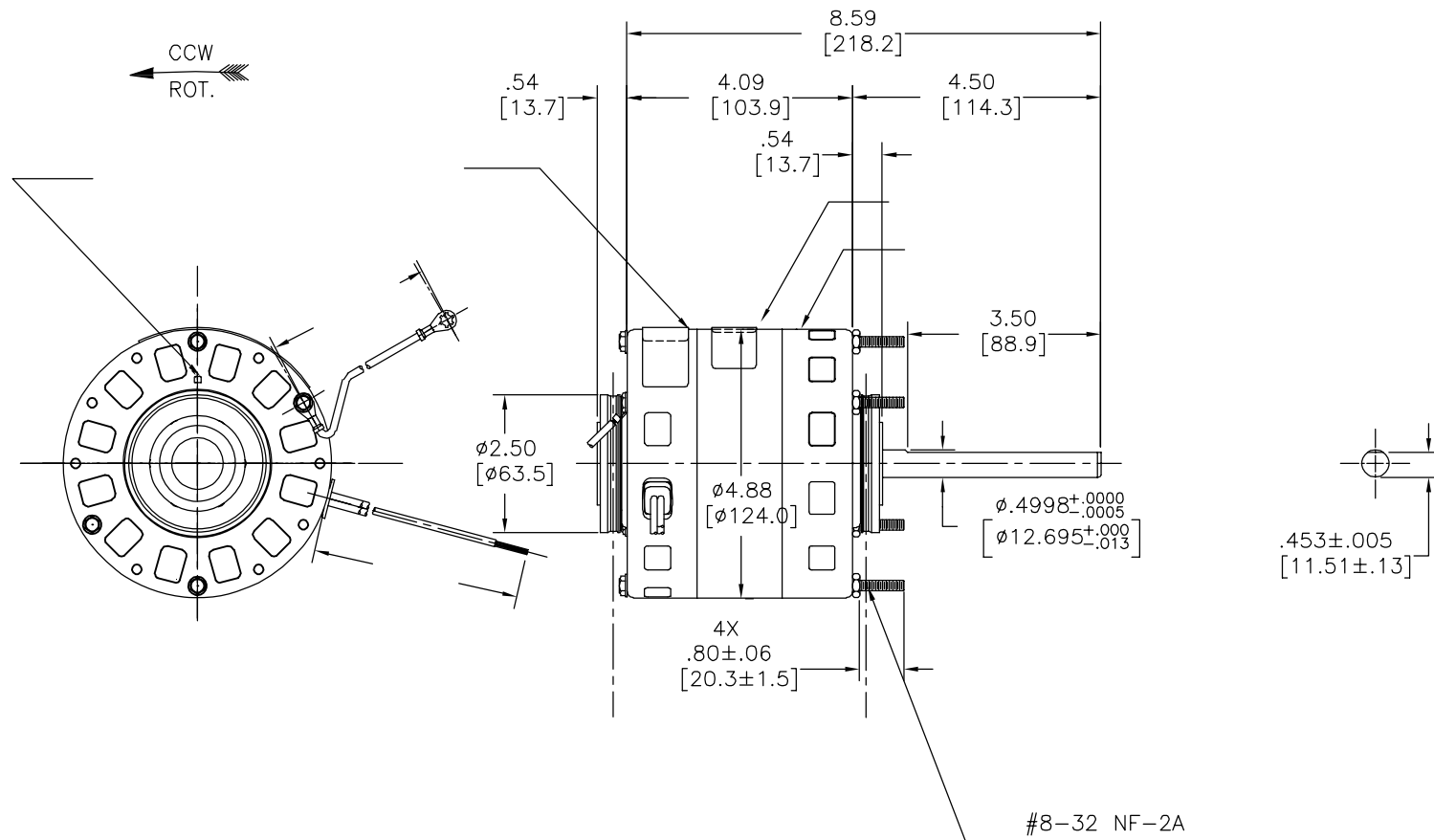
		CSA	
FILE #	CCN #	FILE #	CLASS #
C32337	17.99 OZ. FT.	0443925B	E46412 PRGY2 LR43341 4211-01

CSA LOGO
 UL LOGO
 THERMALLY PROTECTED
 TYPE C

CARACTERISTICAS DE GEOMETRIA Y SIMBOLOS
 □ PLANICIDAD
 — RECTITUD
 ∠ ANGULARIDAD
 ⊥ PERPENDICULARIDAD (A ESCUADRA)
 // PARALELISMO
 ○ REDONDEZ (CIRCULARIDAD)
 ∅ CILINDRICIDAD
 △ PERFIL DE CUALQUIER SUPERFICIE
 ∇ PERFIL DE CUALQUIER LINEA
 ↗ VARIACION
 ⊕ POSICION REAL
 ⊙ CONCENTRICIDAD
 = SIMETRIA
 ASME Y14.5M 1994

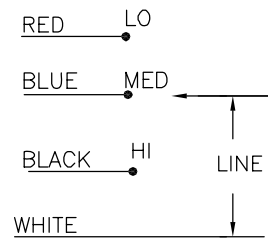
A MENOS QUE SE ESPECIFIQUE DE OTRA MANERA LAS TOLERANCIAS EN LAS DIMENSIONES SON LAS SIGUIENTES EN VARIAS AREAS: ±.005, ±.003, ±.002, ±.001, ±.010, ±.015, ±.020, ±.030, ±.040, ±.050, ±.060, ±.070, ±.080, ±.090, ±.100, ±.125, ±.150, ±.175, ±.200, ±.250, ±.300, ±.375, ±.450, ±.560, ±.700, ±.875, ±.1.125, ±.1.500, ±.1.875, ±.2.375, ±.3.000, ±.3.750, ±.4.500, ±.5.625, ±.7.000, ±.8.750, ±.11.250, ±.15.000, ±.18.750, ±.23.750, ±.30.000, ±.37.500, ±.45.000, ±.56.250, ±.70.000, ±.87.500, ±.112.500, ±.150.000, ±.187.500, ±.237.500, ±.300.000, ±.375.000, ±.450.000, ±.562.500, ±.700.000, ±.875.000, ±.1125.000, ±.1500.000, ±.1875.000, ±.2375.000, ±.3000.000, ±.3750.000, ±.4500.000, ±.5625.000, ±.7000.000, ±.8750.000, ±.11250.000, ±.15000.000, ±.18750.000, ±.23750.000, ±.30000.000, ±.37500.000, ±.45000.000, ±.56250.000, ±.70000.000, ±.87500.000, ±.112500.000, ±.150000.000, ±.187500.000, ±.237500.000, ±.300000.000, ±.375000.000, ±.450000.000, ±.562500.000, ±.700000.000, ±.875000.000, ±.1125000.000, ±.1500000.000, ±.1875000.000, ±.2375000.000, ±.3000000.000, ±.3750000.000, ±.4500000.000, ±.5625000.000, ±.7000000.000, ±.8750000.000, ±.11250000.000, ±.15000000.000, ±.18750000.000, ±.23750000.000, ±.30000000.000, ±.37500000.000, ±.45000000.000, ±.56250000.000, ±.70000000.000, ±.87500000.000, ±.112500000.000, ±.150000000.000, ±.187500000.000, ±.237500000.000, ±.300000000.000, ±.375000000.000, ±.450000000.000, ±.562500000.000, ±.700000000.000, ±.875000000.000, ±.1125000000.000, ±.1500000000.000, ±.1875000000.000, ±.2375000000.000, ±.3000000000.000, ±.3750000000.000, ±.4500000000.000, ±.5625000000.000, ±.7000000000.000, ±.8750000000.000, ±.11250000000.000, ±.15000000000.000, ±.18750000000.000, ±.23750000000.000, ±.30000000000.000, ±.37500000000.000, ±.45000000000.000, ±.56250000000.000, ±.70000000000.000, ±.87500000000.000, ±.112500000000.000, ±.150000000000.000, ±.187500000000.000, ±.237500000000.000, ±.300000000000.000, ±.375000000000.000, ±.450000000000.000, ±.562500000000.000, ±.700000000000.000, ±.875000000000.000, ±.1125000000000.000, ±.1500000000000.000, ±.1875000000000.000, ±.2375000000000.000, ±.3000000000000.000, ±.3750000000000.000, ±.4500000000000.000, ±.5625000000000.000, ±.7000000000000.000, ±.8750000000000.000, ±.11250000000000.000, ±.15000000000000.000, ±.18750000000000.000, ±.23750000000000.000, ±.30000000000000.000, ±.37500000000000.000, ±.45000000000000.000, ±.56250000000000.000, ±.70000000000000.000, ±.87500000000000.000, ±.112500000000000.000, ±.150000000000000.000, ±.187500000000000.000, ±.237500000000000.000, ±.300000000000000.000, ±.375000000000000.000, ±.450000000000000.000, ±.562500000000000.000, ±.700000000000000.000, ±.875000000000000.000, ±.1125000000000000.000, ±.1500000000000000.000, ±.1875000000000000.000, ±.2375000000000000.000, ±.3000000000000000.000, ±.3750000000000000.000, ±.4500000000000000.000, ±.5625000000000000.000, ±.7000000000000000.000, ±.8750000000000000.000, ±.11250000000000000.000, ±.15000000000000000.000, ±.18750000000000000.000, ±.23750000000000000.000, ±.30000000000000000.000, ±.37500000000000000.000, ±.45000000000000000.000, ±.56250000000000000.000, ±.70000000000000000.000, ±.87500000000000000.000, ±.112500000000000000.000, ±.150000000000000000.000, ±.187500000000000000.000, ±.237500000000000000.000, ±.300000000000000000.000, ±.375000000000000000.000, ±.450000000000000000.000, ±.562500000000000000.000, ±.700000000000000000.000, ±.875000000000000000.000, ±.1125000000000000000.000, ±.1500000000000000000.000, ±.1875000000000000000.000, ±.2375000000000000000.000, ±.3000000000000000000.000, ±.3750000000000000000.000, ±.4500000000000000000.000, ±.5625000000000000000.000, ±.7000000000000000000.000, ±.8750000000000000000.000, ±.11250000000000000000.000, ±.15000000000000000000.000, ±.18750000000000000000.000, ±.23750000000000000000.000, ±.30000000000000000000.000, ±.37500000000000000000.000, ±.45000000000000000000.000, ±.56250000000000000000.000, ±.70000000000000000000.000, ±.87500000000000000000.000, ±.112500000000000000000.000, ±.150000000000000000000.000, ±.187500000000000000000.000, ±.237500000000000000000.000, ±.300000000000000000000.000, ±.375000000000000000000.000, ±.450000000000000000000.000, ±.562500000000000000000.000, ±.700000000000000000000.000, ±.875000000000000000000.000, ±.1125000000000000000000.000, ±.1500000000000000000000.000, ±.1875000000000000000000.000, ±.2375000000000000000000.000, ±.3000000000000000000000.000, ±.3750000000000000000000.000, ±.4500000000000000000000.000, ±.5625000000000000000000.000, ±.7000000000000000000000.000, ±.8750000000000000000000.000, ±.11250000000000000000000.000, ±.15000000000000000000000.000, ±.18750000000000000000000.000, ±.23750000000000000000000.000, ±.30000000000000000000000.000, ±.37500000000000000000000.000, ±.45000000000000000000000.000, ±.56250000000000000000000.000, ±.70000000000000000000000.000, ±.87500000000000000000000.000, ±.112500000000000000000000.000, ±.150000000000000000000000.000, ±.187500000000000000000000.000, ±.237500000000000000000000.000, ±.300000000000000000000000.000, ±.375000000000000000000000.000, ±.450000000000000000000000.000, ±.562500000000000000000000.000, ±.700000000000000000000000.000, ±.875000000000000000000000.000, ±.1125000000000000000000000.000, ±.1500000000000000000000000.000, ±.1875000000000000000000000.000, ±.2375000000000000000000000.000, ±.3000000000000000000000000.000, ±.3750000000000000000000000.000, ±.4500000000000000000000000.000, ±.5625000000000000000000000.000, ±.7000000000000000000000000.000, ±.8750000000000000000000000.000, ±.11250000000000000000000000.000, ±.15000000000000000000000000.000, ±.18750000000000000000000000.000, ±.23750000000000000000000000.000, ±.30000000000000000000000000.000, ±.37500000000000000000000000.000, ±.45000000000000000000000000.000, ±.56250000000000000000000000.000, ±.70000000000000000000000000.000, ±.87500000000000000000000000.000, ±.112500000000000000000000000.000, ±.150000000000000000000000000.000, ±.187500000000000000000000000.000, ±.237500000000000000000000000.000, ±.300000000000000000000000000.000, ±.375000000000000000000000000.000, ±.450000000000000000000000000.000, ±.562500000000000000000000000.000, ±.700000000000000000000000000.000, ±.875000000000000000000000000.000, ±.1125000000000000000000000000.000, ±.1500000000000000000000000000.000, ±.1875000000000000000000000000.000, ±.2375000000000000000000000000.000, ±.3000000000000000000000000000.000, ±.3750000000000000000000000000.000, ±.4500000000000000000000000000.000, ±.5625000000000000000000000000.000, ±.7000000000000000000000000000.000, ±.8750000000000000000000000000.000, ±.11250000000000000000000000000.000, ±.15000000000000000000000000000.000, ±.18750000000000000000000000000.000, ±.23750000000000000000000000000.000, ±.30000000000000000000000000000.000, ±.37500000000000000000000000000.000, ±.45000000000000000000000000000.000, ±.56250000000000000000000000000.000, ±.70000000000000000000000000000.000, ±.87500000000000000000000000000.000, ±.112500000000000000000000000000.000, ±.150000000000000000000000000000.000, ±.187500000000000000000000000000.000, ±.237500000000000000000000000000.000, ±.300000000000000000000000000000.000, ±.375000000000000000000000000000.000, ±.450000000000000000000000000000.000, ±.562500000000000000000000000000.000, ±.700000000000000000000000000000.000, ±.875000000000000000000000000000.000, ±.1125000000000000000000000000000.000, ±.1500000000000000000000000000000.000, ±.1875000000000000000000000000000.000, ±.2375000000000000000000000000000.000, ±.3000000000000000000000000000000.000, ±.3750000000000000000000000000000.000, ±.4500000000000000000000000000000.000, ±.5625000000000000000000000000000.000, ±.7000000000000000000000000000000.000, ±.8750000000000000000000000000000.000, ±.11250000000000000000000000000000.000, ±.15000000000000000000000000000000.000, ±.18750000000000000000000000000000.000, ±.23750000000000000000000000000000.000, ±.30000000000000000000000000000000.000, ±.37500000000000000000000000000000.000, ±.45000000000000000000000000000000.000, ±.56250000000000000000000000000000.000, ±.70000000000000000000000000000000.000, ±.87500000000000000000000000000000.000, ±.112500000000000000000000000000000.000, ±.150000000000000000000000000000000.000, ±.187500000000000000000000000000000.000, ±.237500000000000000000000000000000.000, ±.300000000000000000000000000000000.000, ±.375000000000000000000000000000000.000, ±.450000000000000000000000000000000.000, ±.562500000000000000000000000000000.000, ±.700000000000000000000000000000000.000, ±.875000000000000000000000000000000.000, ±.1125000000000000000000000000000000.000, ±.1500000000000000000000000000000000.000, ±.1875000000000000000000000000000000.000, ±.2375000000000000000000000000000000.000, ±.3000000000000000000000000000000000.000, ±.3750000000000000000000000000000000.000, ±.4500000000000000000000000000000000.000, ±.5625000000000000000000000000000000.000, ±.7000000000000000000000000000000000.000, ±.8750000000000000000000000000000000.000, ±.11250000000000000000000000000000000.000, ±.15000000000000000000000000000000000.000, ±.18750000000000000000000000000000000.000, ±.23750000000000000000000000000000000.000, ±.30000000000000000000000000000000000.000, ±.37500000000000000000000000000000000.000, ±.45000000000000000000000000000000000.000, ±.56250000000000000000000000000000000.000, ±.70000000000000000000000000000000000.000, ±.87500000000000000000000000000000000.000, ±.112500000000000000000000000000000000.000, ±.150000000000000000000000000000000000.000, ±.187500000000000000000000000000000000.000, ±.237500000000000000000000000000000000.000, ±.300000000000000000000000000000000000.000, ±.375000000000000000000000000000000000.000, ±.450000000000000000000000000000000000.000, ±.562500000000000000000000000000000000.000, ±.700000000000000000000000000000000000.000, ±.875000000000000000000000000000000000.000, ±.1125000000000000000000000000000000000.000, ±.1500000000000000000000000000000000000.000, ±.1875000000000000000000000000000000000.000, ±.2375000000000000000000000000000000000.000, ±.3000000000000000000000000000000000000.000, ±.3750000000000000000000000000000000000.000, ±.4500000000000000000000000000000000000.000, ±.5625000000000000000000000000000000000.000, ±.7000000000000000000000000000000000000.000, ±.8750000000000000000000000000000000000.000, ±.11250000000000000000000000000000000000.000, ±.15000000000000000000000000000000000000.000, ±.18750000000000000000000000000000000000.000, ±.23750000000000000000000000000000000000.000, ±.30000000000000000000000000000000000000.000, ±.37500000000000000000000000000000000000.000, ±.45000000000000000000000000000000000000.000, ±.56250000000000000000000000000000000000.000, ±.70000000000000000000000000000000000000.000, ±.87500000000000000000000000000000000000.000, ±.112500000000000000000000000000000000000.000, ±.150000000000000000000000000000000000000.000, ±.187500000000000000000000000000000000000.000, ±.237500000000000000000000000000000000000.000, ±.300000000000000000000000000000000000000.000, ±.375000000000000000000000000000000000000.000, ±.450000000000000000000000000000000000000.000, ±.562500000000000000000000000000000000000.000, ±.700000000000000000000000000000000000000.000, ±.875000000000000000000000000000000000000.000, ±.112500000000

版本	ECO	编制	日期	批准	日期
D	0025529	J.M.RAMIREZ	04-23-2012	R.RASCON	04-23-2012



ELECTRICAL DATA:

MODEL NO.: B42A96A01
 CUST. P/N: []
 HP: 1/6
 ROT.: CCWLE
 RPM: 1050/3 SPD
 TYPE: FE
 FRAME: 42Y
 VOLTS: 115
 PH: 1
 AMPS: 6.3
 HZ: 60
 INS.: B
 AMB.: 40°C
 DUTY: AIR OVER
 CAP.: ---
 CSA LOGO
 UL LOGO
 THERMALLY PROTECTED TYPE C



	11.00/13.00 [279.4/330.2]	
	25.00/27.00 [635.0/685.8]	.50 [12.7]
	25.00/27.00 [635.0/685.8]	.50 [12.7]
	25.00/27.00 [635.0/685.8]	.50 [12.7]
	25.00/27.00 [635.0/685.8]	.50 [12.7]

				CSA			
	FILE #	CCN #	FILE #	CLASS #			
C32337	17.99 OZ. FT.	0443925B	E46412	PRGY2	LR43341	4211-01	

形位公差	除另有说明外，所有尺寸均以英寸表示。
□ 平面度	提供技术支持。联系 A.O. SMITH
— 直线度	未收到任何订单，恕不发货。
∠ 倾斜度	应用环境的数据，电机的适用性
⊥ 垂直度	由客户自行决定。
∥ 平行度	英寸 0.020 毫米 0.5
○ 圆度	表面粗糙度
⊘ 圆柱度	英寸 0.020 毫米 0.5
△ 内圆角	表面粗糙度
△ 面轮廓度	英寸 0.020 毫米 0.5
△ 线轮廓度	表面粗糙度
∧ 圆跳动	英寸 0.020 毫米 0.5
⊕ 位置度	表面粗糙度
⊙ 同轴度	英寸 0.020 毫米 0.5
≡ 对称度	表面粗糙度

ASME Y14.5M 1994
 米制尺寸显示在 []

除另有说明外，所有尺寸均以英寸表示。
 提供技术支持。联系 A.O. SMITH
 未收到任何订单，恕不发货。
 应用环境的数据，电机的适用性
 由客户自行决定。
 英寸 0.020 毫米 0.5
 表面粗糙度
 英寸 0.020 毫米 0.5
 表面粗糙度
 英寸 0.020 毫米 0.5
 表面粗糙度
 英寸 0.020 毫米 0.5

绘图:	S.RECKERS	08-21-2004
批准:	G.PIAT	09-09-2004
第三角投影		图纸格式发布日期 11-11-2011 图纸格式版本 G
机密: 本图纸及相关信息所有权归REGAL-BELOIT CORPORATION。未经REGAL-BELOIT CORPORATION书面授权，不得泄露、复制或传播作其他用途。一版权所有		

名称	MODEL-RFHP-42FR OUTLINE
图幅	C
图号	11674-037
比例	NONE
页号	1