

PRODUCT INFORMATION PACKET



Model No: 9708

Catalog No: 9708

Fan Coil & Air Conditioner Motor, 1/10 HP, 1 Ph, 60 Hz, 115 V, 1625 RPM, 3 Speed, 42 Frame, OAO



Regal and Century are trademarks of Regal Rexnord Corporation or one of its affiliated companies.

©2023 Regal Rexnord Corporation, All Rights Reserved. MC017097E





Nameplate Specifications

Phase	1	Output HP	1/10 Hp
Output KW	0.07 kW	Voltage	115 V
Speed	1625 rpm	Service Factor	1
Frame	42Y	Enclosure	Open Air Over
Thermal Protection	Automatic	Ambient Temperature	40 °C
Frequency	60 Hz	Current	2.1 A
Duty	Air Over	Insulation Class	B
UL	Recognized	CSA	Y
CE	N	Number of Speeds	3

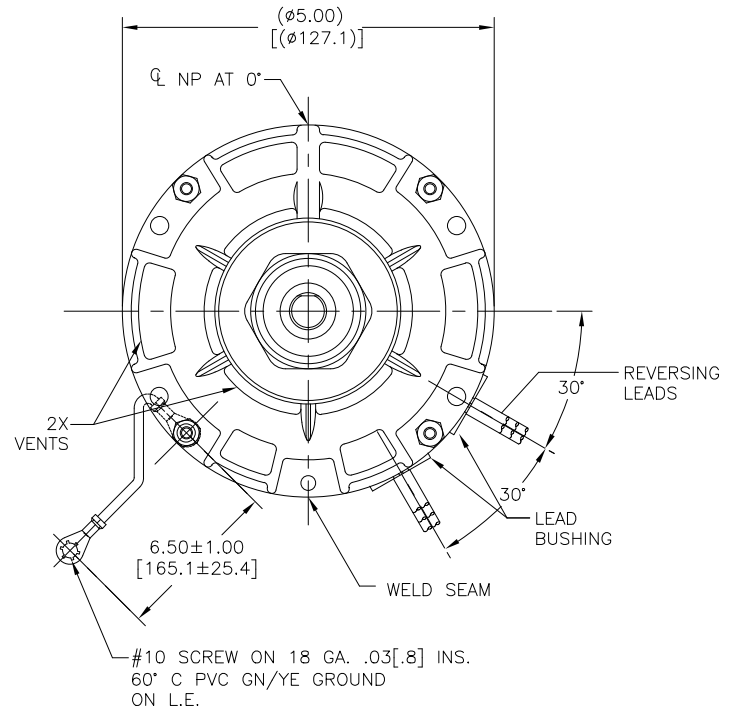
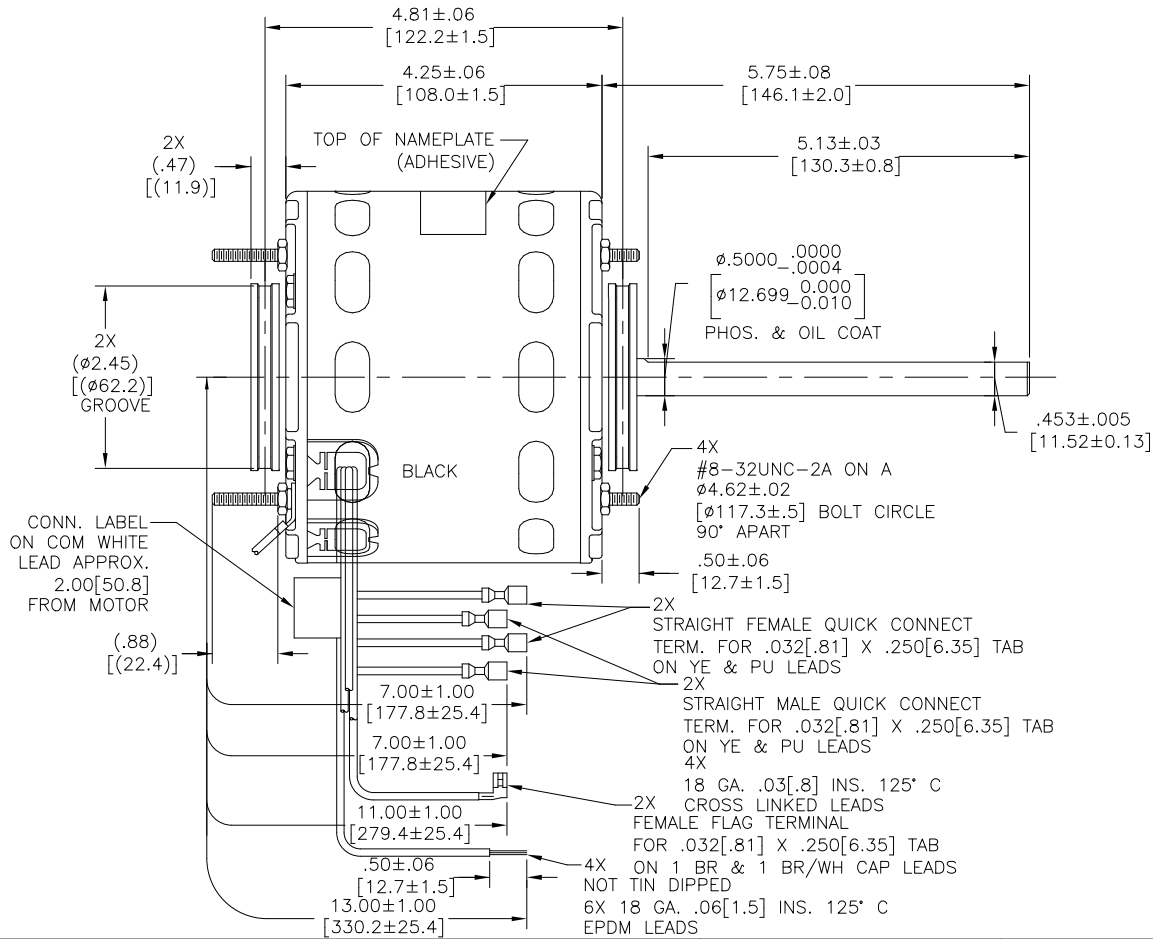
Technical Specifications

Electrical Type	Permanent Split Capacitor	Starting Method	Across The Line
Poles	4	Rotation	Reversible
Mounting	Resilient Rings	Motor Orientation	Horizontal
Drive End Bearing	Sleeve	Opp Drive End Bearing	Sleeve
Frame Material	Rolled Steel	Shaft Type	Flat
Overall Length	7.74 in	Frame Length	3.67 in
Shaft Diameter	0.500 in	Shaft Extension	5.8 in
Outline Drawing	9708-S01		

This is an uncontrolled document once printed or downloaded and is subject to change without notice. Date Created:06/28/2023

CUSTOMER IS SOLELY RESPONSIBLE FOR MOTOR PERFORMANCE AND SUITABILITY IN APPLICATIONS FOR CUSTOMER'S USES.

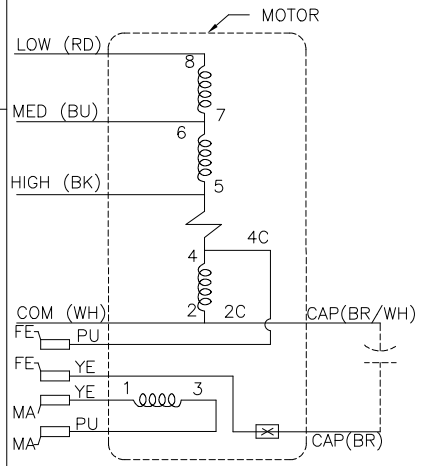
END PLAY .005[.13] MIN - .040[1.02] MAX
MAX. SHAFT RUN OUT .001[.02] PER INCH
MAX. RUN OUT NOT TO EXCEED .010[.25]



ELECTRICALLY PER SAMPLE 0442638C CURVE C32439

SCHEMATIC-234

ROT.: - REVERSIBLE



NAMEPLATE DATA:

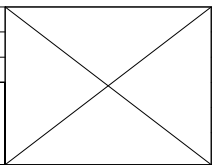
Century Tipp City, OH THERMALLY PROTECTED **SP** **AL**

SER. DATE & P0# PLT LTR MOD DE2D206N' 9708
VOLTS 115 HZ 60 AMPS 2.1
RPM 1625 SP3 PH1 CAP 5 MFD/370 VAC
INS CL B AMB40°C HP 1/10 CONT. A.O. ←ROT REV→
BRG SLV ASSEMBLED IN MEXICO

CONN. LABEL 63T7433-305

CCWLE	PLUG IN YELLOW LEAD TO PURPLE LEAD
CWLE	PLUG IN PURPLE LEAD TO PURPLE LEAD

DRAWING REVISION	REVISION BY	DATE
C	TRISK	6-22-2023
ECO	APPROVED BY	DATE
ECO-0226135	CHERYL	6-22-2023
ECO DESCRIPTION SEE ECO		
<small>COPYRIGHT REGAL BELOIT AMERICA, INC. ALL RIGHTS RESERVED. PROPRIETARY AND CONFIDENTIAL INFORMATION - THIS DOCUMENT IS THE PROPERTY OF REGAL BELOIT AMERICA, INC. (OWNER) AND CONTAINS OWNER'S PROPRIETARY INFORMATION. ANY REPRODUCTION OR OTHER USE WITHOUT THE WRITTEN PERMISSION OF REGAL BELOIT AMERICA, INC. IS STRICTLY PROHIBITED. BY RECEIVING IT, TO AGREE THAT IT, AND/OR ANY PART OF IT, SHALL NOT BE DISCLOSED TO ANY PERSON, CORPORATION OR OTHER ENTITY, DUPLICATED, AND/OR USED, EXCEPT AS EXPRESSLY APPROVED IN WRITING IN ADVANCE BY OWNER. THIS DOCUMENT SHALL BE RETURNED TO OWNER UPON REQUEST. IT MAY BE SUBJECT TO CERTAIN RESTRICTIONS UNDER APPLICABLE EXPORT CONTROL LAWS AND REGULATIONS.</small>		



DRAWN BY:	JR
DATE:	12-02-2004
APPROVED BY:	GP
DATE:	12-02-2004
PROCESS/FINISH	
THIRD ANGLE PROJECTION	

REGAL ™ Regal Beloit America, Inc.	
DESCRIPTION	MODEL-RFHP-42FR OUTLINE
MATERIAL	-
SIZE	DWG NO 9708
SHEET	1