

PRODUCT INFORMATION PACKET



Model No: 9711
Catalog No: 9711

Fan Coil & Air Conditioner Motor, 1/10 HP, 1 Ph, 60/50 Hz, 230 V, 1075 RPM, 3 Speed, 42 Frame, OAO



Regal and Century are trademarks of Regal Rexnord Corporation or one of its affiliated companies.
©2022 Regal Rexnord Corporation, All Rights Reserved. MC017097E





Nameplate Specifications

Output HP	1/10 Hp	Output KW	0.07 kW
Frequency	50 Hz	Voltage	230 V
Current	0.7 A	Speed	1075 rpm
Service Factor	1	Phase	1
Duty	Air Over	Insulation Class	B
Frame	42Y	Enclosure	Open Air Over
Thermal Protection	Automatic	Ambient Temperature	40 °C
UL	Recognized	CSA	Y
CE	N	Number of Speeds	3

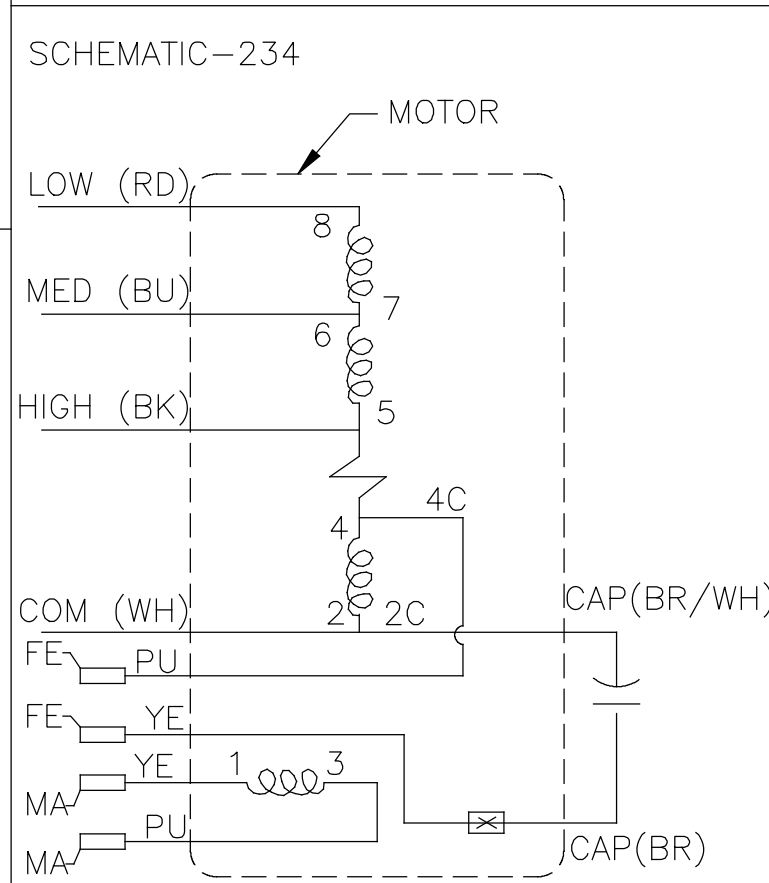
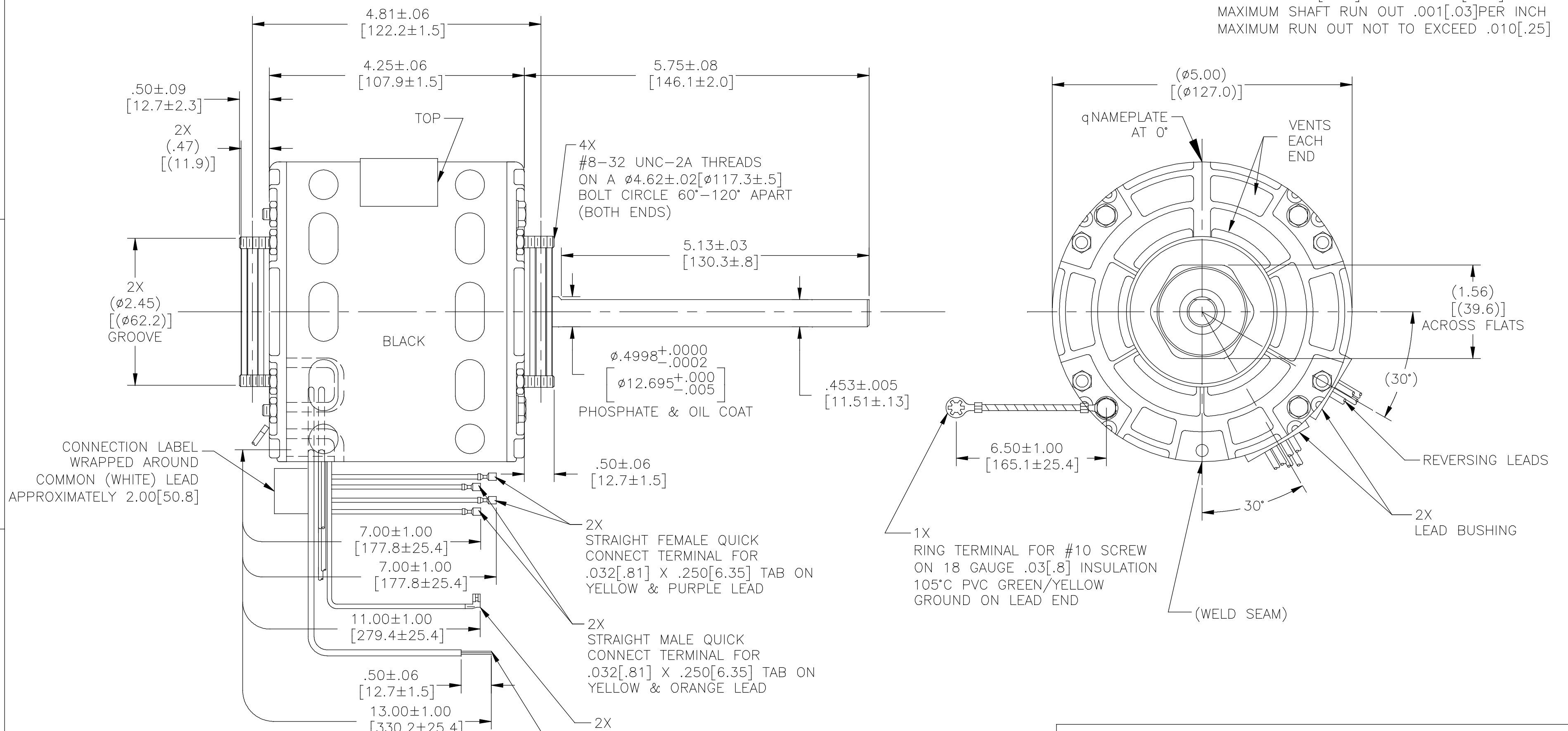
Technical Specifications

Electrical Type	Permanent Split Capacitor	Starting Method	Across The Line
Poles	6	Rotation	Reversible
Mounting	Resilient Rings	Motor Orientation	Horizontal
Drive End Bearing	Sleeve	Opp Drive End Bearing	Sleeve
Frame Material	Rolled Steel	Shaft Type	Flat
Overall Length	10.50 in	Frame Length	3.67 in
Shaft Diameter	0.500 in	Shaft Extension	5.8 in
Outline Drawing	DE3F7114-S01		

This is an uncontrolled document once printed or downloaded and is subject to change without notice. Date Created:11/29/2022

CUSTOMER IS SOLELY RESPONSIBLE FOR MOTOR PERFORMANCE AND SUITABILITY IN APPLICATIONS FOR CUSTOMER'S USE

ENDPLAY .005[0.13]MINIMUM-.040[1.02]MAXIMUM
 MAXIMUM SHAFT RUN OUT .001[.03]PER INCH
 MAXIMUM RUN OUT NOT TO EXCEED .010[.25]



ROT: REVERSIBLE

NAMEPLATE DATA:

Century Tipp City, OH THERMALLY PROTECTED

SER. DATE & PO# PLT LTR MOD DE3F114N' STK. NO. 9711
 VOLTS 230 HZ 60 AMPS .7
 RPM 1075/3 SPD PH1 CAP 5MFD/370VAC
 INS CL B AMB 40°C HP 1/10 AO ←ROT REV→
 BRG SLV ASSEMBLED IN MEXICO

DRAWING REVISION	REVISION BY	DATE
F	HANNA.ZOU	07-25-2018
ECO	APPROVED BY	DATE
ECO-0149422	DEXIAN.LI	07-25-2018
ECO DESCRIPTION SEE ECO		

COPYRIGHT REGAL BELOIT AMERICA, INC. ALL RIGHTS RESERVED. PROPRIETARY AND CONFIDENTIAL INFORMATION - THIS DOCUMENT IS THE PROPERTY OF REGAL BELOIT AMERICA, INC. (OWNER) AND CONTAINS OWNER'S PROPRIETARY INFORMATION. ANY PERSON, CORPORATION OR OTHER FIRM RECEIVING IT IS DEEMED, BY RECEIVING IT, TO AGREE THAT IT, AND/OR ANY PART OF IT, SHALL NOT BE DISCLOSED TO ANY PERSON, CORPORATION OR OTHER ENTITY, DUPLICATED, AND/OR USED, EXCEPT AS EXPRESSLY APPROVED IN WRITING IN ADVANCE BY OWNER. THIS DOCUMENT SHALL BE RETURNED TO OWNER UPON REQUEST. IT MAY BE SUBJECT TO CERTAIN RESTRICTIONS UNDER APPLICABLE EXPORT CONTROL LAWS AND REGULATIONS.

DRAWN BY: KGORDO	Regal Beloit America, Inc.
DATE: 09-29-2004	
APPROVED BY: GPLATT	DESCRIPTION MODEL-RFHP-42FR OUTLINE
DATE: -	MATERIAL -
PROCESS/FINISH -	SIZE DWG NO C DE3F7114
THIRD ANGLE PROJECTION	SHEET 1