

# PRODUCT INFORMATION PACKET

Model No: 9712

Catalog No: 9712

Fan and Blower Motor, 1/8 HP, 1 Ph, 60 Hz, 115 V, 1625 RPM, 3 Speed, 42 Frame, OAO



Regal and are trademarks of Regal Rexnord Corporation or one of its affiliated companies.  
©2022 Regal Rexnord Corporation, All Rights Reserved. MC017097E

**Nameplate Specifications**

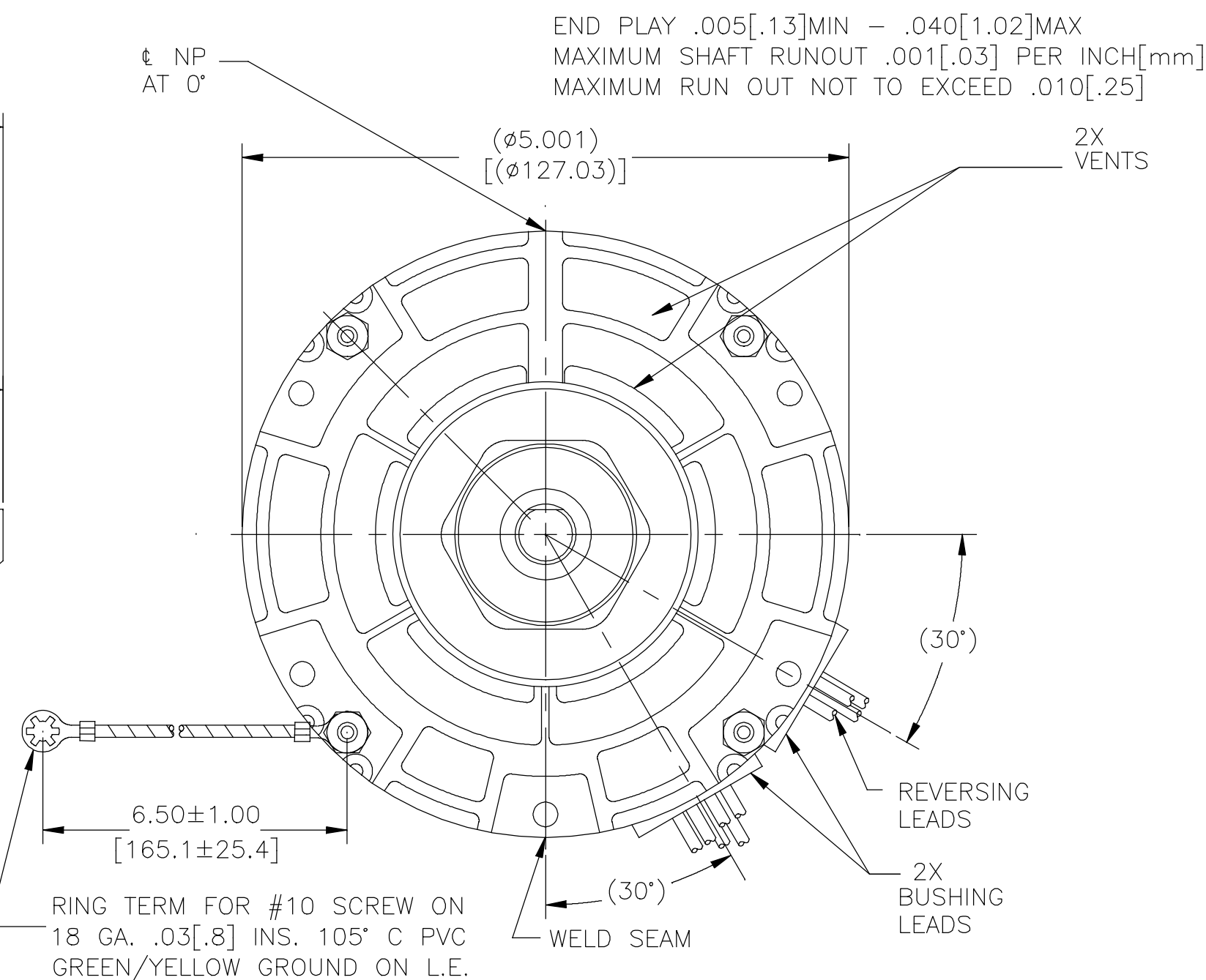
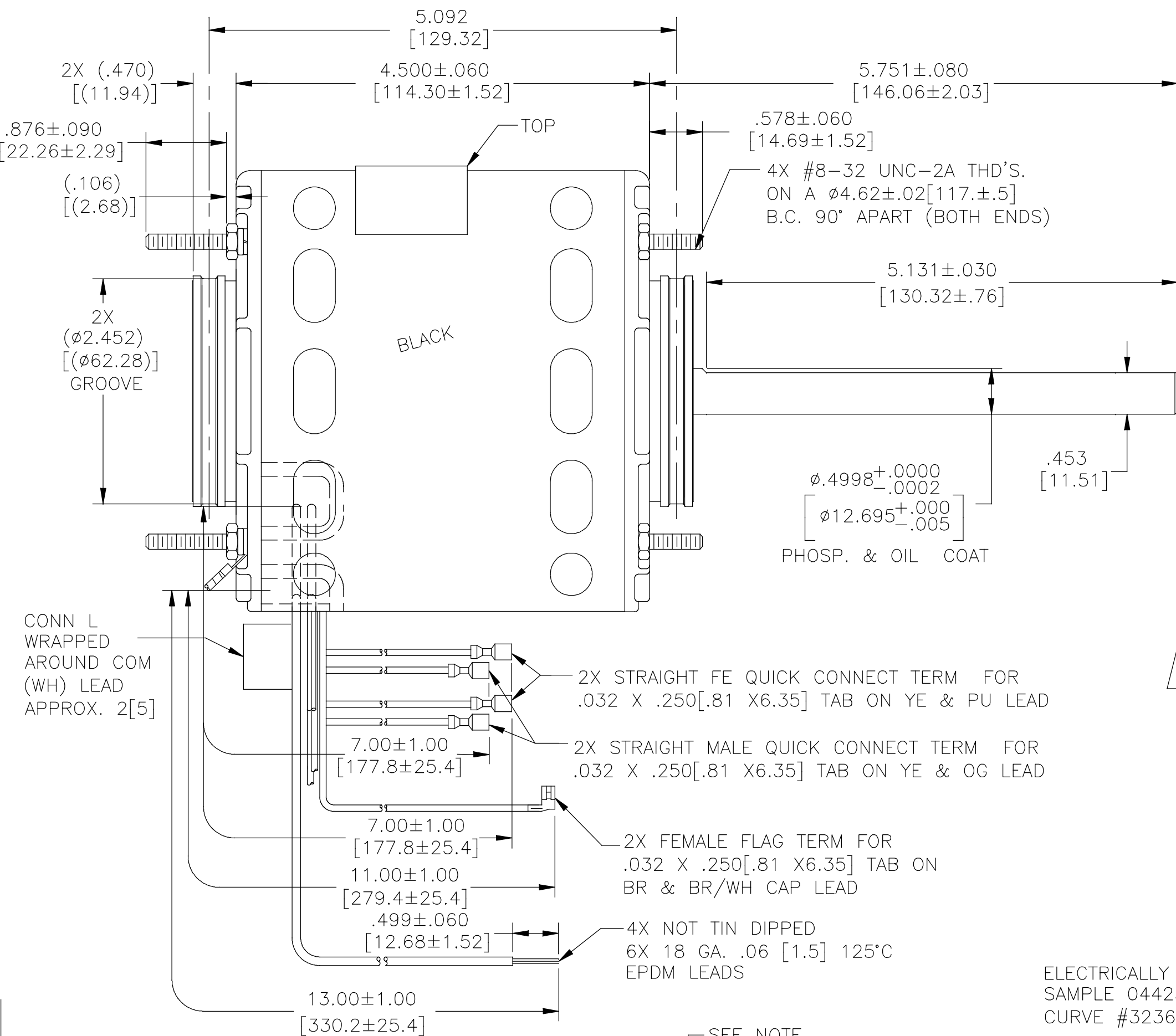
Output HP	<b>1/8 Hp</b>	Output KW	<b>0.10 kW</b>
Frequency	<b>60 Hz</b>	Voltage	<b>115 V</b>
Current	<b>1.9 A</b>	Speed	<b>1625 rpm</b>
Service Factor	<b>1</b>	Phase	<b>1</b>
Duty	<b>Air Over</b>	Insulation Class	<b>B</b>
Frame	<b>42Y</b>	Enclosure	<b>Open Air Over</b>
Thermal Protection	<b>Automatic</b>	Ambient Temperature	<b>40 °C</b>
UL	<b>Recognized</b>	CSA	<b>Y</b>
CE	<b>N</b>	Number of Speeds	<b>3</b>

**Technical Specifications**

Electrical Type	<b>Permanent Split Capacitor</b>	Starting Method	<b>Across The Line</b>
Poles	<b>4</b>	Rotation	<b>Reversible</b>
Mounting	<b>Extended Studs</b>	Motor Orientation	<b>Horizontal</b>
Drive End Bearing	<b>Sleeve</b>	Opp Drive End Bearing	<b>Sleeve</b>
Frame Material	<b>Rolled Steel</b>	Shaft Type	<b>Flat</b>
Overall Length	<b>11.31 in</b>	Frame Length	<b>3.92 in</b>
Shaft Diameter	<b>0.500 in</b>	Shaft Extension	<b>5.8 in</b>
Outline Drawing	<b>DE2E7220</b>		

This is an uncontrolled document once printed or downloaded and is subject to change without notice. Date Created:09/15/2022

CUSTOMER IS SOLELY RESPONSIBLE FOR MOTOR PERFORMANCE AND SUITABILITY IN APPLICATIONS FOR CUSTOMER'S USES.



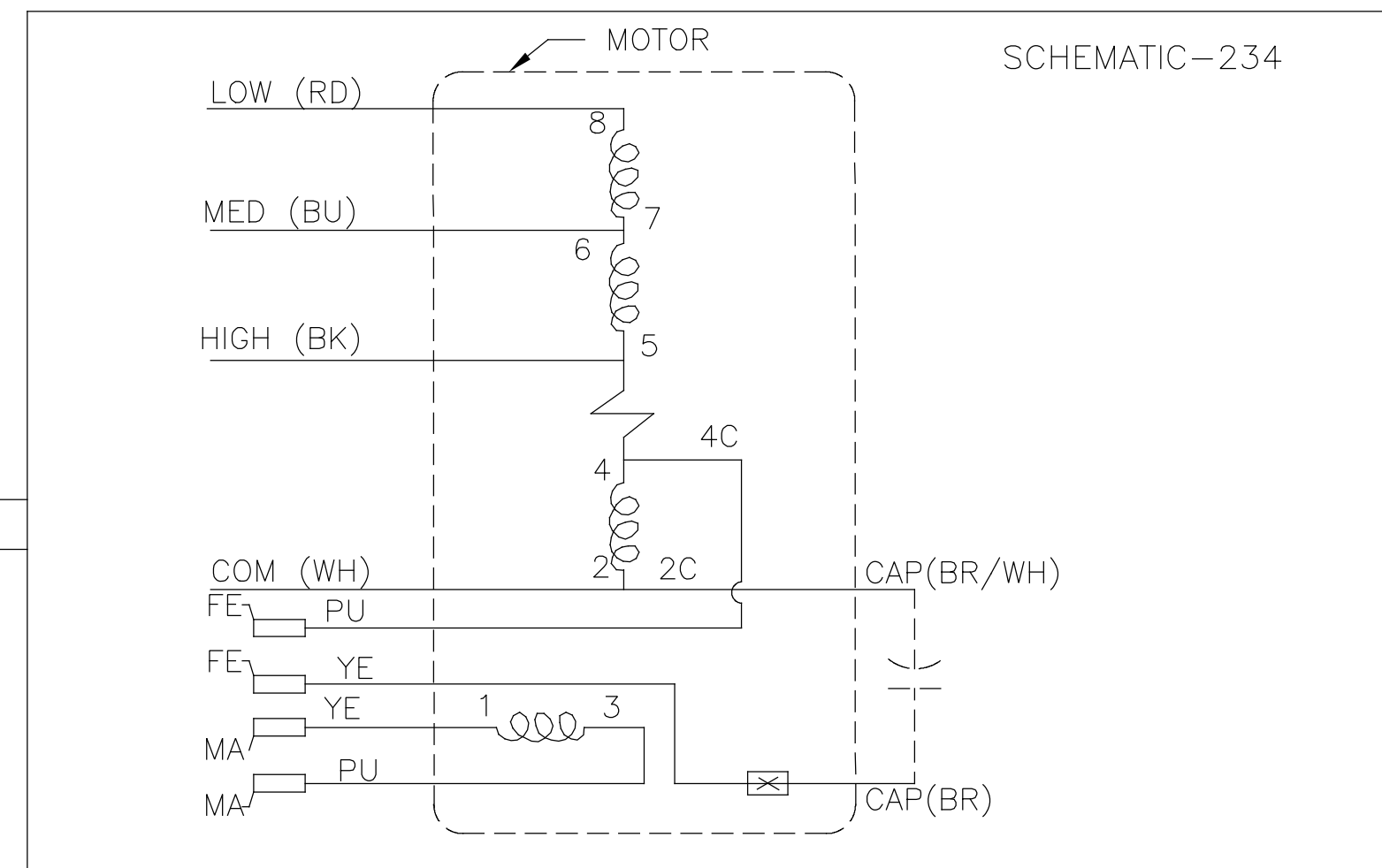
ROT.: REVERSIBLE  
NAMEPLATE DATA:

TIPP CITY, OHIO  
THERMALLY PROTECTED

SER. DATE & PO# PLT LTR MOD DE2E220N'  
VOLTS 115 HZ 60 AMPS 1.9  
RPM 1625 SP3 PH1 CAP 5MFD/370VAC  
INS CLB AMB 40C HP 1/8 AO ←ROT REV→  
BRG SLV ASSEMBLED IN MEXICO

CONN LABEL  
63T7433-305

CCWLE	PLUG IN YELLOW LEAD TO PURPLE LEAD
CWLE	PLUG IN PURPLE LEAD TO PURPLE LEAD



NOTE:  
DISTRIBUTION: CUST. P/N: 9712  
GRAINGER: CUST. P/N: 4UY16

DRAWING REVISION G	REVISION BY HANNA.ZOU	DATE 07-25-2018
ECO ECO-0149422	APPROVED BY DEXIAN.LI	DATE 07-25-2018
ECO DESCRIPTION SEE ECO		

COPYRIGHT REGAL BELOIT AMERICA, INC. ALL RIGHTS RESERVED. PROPRIETARY AND CONFIDENTIAL INFORMATION - THIS DOCUMENT IS THE PROPERTY OF REGAL BELOIT AMERICA, INC. (OWNER) AND CONTAINS OWNER'S PROPRIETARY INFORMATION. ANY PERSON, CORPORATION OR OTHER FIRM RECEIVING IT IS DEEMED, BY RECEIVING IT, TO AGREE THAT IT, AND/OR ANY PART OF IT, SHALL NOT BE DISCLOSED TO ANY PERSON, CORPORATION OR OTHER ENTITY, DUPLICATED, AND/OR USED, EXCEPT AS EXPRESSLY APPROVED IN WRITING IN ADVANCE BY OWNER. THIS DOCUMENT SHALL BE RETURNED TO OWNER UPON REQUEST. IT MAY BE SUBJECT TO CERTAIN RESTRICTIONS UNDER APPLICABLE EXPORT CONTROL LAWS AND REGULATIONS.

DRAWN BY: L.BERNAL	REGAL™ Regal Beloit America, Inc.
DATE: 10-17-2012	
APPROVED BY: A.BAUGHMAN	DESCRIPTION MODEL-RFHP-42FR OUTLINE
DATE: 10-17-2012	MATERIAL
PROCESS/FINISH	SIZE DWG NO C DE2E7220
THIRD ANGLE PROJECTION	SHEET 1