

# PRODUCT INFORMATION PACKET



Model No: 9714

Catalog No: 9714

Fan and Blower Motor, 1/6 HP, 1 Ph, 60 Hz, 115 V, 1625 RPM, 3 Speed, 42 Frame, OAO



Regal and Century are trademarks of Regal Rexnord Corporation or one of its affiliated companies.  
©2022 Regal Rexnord Corporation, All Rights Reserved. MC017097E





**Nameplate Specifications**

Output HP	1/6 Hp	Output KW	0.13 kW
Frequency	60 Hz	Voltage	115 V
Current	2.4 A	Speed	1625 rpm
Service Factor	1	Phase	1
Duty	Air Over	Insulation Class	B
Frame	42Y	Enclosure	Open Air Over
Thermal Protection	Automatic	Ambient Temperature	40 °C
UL	Recognized	CSA	Y
CE	N	Number of Speeds	3

**Technical Specifications**

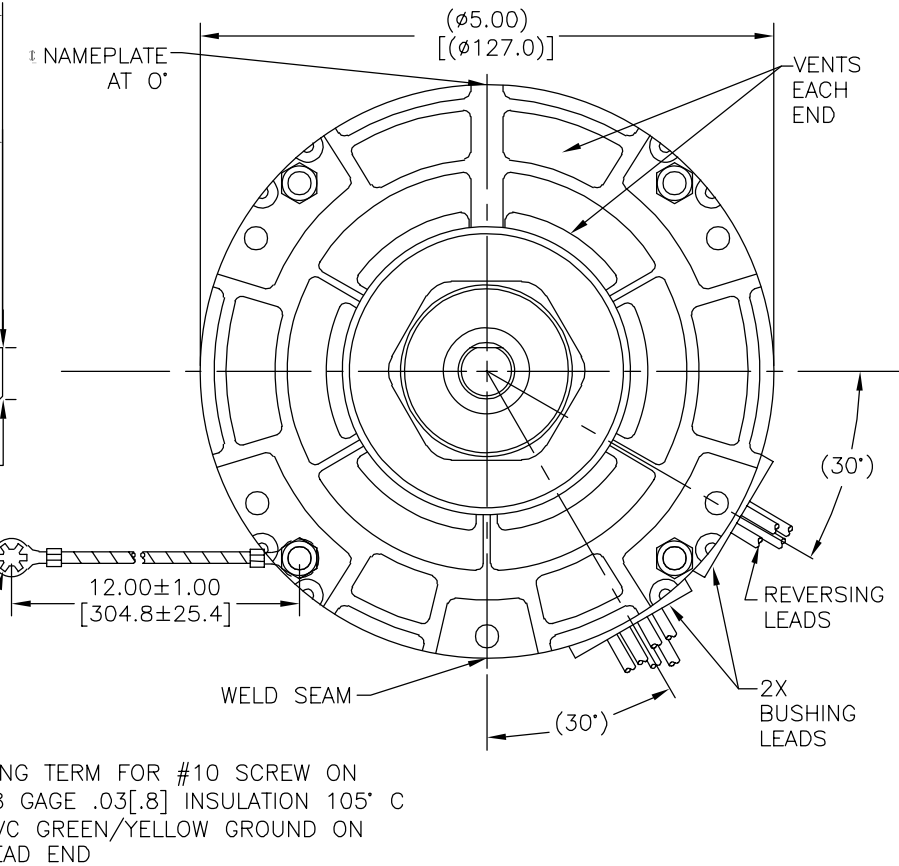
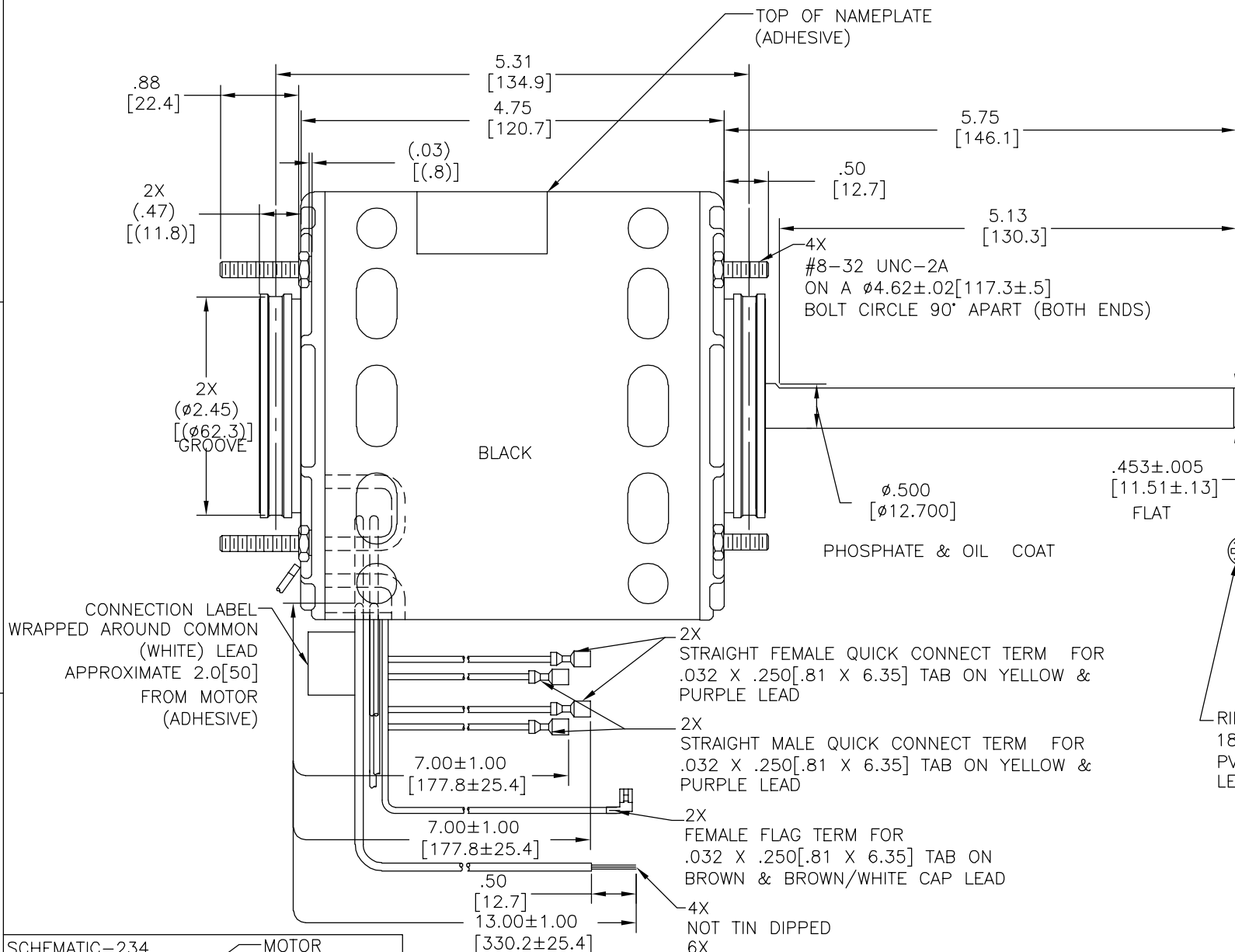
Electrical Type	Permanent Split Capacitor	Starting Method	Across The Line
Poles	4	Rotation	Reversible
Mounting	Resilient Rings	Motor Orientation	Horizontal
Drive End Bearing	Sleeve	Opp Drive End Bearing	Sleeve
Frame Material	Rolled Steel	Shaft Type	Flat
Overall Length	11.94 in	Frame Length	4.17 in
Shaft Diameter	0.500 in	Shaft Extension	5.8 in
Outline Drawing	9714-s01		

This is an uncontrolled document once printed or downloaded and is subject to change without notice. Date Created:11/29/2022

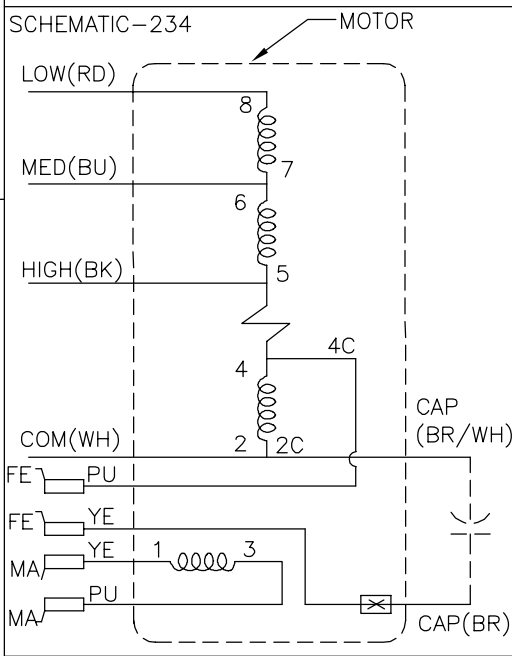
CUSTOMER IS SOLELY RESPONSIBLE FOR MOTOR PERFORMANCE AND SUITABILITY IN APPLICATIONS FOR CUSTOMER'S USES

REV	ECO	REV BY	DATE	APPD	DATE
C	0029019	I.ORTIZ	10-17-2012	M.AVILA	10-17-2012

END PLAY .005[.13] MINIMUM-.040[1.02] MAXIMUM  
 MAXIMUM SHAFT RUN OUT .001[.03] PER INCH  
 MAXIMUM RUN OUT NOT EXCEED .010[.25]



NOTE:  
 DISTRIBUTION: CUST. P/N: 9714  
 GRAINGER: CUST. P/N: 4UY18



CONNECTION LABEL  
 63T7433-107

CCWLE	PLUG IN YELLOW LEAD TO PURPLE LEAD
CWLE	PLUG IN PURPLE LEAD TO PURPLE LEAD

GEOMETRIC CHARACTERISTICS & SYMBOLS  
 □ FLATNESS  
 - STRAIGHTNESS  
 ∠ ANGULARITY  
 ⊥ PERPENDICULARITY (SQUARENESS)  
 // PARALLELISM  
 ○ ROUNDNESS (CIRCULARITY)  
 ∅ CYLINDRICITY  
 △ PROFILE OF ANY SURFACE  
 ∩ PROFILE OF ANY LINE  
 ↗ RUNOUT  
 ⊕ TRUE POSITION  
 ⊙ CONCENTRICITY  
 ≡ SYMMETRY

UNLESS OTHERWISE SPECIFIED DIM. TOLERANCES ARE AS FOLLOWS:  
 INCH X XX XXX XXXX  
 mm ±0.5 ±0.13 ±0.013  
 ANG. ±.50 DEG  
 REMOVE BURRS & BREAK SHARP EDGES:  
 INCH .003-.015 mm 0.1-0.4  
 CORNER FILLETS TO:  
 INCH .020 mm 0.5  
 MACHINE SURFACES:  
 INCH 125 mm 3.2

DR BY: G.ALVIDREZ 07-26-2011  
 APPD:  
 THIRD ANGLE PROJECTION  
 EDS DATE 11-11-2011  
 FORMAT REV H  
 CONFIDENTIAL: THIS DRAWING AND ITS INFORMATION ARE THE EXCLUSIVE AND CONFIDENTIAL PROPERTY OF REGAL-BELOIT CORPORATION AND ARE NOT TO BE DISCLOSED, DUPLICATED, DISTRIBUTED OR OTHERWISE USED WITHOUT THE WRITTEN CONSENT OF REGAL-BELOIT CORPORATION.  
 -ALL RIGHTS RESERVED.

ROT: REVERSIBLE

NAMEPLATE DATA:  
**Century** Tipp City, OH THERMALLY PROTECTED  
 SER. DATE & PO# PLT LTR MOD DE2G130N' STK. NO. SEE NOTE  
 VOLTS 115 HZ 60 AMPS 1.9  
 RPM 1625 SP3 PH1 CAP 5MFD/370VAC  
 INS CL B AMB40°C HP 1/6 AO ← ROT REV →  
 BRG SLV ASSEMBLED IN MEXICO

**REGAL REGAL-BELOIT CORPORATION**

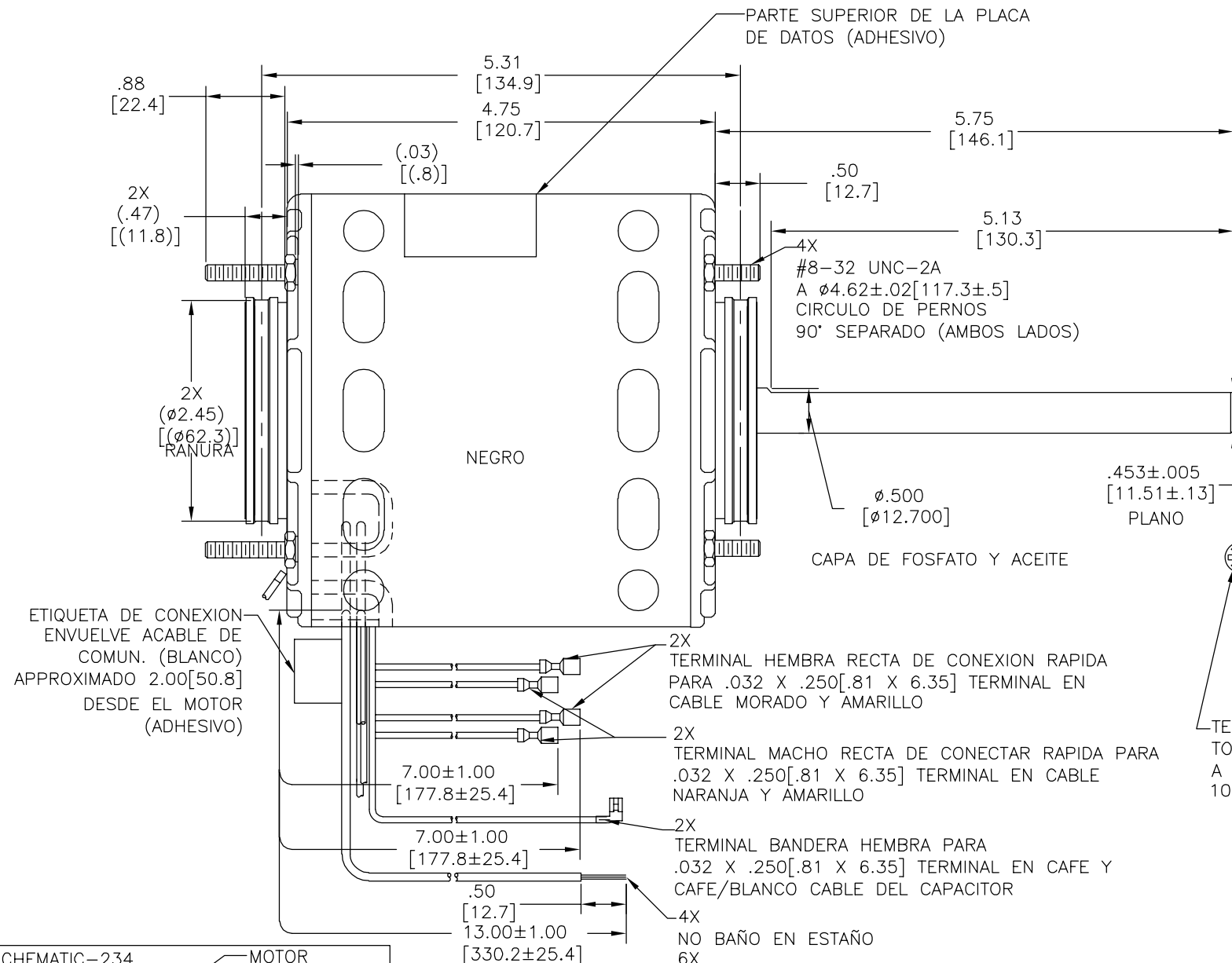
DESCRIPTION: MODEL-RFHP-42FR OUTLINE

SIZE: C DWG NO: 9714

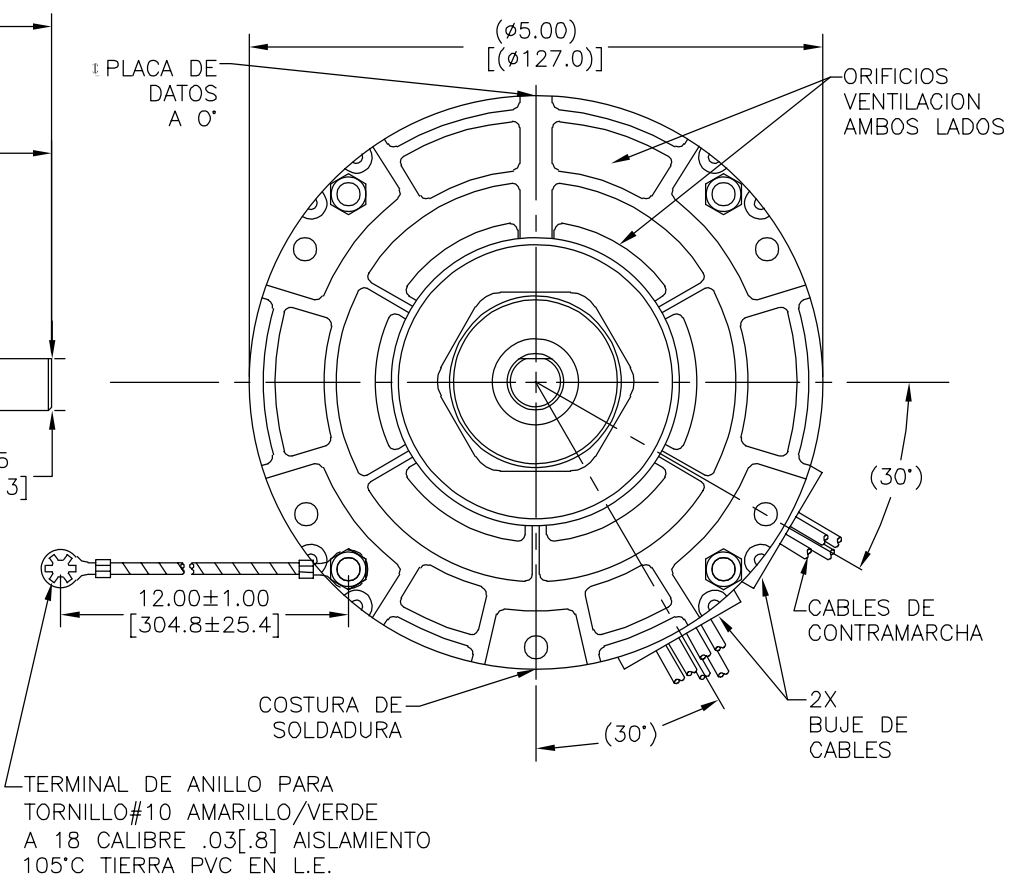
SCALE: NONE SHEET: 1

EL CLIENTE ES UNICAMENTE RESPONSABLE POR EL DESEMPEÑO DEL MOTOR Y APLICACIONES APROPIADAS PARA USO DE CLIENTE

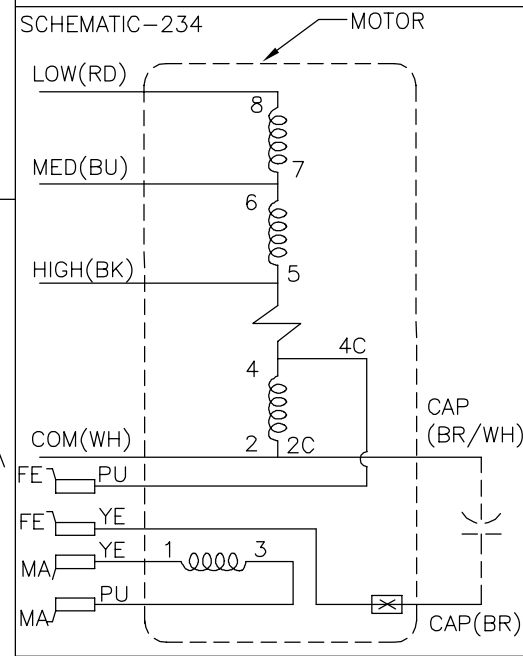
REVISION:	ECO	REVISADO POR:	FECHA:	APROBADO POR:	FECHA:
C	0029019	I.ORTIZ	10-17-2012	M.AVILA	10-17-2012



JUEGO AXIAL .005[.13] MINIMO-.040[1.02] MAXIMO  
 OSCILAMIENTO MAXIMO EN FLECHA .001[.03] POR PULGADA  
 OSCILAMIENTO MAXIMO NO EXCEDERA DE .010[.25]



NOTA:  
 DISTRIBUCION: NUMERO DE PARTE CLIENTE: 9714  
 GRAINGER: NUMERO DE PARTE CLIENTE: 4UY18



ETIQUETA DE CONEXION  
 63T7433-107

CCWLE	INSERTAR CABLE AMARILLO A CABLE MORADO
CWLE	INSERTAR CABLE MORADO A CABLE MORADO

CARACTERISTICAS DE GEOMETRIA Y SIMBOLOS  
 ▽ PLANICIDAD  
 - RECTITUD  
 < ANGULARIDAD  
 ⊥ PERPENDICULARIDAD (A ESCUADRA)  
 // PARALELISMO  
 ○ REDONDEZ (CIRCULARIDAD)  
 ∅ CILINDRICIDAD  
 △ PERFIL DE CUALQUIER SUPERFICIE  
 ∇ PERFIL DE CUALQUIER LINEA  
 † VARIACION  
 ⊕ POSICION REAL  
 ⊙ CONCENTRICIDAD  
 = SIMETRIA

A MENOS QUE SE ESPECIFIQUE DE OTRA MANERA, LAS TOLERANCIAS DE LAS DIMS; SON LAS SIGUIENTES:  
 PULG ±.1 ±.02 ±.005 ±.0005  
 mm ±0.5 ±0.13 ±0.013  
 ANG. ±.50 GRADOS  
 ELIMINAR REBABAS Y ORILLAS FILOSAS DEL BORDE.  
 PULG .003-.015 mm 0.1-0.4  
 FILETEAR ESQUINA: PULG .020 mm 0.5  
 MAQUINAR SUPERFICIES  
 PULG 125 mm 3.2

DIBUJADO POR: G.ALVIDREZ 07-26-2011  
 APROBADO POR:  
 TERCER ANGULO DE PROYECCION  
 FECHA EDS: 11-11-2011  
 REV. FORMATO: H  
 CONFIDENCIAL: ESTE DIBUJO Y SU INFORMACION SON PROPIEDAD DE USO EXCLUSIVO Y CONFIDENCIAL DE REGAL-BELOIT CORPORATION. Y NO DEBERAN SER REVELADOS, DUPLICADOS, DISTRIBUIDOS O USARSE DE OTRA MANERA SIN EL CONSENTIMIENTO ESCRITO DE REGAL-BELOIT CORPORATION. -TODOS LOS DERECHOS RESERVADOS.

ROT: REVERSIBLE

PLACA DE DATOS:  
**Century** Tipp City, OH THERMALLY PROTECTED

SER. DATE & PO# PLT LTR MOD DE2G130N' STK. NO. SEE NOTE  
 VOLTS 115 HZ 60 AMPS 1.9  
 RPM 1625 SP3 PH1 CAP 5MFD/370VAC  
 INS CL B AMB40°C HP 1/6 AO ← ROT REV →  
 BRG SLV ASSEMBLED IN MEXICO

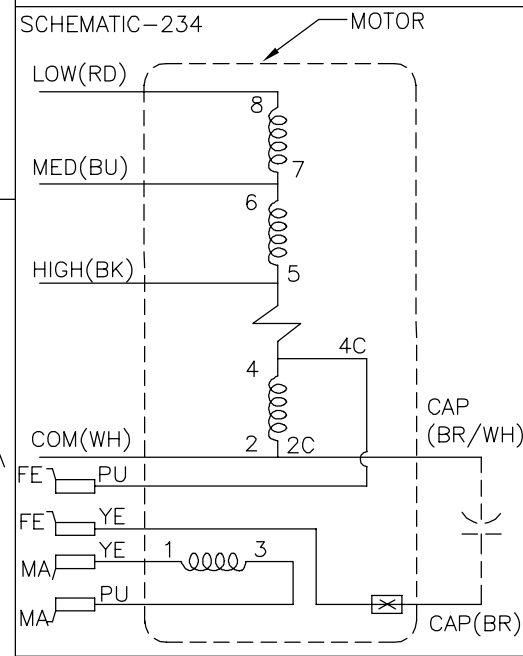
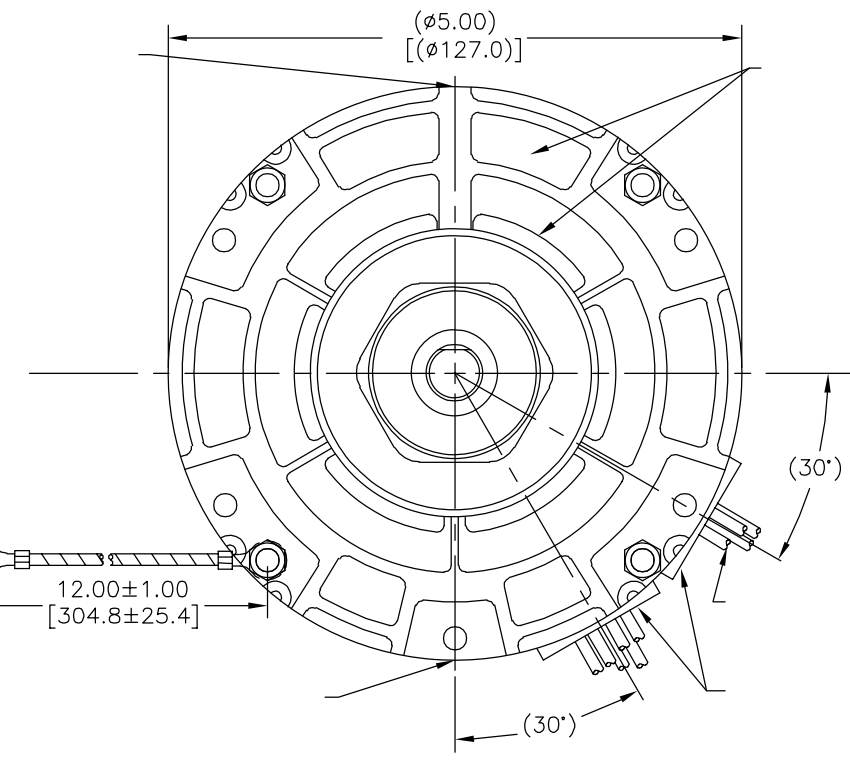
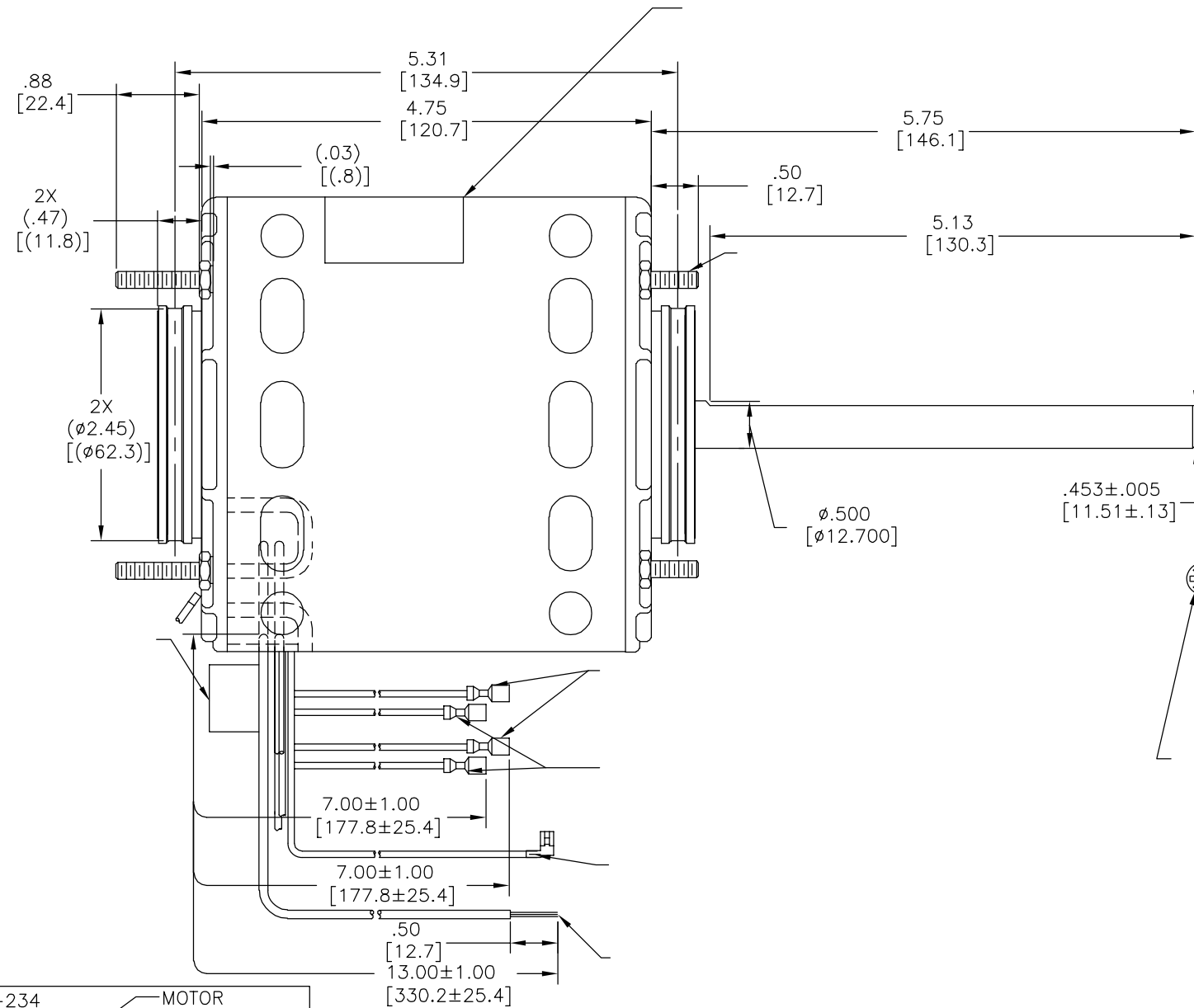
**REGAL REGAL-BELOIT CORPORATION**

DESCRIPCION: MODEL-RFHP-42FR OUTLINE

TAMAÑO: C NUMERO DE DIBUJO: 9714

ESCALA: NONE HOJA: 1

版本	ECO	编制	日期	批准	日期
C	0029019	I.ORTIZ	10-17-2012	M.AVILA	10-17-2012



CCWLE	
CWLE	

- 形位公差  
 □ 平面度  
 — 直线度  
 < 倾斜度  
 ⊥ 垂直度  
 // 平行度  
 ○ 圆度  
 ⊙ 圆柱度  
 ⌒ 面轮廓度  
 ⌒ 线轮廓度  
 ⌒ 圆跳动  
 ⊕ 位置度  
 ⊕ 同轴度  
 ≡ 对称度

除另有注明  
 尺寸公差如下:  
 英寸 X XX XXX XXXX  
 毫米 ±.1 ±.02 ±.005 ±.0005  
 毫米 ±0.5 ±0.13 ±0.013  
 角度 ±.50 度  
 清理毛刺和尖棱  
 英寸 .003-.015 毫米 0.1-0.4  
 内圆角  
 英寸 .020 毫米 0.5  
 表面粗糙度  
 英制 125 米制 3.2  
 米制尺寸显示在 L ]

ASME Y14.5M 1994

ROT: REVERSIBLE

**Century** Tipp City, OH  
 THERMALLY PROTECTED

SER. DATE & PO# PLT LTR MOD DE2G130N' STK. NO. SEE NOTE  
 VOLTS 115 HZ 60 AMPS 1.9  
 RPM 1625 SP3 PH1 CAP 5MFD/370VAC  
 INS CL B AMB40°C HP 1/6 AO ← ROT REV →  
 BRG SLV ASSEMBLED IN MEXICO

绘图: G.ALVIDREZ 07-26-2011  
 批准:  
 第三角投影  
 机密: 本图纸及相关信息所有权归REGAL-BELOIT CORPORATION  
 未经REGAL-BELOIT CORPORATION书面授权, 不得泄露、  
 复制、传播或作其他用途。—版权所有

**REGAL REGAL-BELOIT CORPORATION**

名称: MODEL-RFHP-42FR  
 OUTLINE  
 图幅: C 图号: 9714  
 比例: NONE 页号: 1