

# PRODUCT INFORMATION PACKET



Model No: 9716

Catalog No: 9716

Fan and Blower Motor, 1/4 HP, 1 Ph, 60 Hz, 115 V, 1625 RPM, 3 Speed, 42 Frame, OAO



Regal and Century are trademarks of Regal Rexnord Corporation or one of its affiliated companies.

©2022 Regal Rexnord Corporation, All Rights Reserved. MC017097E





**Nameplate Specifications**

Output HP	1/4 Hp	Output KW	0.19 kW
Frequency	60 Hz	Voltage	115 V
Current	4 A	Speed	1625 rpm
Service Factor	1	Phase	1
Duty	Air Over	Insulation Class	B
Frame	42Y	Enclosure	Open Air Over
Thermal Protection	Automatic	Ambient Temperature	40 °C
UL	Recognized	CSA	Y
CE	N	Number of Speeds	3

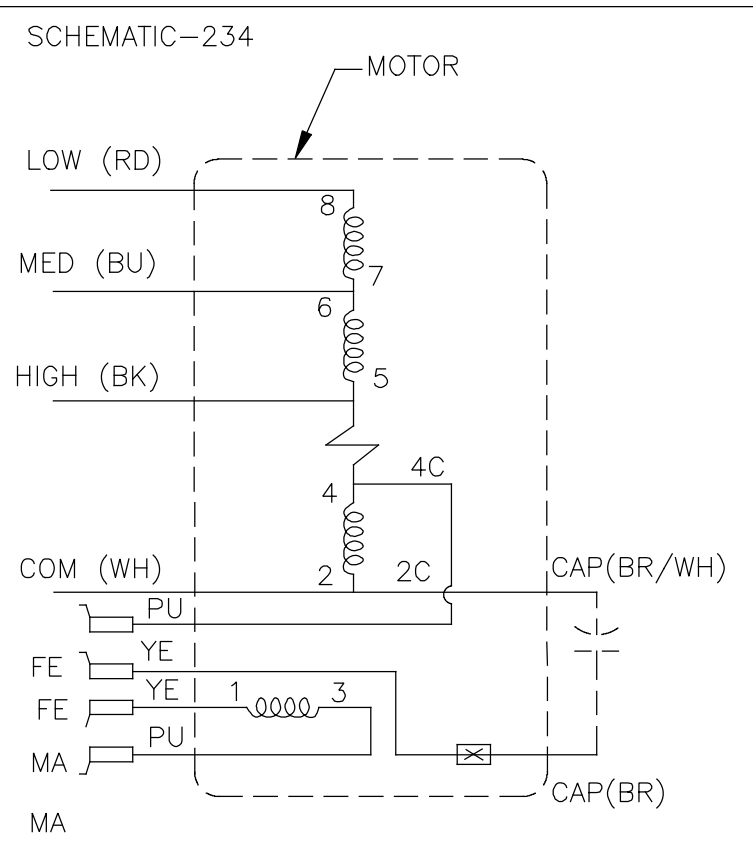
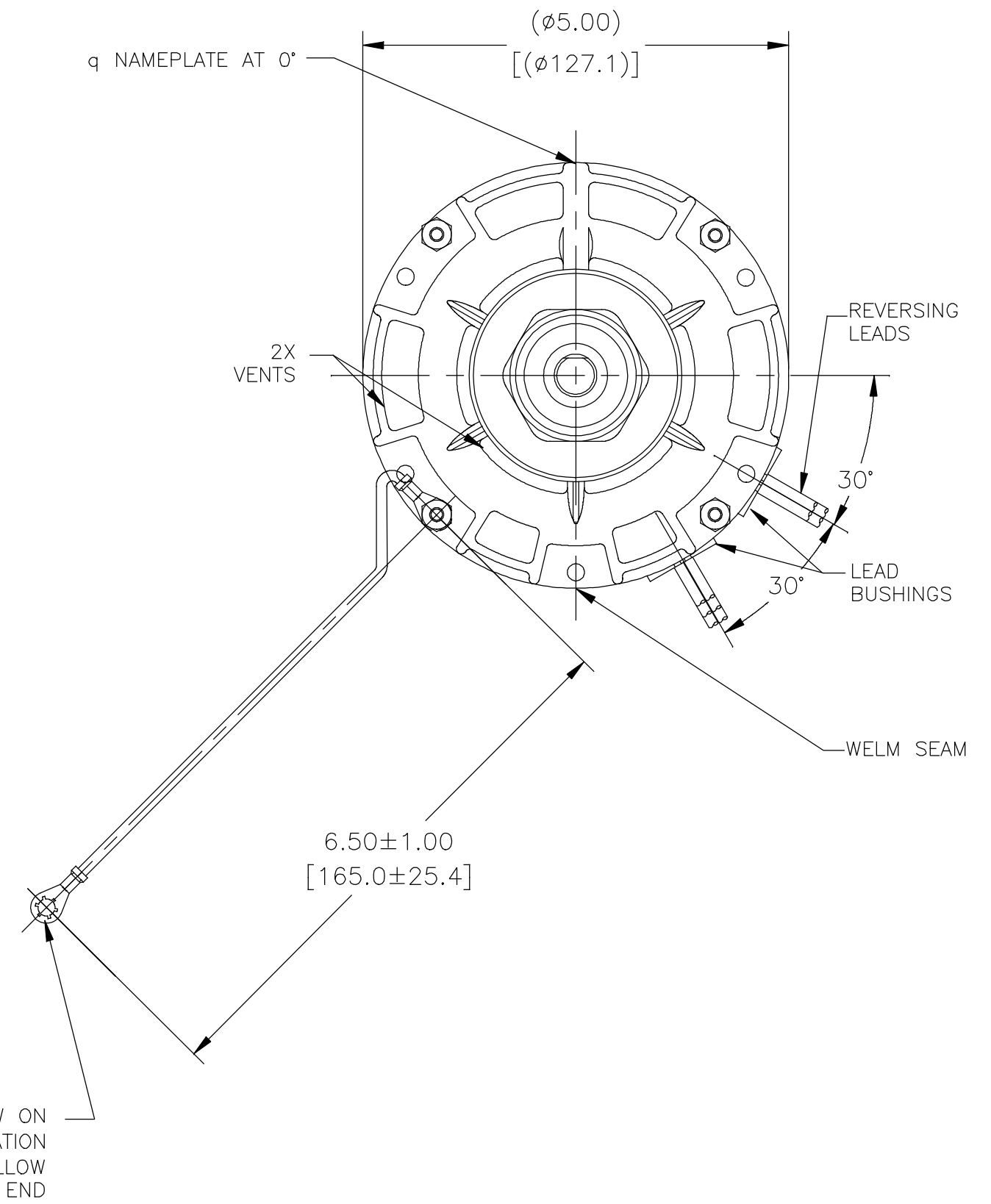
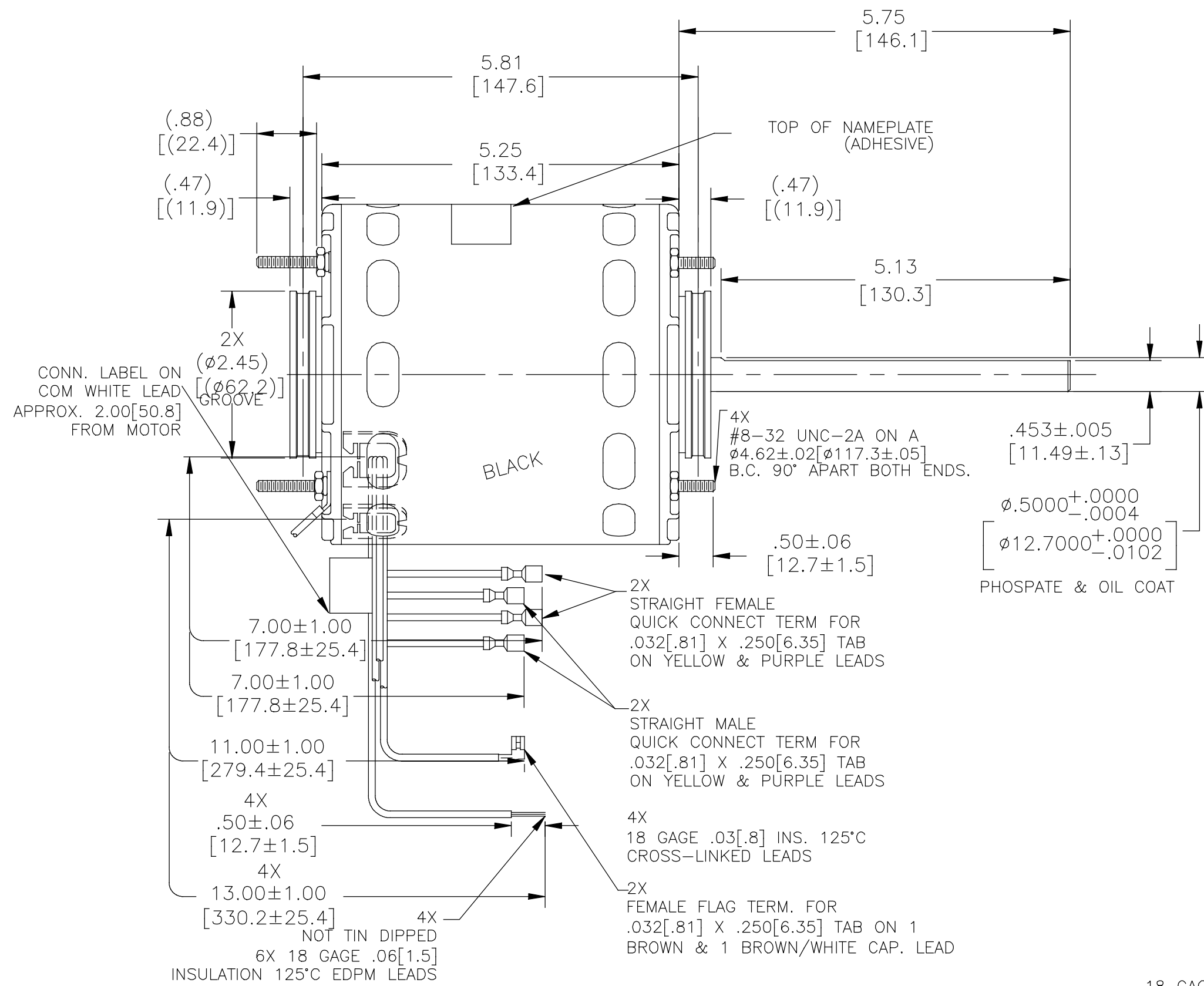
**Technical Specifications**

Electrical Type	Permanent Split Capacitor	Starting Method	Across The Line
Poles	4	Rotation	Reversible
Mounting	Resilient Rings	Motor Orientation	Horizontal
Drive End Bearing	Sleeve	Opp Drive End Bearing	Sleeve
Frame Material	Rolled Steel	Shaft Type	Flat
Overall Length	12.44 in	Frame Length	4.67 in
Shaft Diameter	0.500 in	Shaft Extension	5.8 in
Outline Drawing	9716-s01		

This is an uncontrolled document once printed or downloaded and is subject to change without notice. Date Created:11/29/2022

CUSTOMER IS SOLELY RESPONSIBLE FOR MOTOR PERFORMANCE AND SUITABILITY IN APPLICATIONS FOR CUSTOMER'S USES

END PLAY .005[.13] MINIMUM-.040 [1.02] MAXIMUM  
 MAXIMUM SHAFT RUN OUT .001[.03] PER INCHES  
 MAXIMUM RUN OUT NOT EXCEED .010[.25]



NOTE:  
 1. DISTRIBUTION PART NUMBER: 9716  
 GRAINGER PART NUMBER: 4UY20

CCWLE	PLUG IN YELLOW LEAD TO PURPLE LEAD
CWLE	PLUG IN PURPLE LEAD TO PURPLE LEAD

CONNECTION LABEL  
 63T7433-305

ROT: REVERSIBLE

NAMEPLATE DATA:



Tipp City, OH  
 THERMALLY PROTECTED



SER. DATE & PO# PLT LTR MOD DE2F107N' [ ]  
 VOLTS 115 HZ 60 AMPS 4.0  
 RPM 1625 SP3 PH1 CAP 7.5 MFD/370 VAC  
 INS CL B AMB 40°C HP 1/4 CONT A.0  
 BRG SLV ASSEMBLED IN MEXICO

DRAWING REVISION	REVISION BY	DATE
B	HANNA.ZOU	07-25-2018
ECO	APPROVED BY	DATE
ECO-0149422	DEXIAN.LI	07-25-2018
ECO DESCRIPTION		
SEE ECO		

COPYRIGHT REGAL BELOIT AMERICA, INC. ALL RIGHTS RESERVED. PROPRIETARY AND CONFIDENTIAL INFORMATION - THIS DOCUMENT IS THE PROPERTY OF REGAL BELOIT AMERICA, INC. (OWNER) AND CONTAINS OWNER'S PROPRIETARY INFORMATION. ANY PERSON, CORPORATION OR OTHER FIRM RECEIVING IT IS DEEMED, BY RECEIVING IT, TO AGREE THAT IT, AND/OR ANY PART OF IT, SHALL NOT BE DISCLOSED TO ANY PERSON, CORPORATION OR OTHER ENTITY, DUPLICATED, AND/OR USED, EXCEPT AS EXPRESSLY APPROVED IN WRITING IN ADVANCE BY OWNER. THIS DOCUMENT SHALL BE RETURNED TO OWNER UPON REQUEST. IT MAY BE SUBJECT TO CERTAIN RESTRICTIONS UNDER APPLICABLE EXPORT CONTROL LAWS AND REGULATIONS.

DRAWN BY:	E.V.	DATE:	10-28-2014	APPROVED BY:	F.PAYAN	DATE:	10-28-2014	REFERENCE:	
THIRD ANGLE PROJECTION		SIZE	DWG NO	MATERIAL		PROCESS/FINISH		SHEET	
		C	9716					1	



REGAL Regal Beloit America, Inc.  
 MODEL-RFHP-42FR  
 OUTLINE