

PRODUCT INFORMATION PACKET



Model No: 9717

Catalog No: 9717

Fan and Blower Motor, 1/4 HP, 1 Ph, 60 Hz, 115 V, 1075 RPM, 3 Speed, 42 Frame, OAO



Regal and Century are trademarks of Regal Rexnord Corporation or one of its affiliated companies.

©2025 Regal Rexnord Corporation, All Rights Reserved. MC017097E





Nameplate Specifications

Phase	1	Output HP	1/4 Hp
Output KW	0.19 kW	Voltage	115 V
Speed	1075 rpm	Service Factor	1.0
Frame	42Y	Enclosure	Open Air Over
Thermal Protection	Automatic	Ambient Temperature	40 °C
Frequency	60 Hz	Current	4.8 A
Duty	Air Over	Insulation Class	B
UL	Recognized	CSA	Y
CE	N	Number of Speeds	3

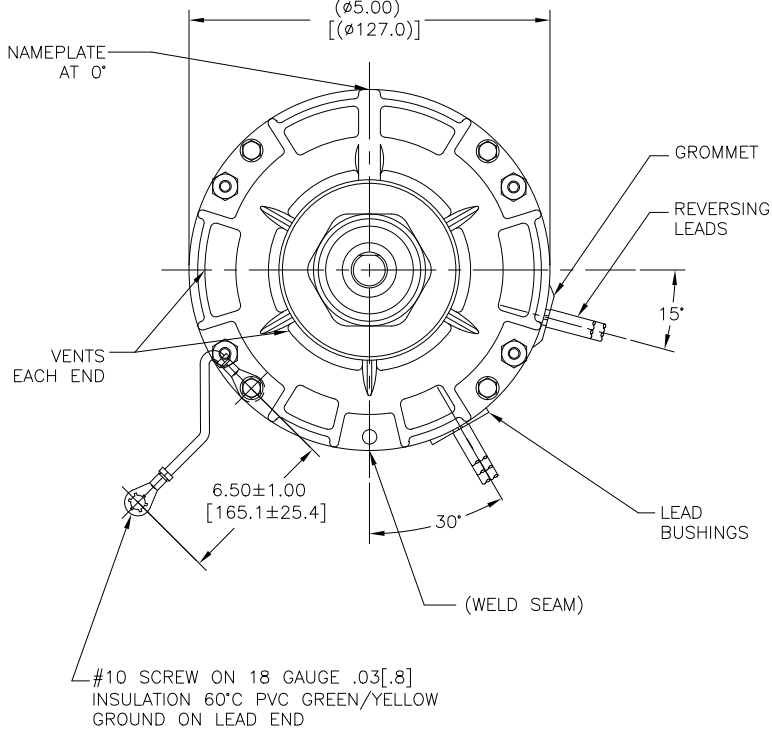
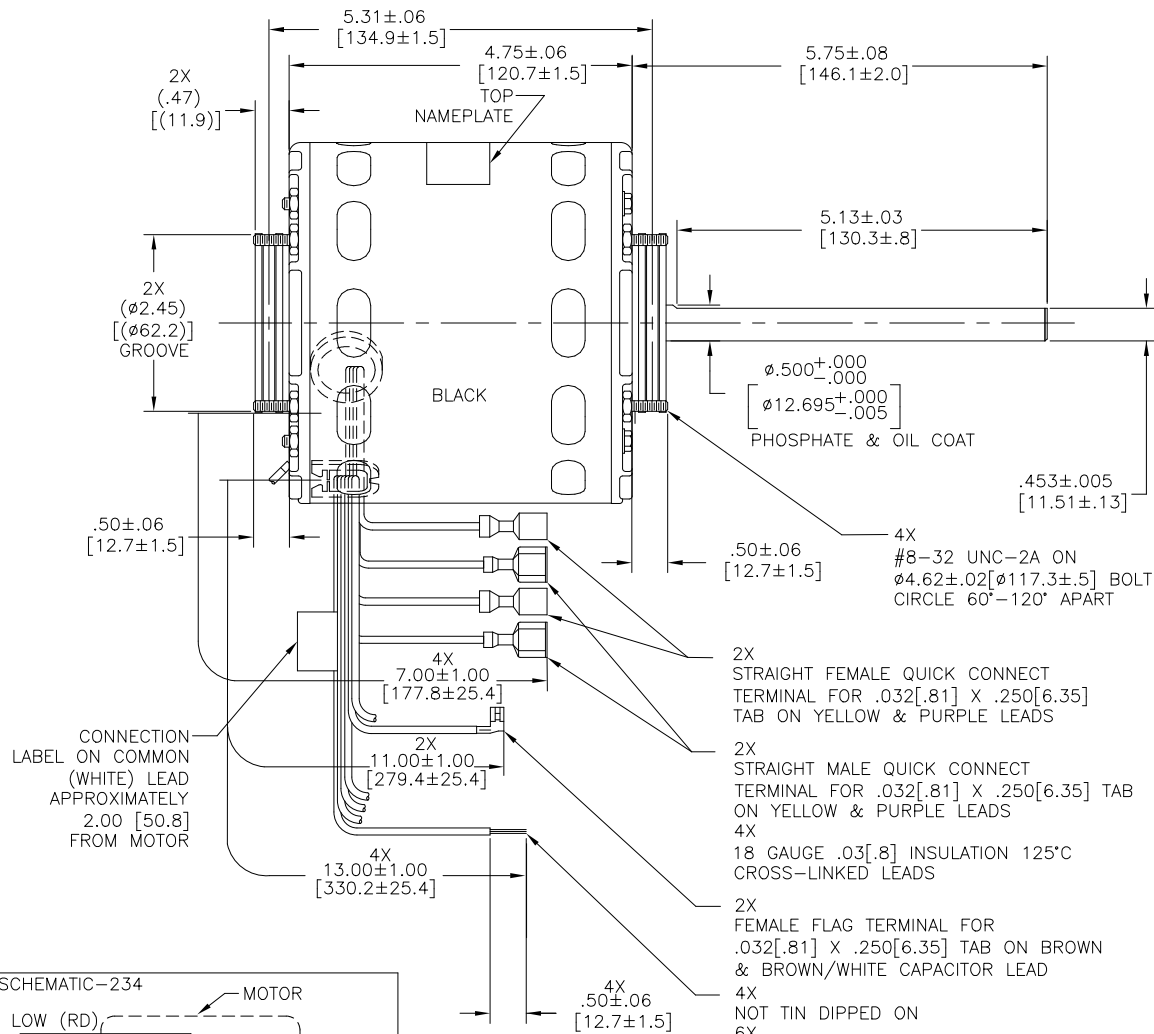
Technical Specifications

Electrical Type	Permanent Split Capacitor	Starting Method	Across The Line
Poles	6	Rotation	Reversible
Mounting	Resilient Rings	Motor Orientation	Horizontal
Drive End Bearing	Sleeve	Opp Drive End Bearing	Sleeve
Frame Material	Rolled Steel	Shaft Type	Flat
Overall Length	12.03 in	Frame Length	4.67 in
Shaft Diameter	0.500 in	Shaft Extension	5.8 in
Outline Drawing	DE3H7036-S01		

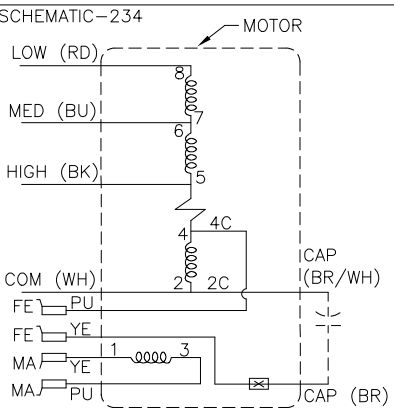
This is an uncontrolled document once printed or downloaded and is subject to change without notice. Date Created:02/10/2025

CUSTOMER IS SOLELY RESPONSIBLE FOR MOTOR PERFORMANCE AND SUITABILITY IN APPLICATIONS FOR CUSTOMER'S USES.

END PLAY .005[.13] MINIMUM -.040[1.02] MAXIMUM
 MAXIMUM SHAFT RUN OUT .001[.03] PER INCH
 MAXIMUM RUN OUT NOT TO EXCEED .010[.25]



NOTE:
 1. DISTRIBUTION PART NUMBER: 9715
 GRAINGER PART NUMBER: 4UY19



CONNECTION LABEL
 63T7433-305

CCWLE	PLUG IN YELLOW LEAD TO PURPLE LEAD
CWLE	PLUG IN PURPLE LEAD TO PURPLE LEAD

ELECTRICALLY PER
 SAMPLE 0444420C
 PERFORMANCE CURVE
 NO. C32440

ROT: REVERSIBLE
 NAMEPLATE DATA:

Century Tipp City, OH
 THERMALLY PROTECTED

SER. DATE & PO# PLT LTR MOD DE3H035N' []
 VOLTS 115 HZ AMPS 3.1
 RPM 1075/3 SPD SP3 PH1 CAP5 MFD/370 VAC
 INS CL B AMB 40°C HP CONT A.O. ← ROT REV →
 BRG SLV ASSEMBLED IN MEXICO

DRAWING REVISION SA	REVISION BY ADH	DATE 10/28/23	DRAWN BY: J. RUPERT	DATE: 12-02-2004	Regal Beloit America, Inc.
ECO ECR-0226700	APPROVED BY KEP	DATE 10/28/23	APPROVED BY: J. RUPERT	DATE: 12-02-2004	
ECO DESCRIPTION UPDATED REVERSE LEAD EXIT PER ECR			DESCRIPTION MODEL-RFHP-42FR	MATERIAL OUTLINE	PROCESS/FINISH
<small> PROPRIETARY AND CONFIDENTIAL INFORMATION - THIS DOCUMENT IS THE PROPERTY OF REGAL BELOIT AMERICA, INC. ("REGAL") AND CONTAINS REGAL'S PROPRIETARY INFORMATION. ANY PERSON, CORPORATION OR OTHER FIRM RECEIVING IT IS DEEMED, BY RECEIVING IT, TO AGREE THAT IT, AND/OR ANY PART OF IT, SHALL NOT BE DISCLOSED TO ANY PERSON, CORPORATION OR OTHER ENTITY, DUPLICATED, AND/OR USED, EXCEPT AS EXPRESSLY APPROVED IN WRITING IN ADVANCE BY REGAL. THIS DOCUMENT SHALL BE RETURNED TO OWNER UPON REQUEST. IT MAY BE SUBJECT TO CERTAIN RESTRICTIONS UNDER APPLICABLE EXPORT CONTROL LAWS AND REGULATIONS. </small>			REFERENCE THIRD ANGLE PROJECTION	SIZE DWG NO C	SHEET 1