

PRODUCT INFORMATION PACKET



Model No: 9722
Catalog No: 9722
MULTIFIT® Condenser Fan Motor, 1/8-1/10-1/12 HP, 1 Ph, 60 Hz, 208-230 V, 1075 RPM, 1 Speed,
42 Frame, TEAO



Regal and Century are trademarks of Regal Rexnord Corporation or one of its affiliated companies.
©2024 Regal Rexnord Corporation, All Rights Reserved. MC017097E





Nameplate Specifications

Phase	1	Output HP	1/8-1/10-1/12 Hp
Output KW	0.10 kW	Voltage	208-230 V
Speed	1075 rpm	Service Factor	1.0
Frame	42	Enclosure	Totally Enclosed Air Over
Thermal Protection	Automatic	Ambient Temperature	70 °C
Frequency	60 Hz	Current	0.9 A
Duty	Air Over	Insulation Class	F
UL	Recognized	CSA	Y
CE	N	Number of Speeds	1

Technical Specifications

Electrical Type	Permanent Split Capacitor	Starting Method	Across The Line
Poles	6	Rotation	Reversible
Mounting	Extended Studs	Motor Orientation	Any
Drive End Bearing	Ball	Opp Drive End Bearing	Ball
Frame Material	Rolled Steel	Shaft Type	Flat
Overall Length	7.50 in	Frame Length	4.27 in
Shaft Diameter	0.500 in	Shaft Extension	3.0 in
Outline Drawing	9722_FA		

This is an uncontrolled document once printed or downloaded and is subject to change without notice. Date Created:02/07/2024

GENERAL INFORMATION:

SHAFT RUNOUT: .001 [.03] T.I.R. PER INCH LENGTH OF EXTENSION

BEARINGS: BALL (L.E. PRELOAD)

MOUNTING POSITION: ALL ANGLE

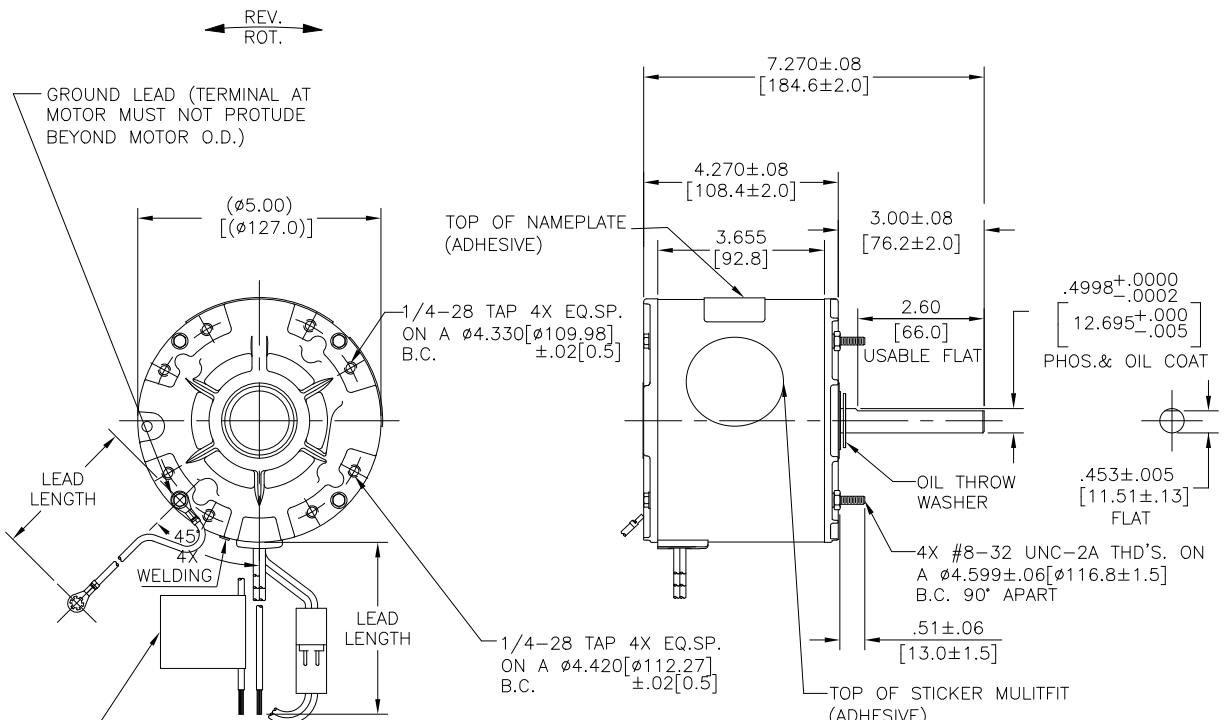
ELECTRICAL DATA:

OVERLOAD PROTECTOR: AUTOMATIC RESET (7AM033A5-481-8C)

LEADS: NO. 18 GA., .03 [.8] THK. XLP 125°C INSUL.

REVERSING PLUGS: NO. 18 GA., .03 [.8] THK. XLP 125°C INSUL.

GROUND LEAD: NO. 18 GA., .03 [.8] THK. (GREEN) INSUL.



- NOTE:
- 1) 4X SHOULDER STUDS 631585-062, 8XPLUGS PLU213, 4X HEX NUTS N238P15B9 AND 1 INSTALLATION MANUAL 2516557-001_FA TO BE PUT IN A POLY BAG AND PACKED WITH EACH MOTOR.
 - 2) 1 INSTRUCTION SHEET 2515675-001 TO BE PACKED ALONG THE SIDE OF EACH MOTOR, AND NOT INSIDE THE POLYBAG.
 - 3) ALL LABEL READBLE FROM LE SIDE .

COLOR	LENGTH	TERMINAL OR STRIP LENGTH
GREEN (GROUND)	11.0/13.0 [279/330]	#10 EYELET
BLACK/WHITE	3.0/5.0 [76/127]	REVERSING PLUGS
BROWN	36.0/39.0 [914/991]	.60[15.2] SKIN
WHITE	36.0/39.0 [914/991]	.60[15.2] SKIN
BLACK	36.0/39.0 [914/991]	.60[15.2] SKIN
COLOR	LENGTH	TERMINAL OR STRIP LENGTH

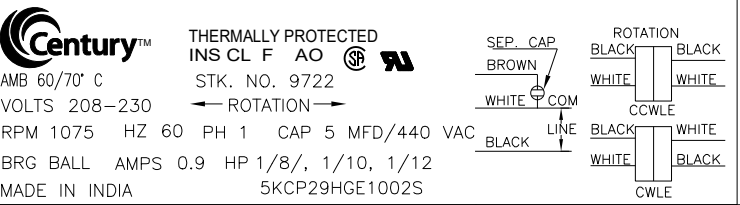
REGAL-BELOIT CORPORATION (RBC) PROVIDES TECHNICAL ASSISTANCE TO OUR CUSTOMERS IN SEVERAL AREAS. SINCE RBC DOES NOT RECEIVE ALL DATA CONCERNING THE USE AND APPLICATION OF THE MOTOR, THE SUITABILITY OF THE MOTOR FOR THE APPLICATION MUST BE DETERMINED BY THE CUSTOMER.

DIMENSIONS WITHOUT TOLERANCES ARE FOR REFERENCE ONLY.

MAIN FRAME - OLE	ENCLOSED
END FRAME - OLE	ENCLOSED
MAIN FRAME - LE	ENCLOSED
END FRAME - LE	ENCLOSED

CUSTOMER -

REF. DRG. DF367034/SM21-249 CONNECTION DIAGRAM



DRAWING REVISION	REVISION BY	DATE
E	MG	26-07-22
ECO	APPROVED BY	DATE
ECO-0217450	LS	26-07-22
ECO DESCRIPTION		
INS CLASS F WAS B, AMB 60/70°C WAS 60°C		

ENCLOSURE

DRAWN BY: MANOJ
DATE: 16.12.21

APPROVED BY: LS
DATE: 16.12.21

REFERENCE: REGAL

THIRD ANGLE PROJECTION

Regal Rexnord
Regal Beloit America, Inc.

DESCRIPTION: MODEL-RFHP-42FR OUTLINE

MATERIAL: PROCESS/FINISH

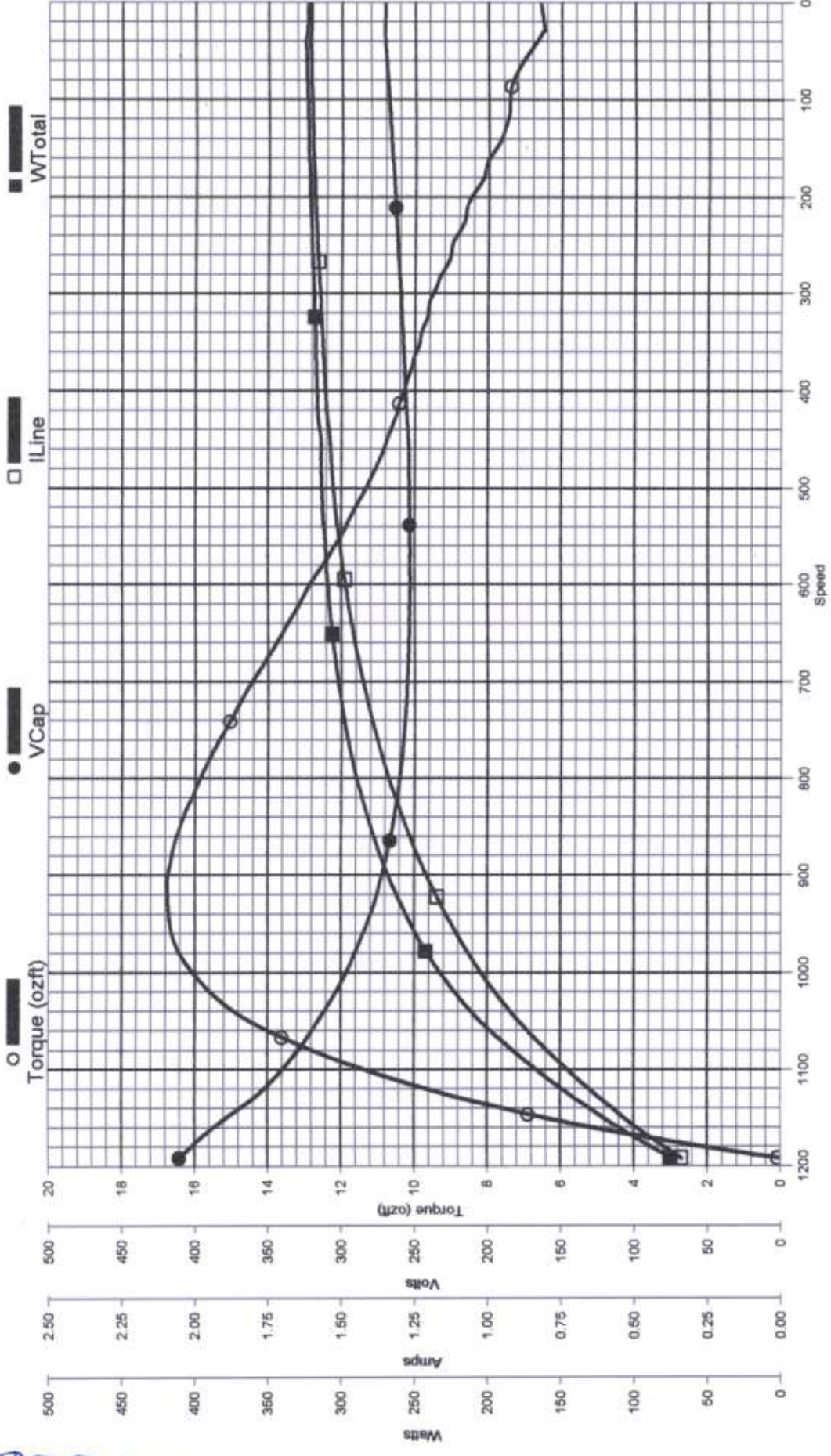
SIZE: DWG NO: 9722_FA SHEET 1

C32563

C32563
9722/DF367034
Friday, September 22, 2006 07:06 AM

AO Smith

Performance Down Project: 0603274 (High Speed)



TRACKING #: 10052752
 SBU: Heating & Air Cond
 ENGINEER: TIM RILEY
 TECHNICIAN: DAN THOMPSON
 TORQUE CELL: 100 inlb
 NP RPM: 1075
 # SPEEDS: 1
 MOTOR #: 1
 COMMENT 2:

CUSTOMER: DISTRIBUTION SERVICES
 MODEL: 0603274A
 FRAME: 42
 PHASES: 1
 VOLTS: 230.0
 HERTZ: 60
 RUN CAP: 5.00
 COMMENT1:
 COMMENT 3:

DESCRIPTION: SYNC-0
 TYPE: PSC
 BENCH: 1
 HP: 0.13
 ROTATION: CCW
 BDT: 16.76
 LRA: 1.60
 LRT: 6.57
 COMMENT 4:

C32563