

PRODUCT INFORMATION PACKET



Model No: 975

Catalog No: 975

OEM Replacement Motor, 1/20 HP, 1 Ph, 60 Hz, 115 V, 1045 RPM, 1 Speed, 42 Frame, OAO



Regal and Century are trademarks of Regal Rexnord Corporation or one of its affiliated companies.
©2025 Regal Rexnord Corporation, All Rights Reserved. MC017097E





Nameplate Specifications

Phase	1	Output HP	1/20 Hp
Output KW	0.04 kW	Voltage	115 V
Speed	1045 rpm	Service Factor	1.0
Frame	42Y	Enclosure	Open Air Over
Thermal Protection	Automatic	Ambient Temperature	40 °C
Frequency	60 Hz	Current	2.3 A
Duty	Air Over	Insulation Class	B
UL	Recognized	CSA	Y
CE	N	Number of Speeds	1

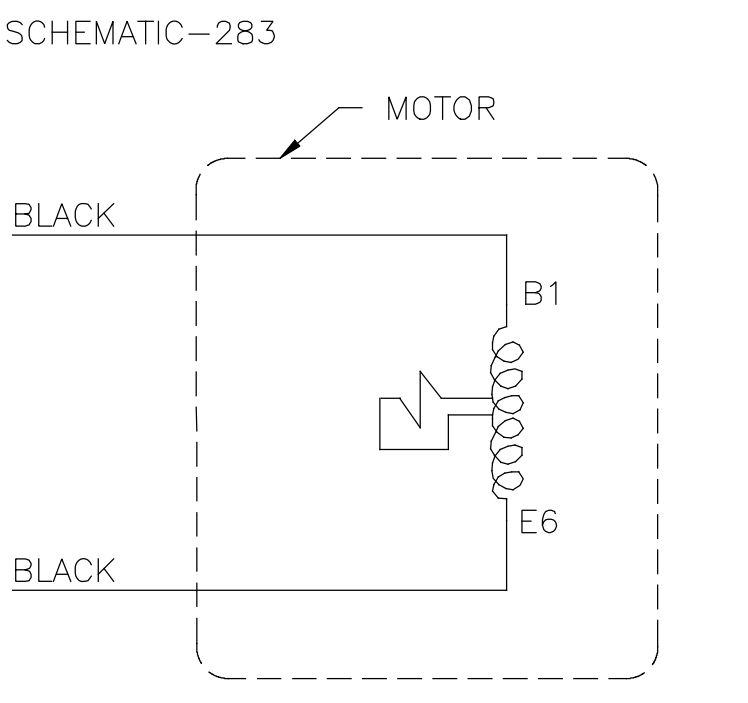
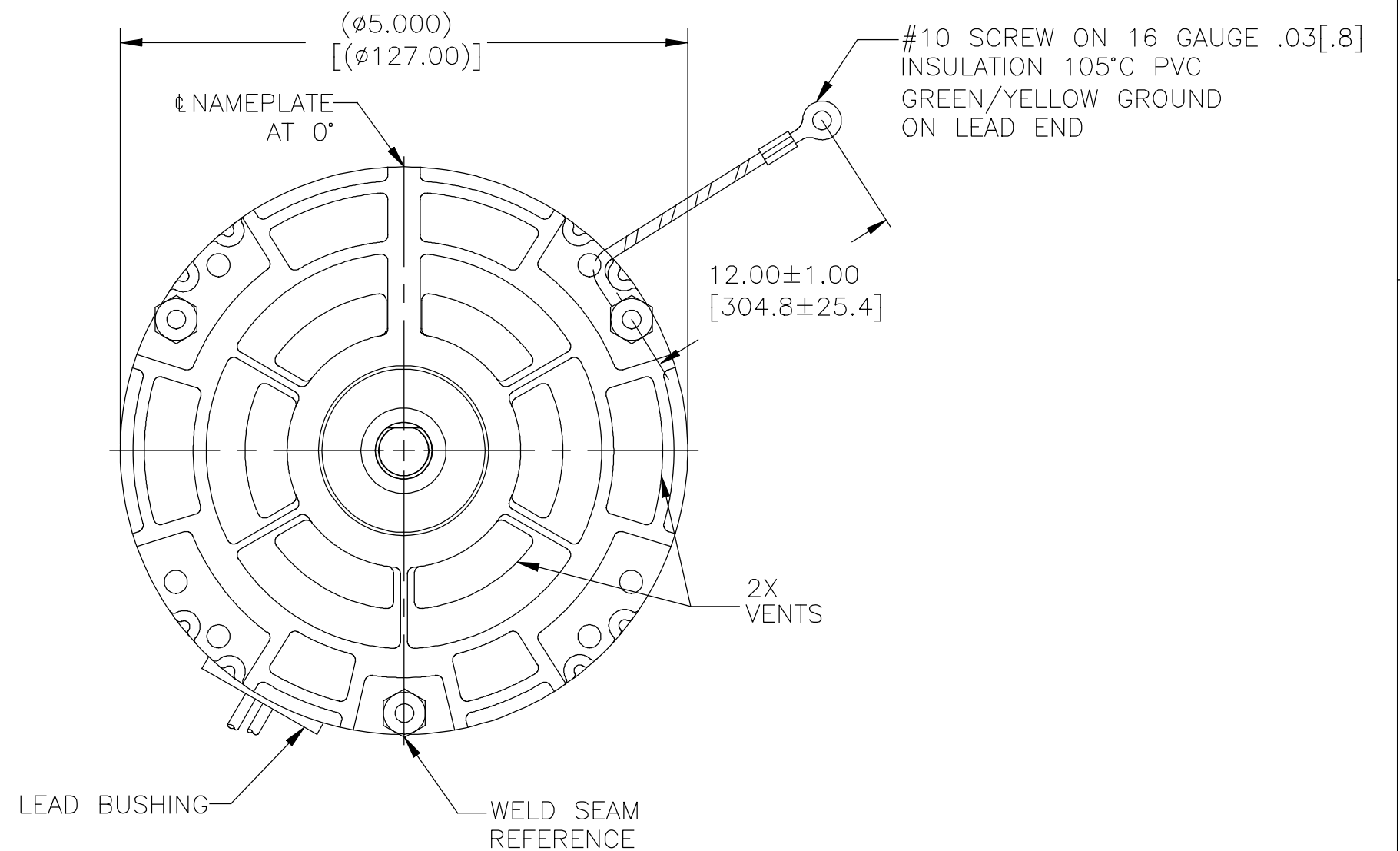
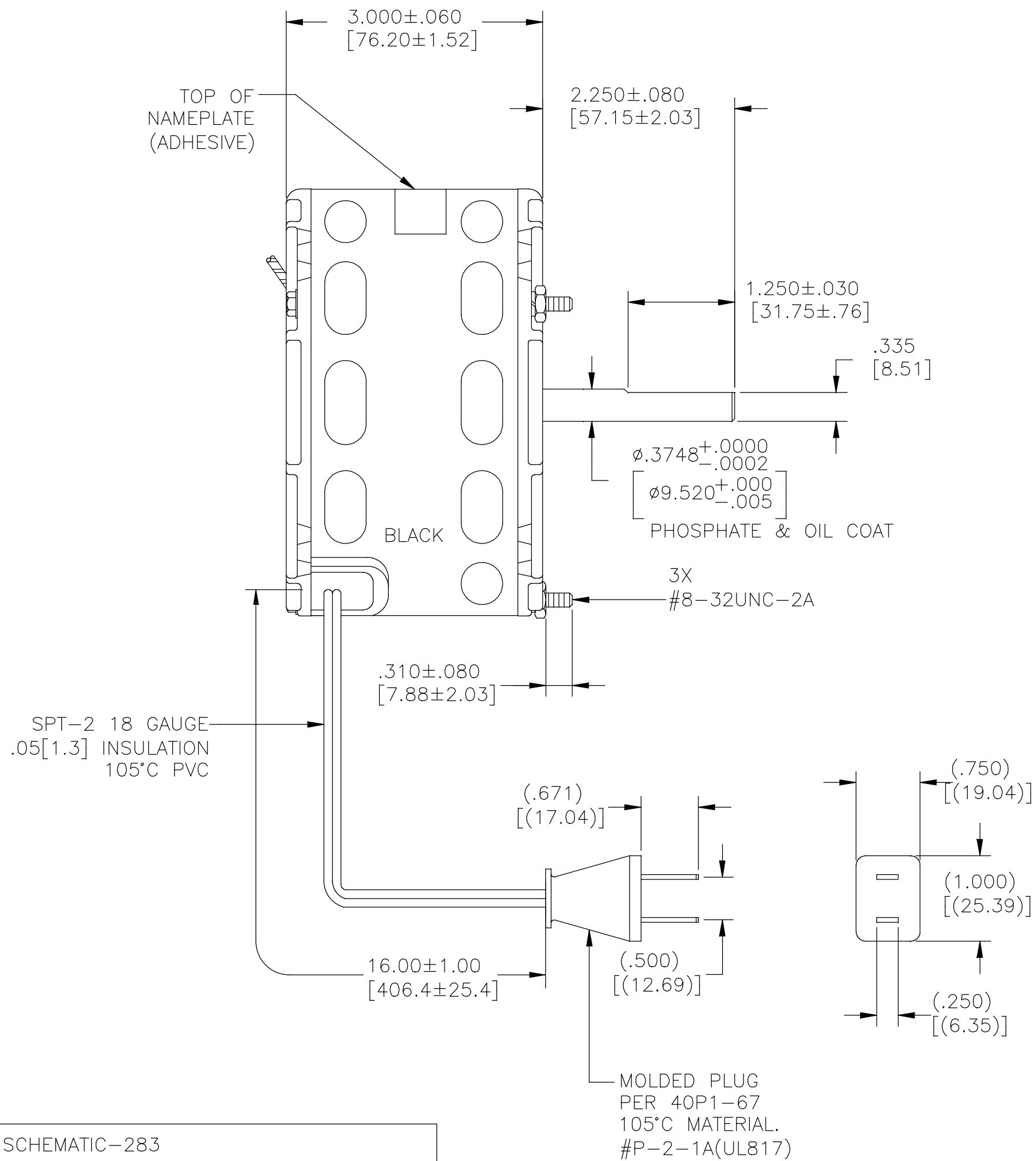
Technical Specifications

Electrical Type	Shaded Pole	Starting Method	Across The Line
Poles	6	Rotation	Counterclockwise Lead End
Mounting	Round Belly Band	Motor Orientation	Horizontal
Drive End Bearing	Sleeve	Opp Drive End Bearing	Sleeve
Frame Material	Rolled Steel	Shaft Type	Flat
Overall Length	5.25 in	Frame Length	2.42 in
Shaft Diameter	0.375 in	Shaft Extension	2.3 in
Outline Drawing	975-S01		

This is an uncontrolled document once printed or downloaded and is subject to change without notice. Date Created:11/06/2025

CUSTOMER IS SOLELY RESPONSIBLE FOR MOTOR PERFORMANCE AND SUITABILITY IN APPLICATIONS FOR CUSTOMER'S USES.

END PLAY .005[.13] MINIMUM - .040[1.02] MAXIMUM
 MAXIMUM SHAFT RUNOUT .001[.03] PER INCH
 MAXIMUM RUNOUT NOT TO EXCEED .010[.25]



ROT: CCWLE

NAMEPLATE DATA:

Tipp City, OH
THERMALLY PROTECTED

SER DATE & PO# PLT LTR MOD DA3B039N" STK. NO. 975
 VOLTS 115 HZ 60 AMPS 2.3
 RPM 1045 SP PH CAP
 INS CL B AMB 40°C HP 1/20 CCWLE
 BRG SLV ASSEMBLED IN MEXICO

ELECTRICALLY PER
SAMPLE S9871E

DRAWING REVISION C	REVISION BY JERRY CHAI	DATE 02-20-2019	TOLERANCES UNLESS OTHERWISE SPECIFIED	DRAWN BY: JERRY CHAI	Regal Beloit America, Inc.
ECO ECO-0162148	APPROVED BY WEI.LV	DATE 02-20-2019	DEC. INCH mm ANGLE .X ±0.1 [±2.5] ±2.0° .XX ±0.12 [±3.05] .XXX ±0.005 [±0.127] .XXXX ±0.0005 [±0.0127]	DATE: 02-20-2019	
ECO DESCRIPTION SEE ECO	COPYRIGHT REGAL BELOIT AMERICA, INC. ALL RIGHTS RESERVED. PROPRIETARY AND CONFIDENTIAL INFORMATION - THIS DOCUMENT IS THE PROPERTY OF REGAL BELOIT AMERICA, INC. (OWNER) AND CONTAINS OWNER'S PROPRIETARY INFORMATION. ANY PERSON, CORPORATION OR OTHER FIRM RECEIVING IT IS DEEMED, BY RECEIVING IT, TO AGREE THAT IT, AND/OR ANY PART OF IT, SHALL NOT BE DISCLOSED TO ANY PERSON, CORPORATION OR OTHER ENTITY, DUPLICATED, AND/OR USED, EXCEPT AS EXPRESSLY APPROVED IN WRITING IN ADVANCE BY OWNER. THIS DOCUMENT SHALL BE RETURNED TO OWNER UPON REQUEST. IT MAY BE SUBJECT TO CERTAIN RESTRICTIONS UNDER APPLICABLE EXPORT CONTROL LAWS AND REGULATIONS.		REMOVE BURRS & BREAK SHARP EDGES .003/.015 [0.076/.381] CORNER FILLETS .02 [.51] MACHINED SURFACES 125/ mm 3.2/ INCH	APPROVED BY: WEI.LV	DESCRIPTION MODEL-RFHP-42FR OUTLINE
			MATERIAL	REFERENCE	PROCESS/FINISH
			THIRD ANGLE PROJECTION	SIZE DWG NO C 975	SHEET 1