

PRODUCT INFORMATION PACKET



Model No: ARB2034L4

Catalog No: ARB2034L4

Fan and Blower Motor, 1/3 HP, 1 Ph, 60 Hz, 115/208-230 V, 1800 RPM, 56Z Frame, TEAO



Regal and Century are trademarks of Regal Rexnord Corporation or one of its affiliated companies.

©2022 Regal Rexnord Corporation, All Rights Reserved. MC017097E





Nameplate Specifications

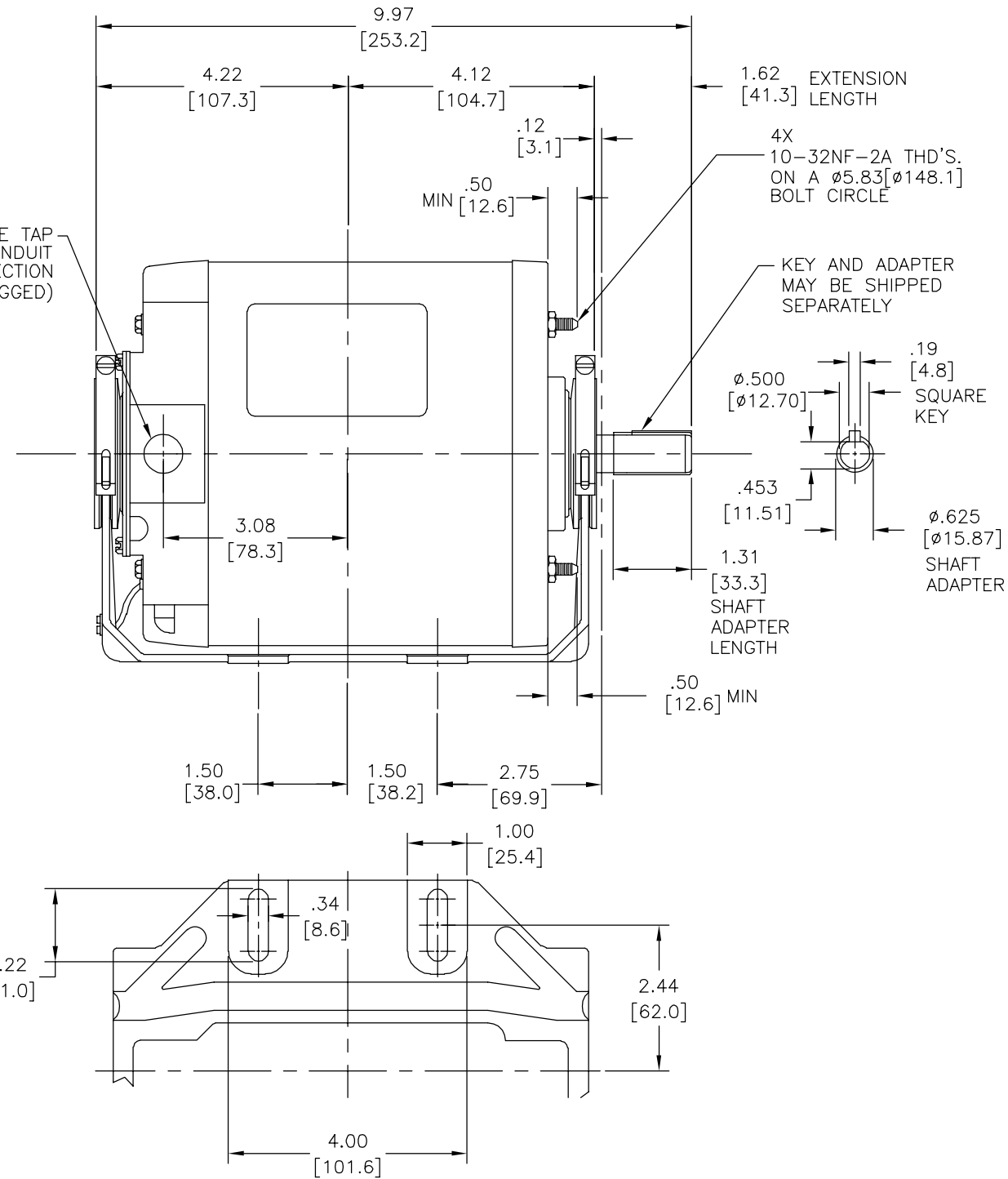
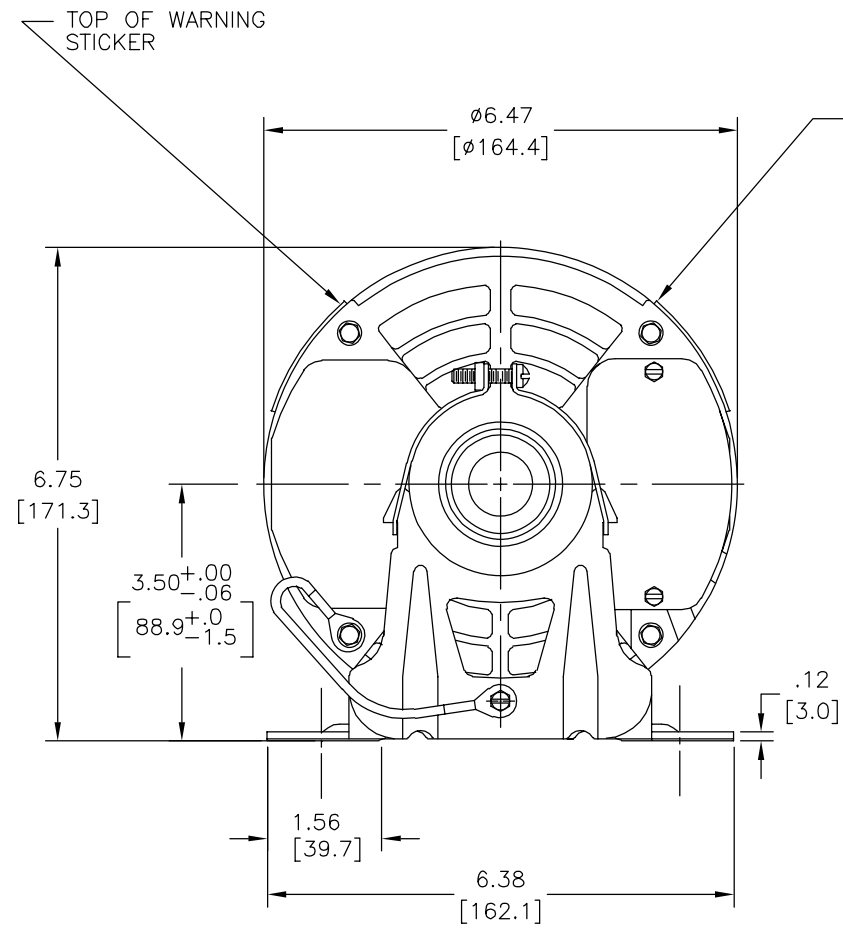
Output HP	1/3 Hp	Output KW	0.25 kW
Frequency	60 Hz	Voltage	115/208-230 V
Current	5.6/2.8 A	Speed	1725 rpm
Service Factor	1.35	Phase	1
Duty	Continuous	Insulation Class	B
Frame	56Z	Enclosure	Totally Enclosed Air Over
Thermal Protection	No Protection	Ambient Temperature	40 °C
UL	Recognized	CSA	Y
CE	N	Number of Speeds	1

Technical Specifications

Electrical Type	Split Phase	Starting Method	Across The Line
Poles	4	Rotation	Reversible
Mounting	Resilient Base	Drive End Bearing	Ball
Opp Drive End Bearing	Ball	Frame Material	Rolled Steel
Shaft Type	Keyed	Overall Length	9.97 in
Frame Length	5.19 in	Shaft Diameter	0.625 in
Shaft Extension	1.62 in		
Connection Drawing	619785-052C	Outline Drawing	ARB2034L4

This is an uncontrolled document once printed or downloaded and is subject to change without notice. Date Created:11/28/2022

REV	ECO	REV BY	DATE	APPD	DATE
B	ECO-0025365	T.HUANG	04-17-2012	B.C.SHEN	04-17-2012



GEOMETRIC CHARACTERISTICS & SYMBOLS

- ▭ FLATNESS
- STRAIGHTNESS
- ∠ ANGULARITY
- ⊥ PERPENDICULARITY (SQUARENESS)
- // PARALLELISM
- ROUNDNESS (CIRCULARITY)
- ⊘ CYLINDRICITY
- △ PROFILE OF ANY SURFACE
- ∩ PROFILE OF ANY LINE
- ↗ RUNOUT
- ⊕ TRUE POSITION
- ◎ CONCENTRICITY
- ≡ SYMMETRY

ASME Y14.5M 1994

UNLESS OTHERWISE SPECIFIED DIM. TOLERANCES ARE AS FOLLOWS:

INCH	±.1	±.02	±.005	±.0005
mm	±0.5	±0.13	±0.013	

ANG. ±.50 DEG

REMOVE BURRS & BREAK SHARP EDGES:

INCH	.003-.015	mm	0.1-0.4
------	-----------	----	---------

CORNER FILLETS TO:

INCH	.020	mm	0.5
------	------	----	-----

MACHINE SURFACES:

INCH	125	mm	3.2
------	-----	----	-----

METRIC DIMS. SHOWN IN [BRACKETS]

DR BY: MG

APPD: AB

THIRD ANGLE PROJECTION

CONFIDENTIAL: THIS DRAWING AND ITS INFORMATION ARE THE EXCLUSIVE AND CONFIDENTIAL PROPERTY OF REGAL-BELOIT CORPORATION AND ARE NOT TO BE DISCLOSED, DUPLICATED, DISTRIBUTED OR OTHERWISE USED WITHOUT THE WRITTEN CONSENT OF REGAL-BELOIT CORPORATION. -ALL RIGHTS RESERVED.

04-20-2009

04-20-2009

EDS DATE 11-11-2011

FORMAT REV G

REGAL-BELOIT CORPORATION

DESCRIPTION: OUTLINE

SIZE C DWG NO ARB2034L4

SCALE NONE SHEET 1

4

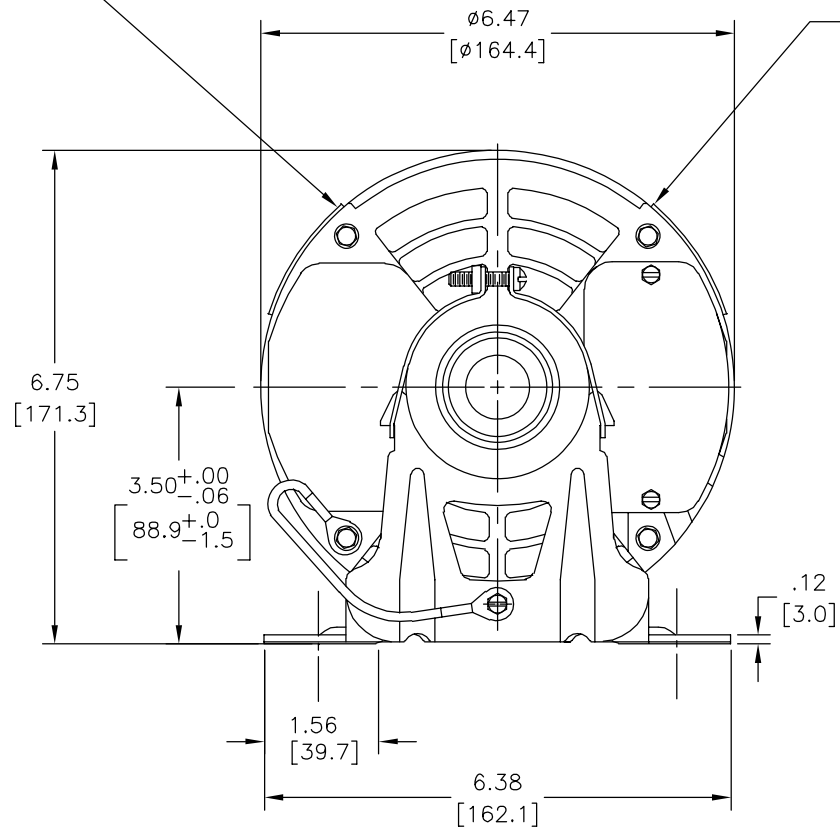
3

2

1

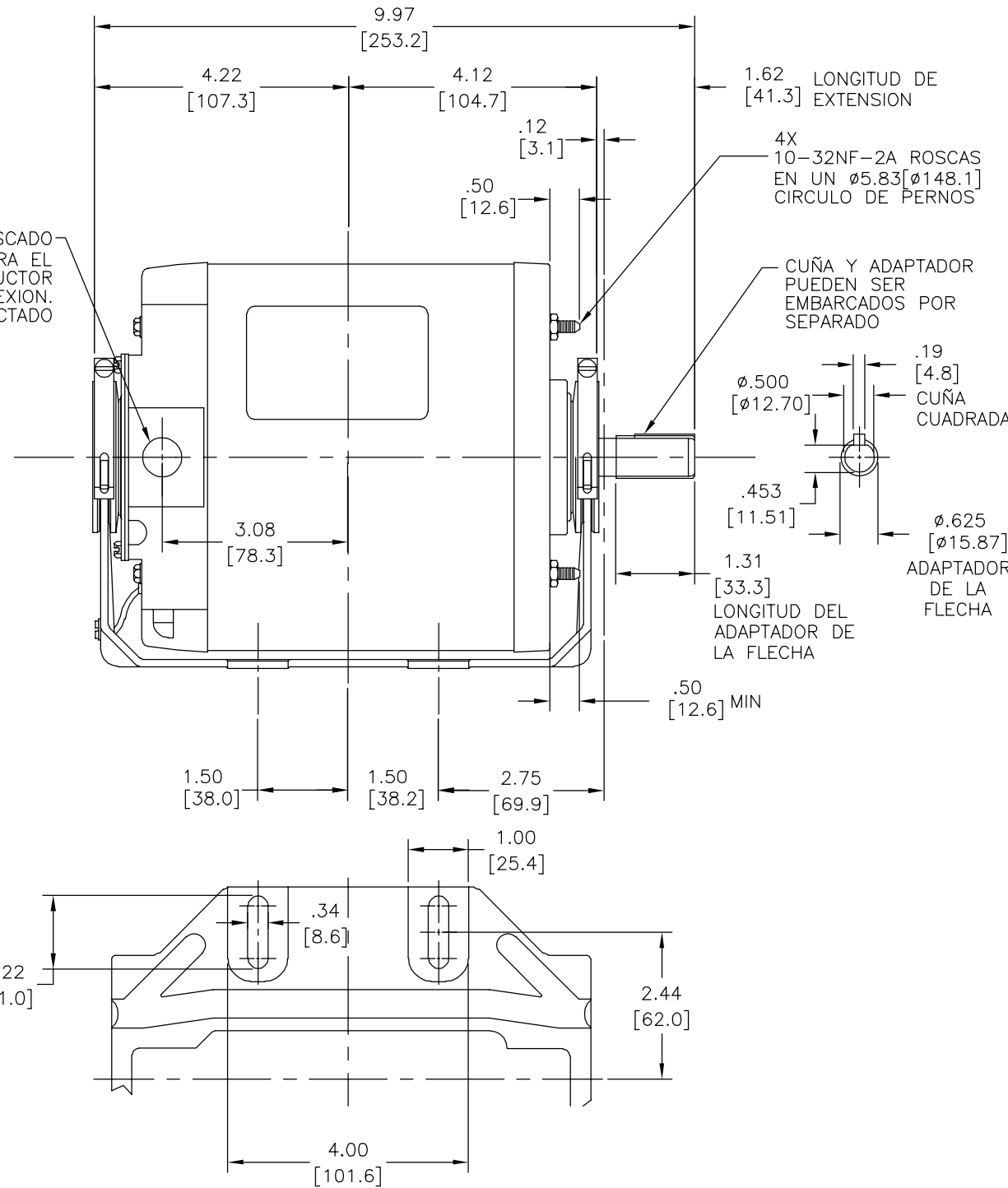
REVISION:	ECO	REVISADO POR:	FECHA:	APROBADO POR:	FECHA:
B	ECO-0025365	T.HUANG	04-17-2012	B.C.SHEN	04-17-2012

VISTA SUPERIOR DE ETIQUETA DE ADVERTENCIA



PARTE SUPERIOR DE ETIQUETA DE DATOS DEL MOTOR

TUBO ROSCADO 1/2-14 PARA EL CONDUCTOR DE CONEXION. CONECTADO



1.62 LONGITUD DE EXTENSION [41.3]

4X 10-32NF-2A ROSCAS EN UN Ø5.83 [Ø148.1] CIRCULO DE PERNOS

CUÑA Y ADAPTADOR PUEDEN SER EMBARCADOS POR SEPARADO

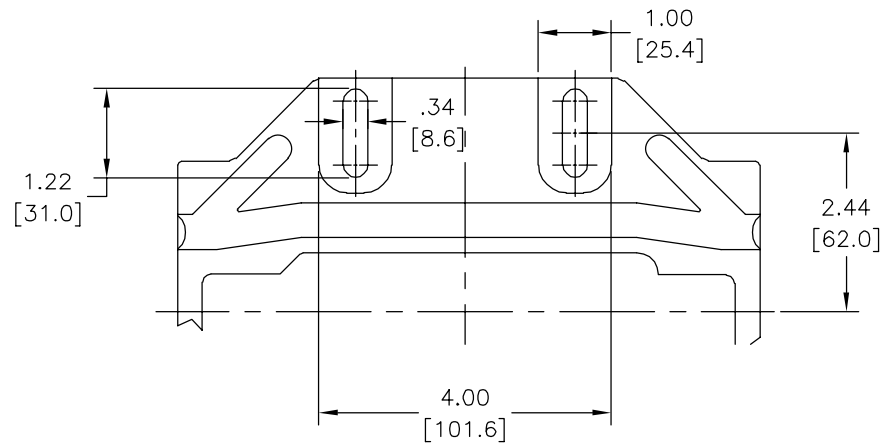
.19 [4.8] CUÑA CUADRADA

Ø.625 [Ø15.87] ADAPTADOR DE LA FLECHA

1.31 [33.3] LONGITUD DEL ADAPTADOR DE LA FLECHA

.50 [12.6] MIN

1.50 [38.0] 1.50 [38.2] 2.75 [69.9]



CARACTERISTICAS DE GEOMETRIA Y SIMBOLOS

- ▧ PLANICIDAD
- RECTITUD
- ∠ ANGULARIDAD
- ⊥ PERPENDICULARIDAD (A ESCUADRA)
- // PARALELISMO
- REDONDEZ (CIRCULARIDAD)
- ⊘ CILINDRICIDAD
- △ PERFIL DE CUALQUIER SUPERFICIE
- ∧ PERFIL DE CUALQUIER LINEA
- ∧ VARIACION
- ⊕ POSICION REAL
- ◎ CONCENTRICIDAD
- = SIMETRIA

A MENOS QUE SE ESPECIFIQUE DE OTRA MANERA, LAS TOLERANCIAS DE LAS DIMS; SON LAS SIGUIENTES:

PULG ±.1 ±.02 ±.005 ±.0005
 mm ±0.5 ±0.13 ±0.013

ANG. ± 50 GRADOS

ELIMINAR REBABAS Y ORILLAS FILOSAS DEL BORDE.

PULG .003-.015 mm 0.1-0.4

FILETEAR ESQUINA: PULG .020 mm 0.5

MAQUINAR SUPERFICIES

PULG 125 mm .32

DIMS METRICAS MOSTRADAS [PARENTESIS]

DIBUJADO POR: MG 04-20-2009

APROBADO POR: AB 04-20-2009

TERCER ANGULO DE PROYECCION

FECHA EDS: 11-11-2011

REV. FORMATO: G

CONFIDENCIAL: ESTE DIBUJO Y SU INFORMACION SON PROPIEDAD DE USO EXCLUSIVO Y CONFIDENCIAL DE REGAL-BELOIT CORPORATION. Y NO DEBERAN SER REVELADOS, DUPLICADOS, DISTRIBUIDOS O USARSE DE OTRA MANERA SIN EL CONSENTIMIENTO ESCRITO DE REGAL-BELOIT CORPORATION. -TODOS LOS DERECHOS RESERVADOS.

REGAL-BELOIT CORPORATION

DESCRIPCION: **OUTLINE**

TAMAÑO: C NUMERO DE DIBUJO: **ARB2034L4**

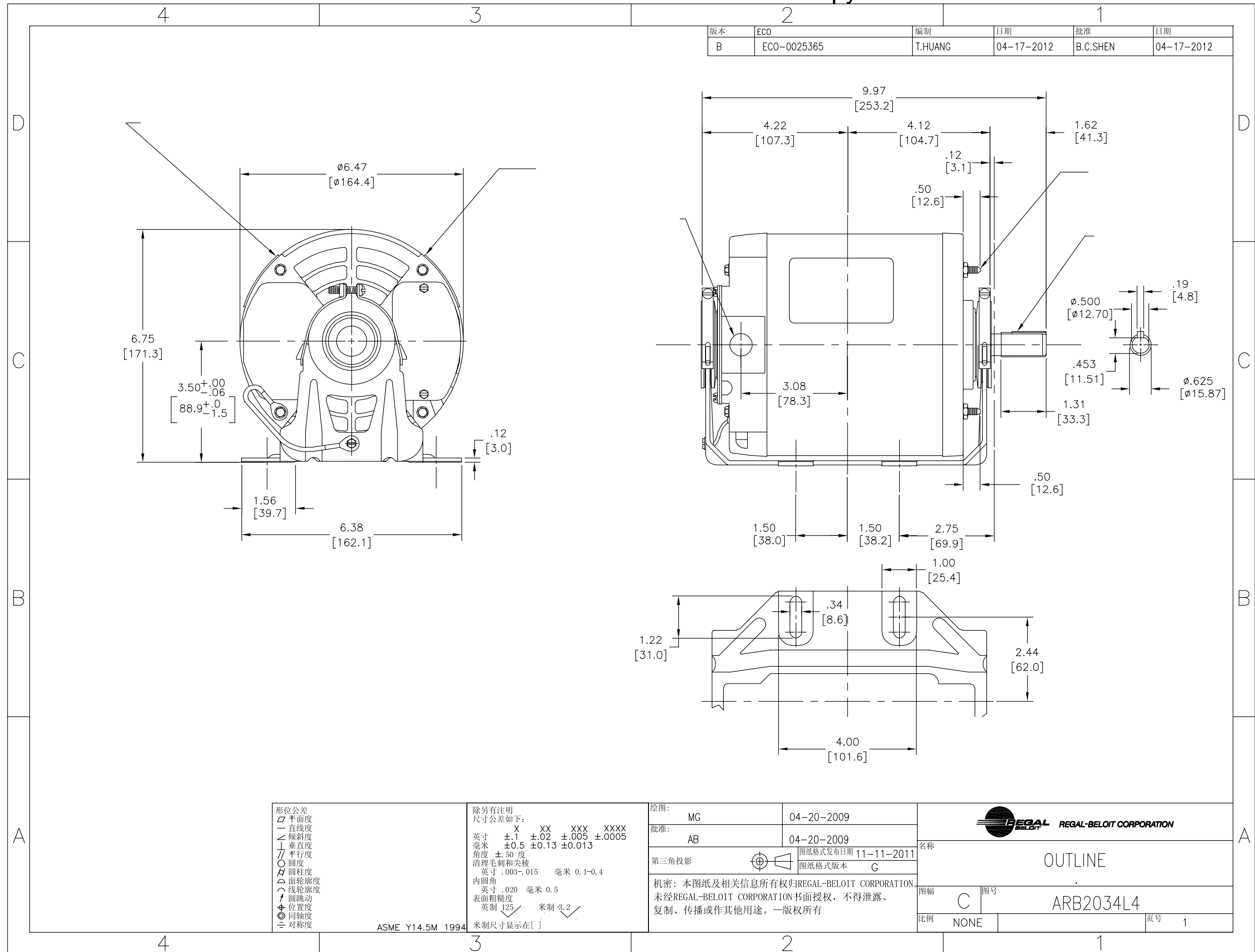
ESCALA: NONE HOJA: 1

4

3

2

1



版本	ECO	编制	日期	批准	日期
B	ECO-0025365	T.HUANG	04-17-2012	B.C.SHEN	04-17-2012

形位公差 □ 平面度 — 直线度 < 倾斜度 ⊥ 垂直度 // 平行度 ○ 圆度 ⊙ 圆柱度 △ 面轮廓度 ∩ 线轮廓度 ↗ 圆跳动 ⊕ 位置度 ⊗ 同轴度 ≡ 对称度	除另有注明 尺寸公差如下: 英寸 X XX XXX XXXX 毫米 ±0.1 ±0.02 ±0.005 ±0.0005 毫米 ±0.5 ±0.13 ±0.013 角度 ±.50 度 清理毛刺和尖棱 英寸 .003-.015 毫米 0.1-0.4 内圆角 英寸 .020 毫米 0.5 表面粗糙度 英制 125 米制 3.2 米制尺寸显示在 []
---	---

绘图:	MG	04-20-2009
批准:	AB	04-20-2009
第三角投影		图纸格式发布日期 11-11-2011 图纸格式版本 G
机密: 本图纸及相关信息所有权归REGAL-BELOIT CORPORATION 未经REGAL-BELOIT CORPORATION书面授权, 不得泄露、 复制、传播或作其他用途。—版权所有		

名称	OUTLINE
图幅	C
图号	ARB2034L4
比例	NONE
页号	1

REVISIONS							SUPERSEDED BY		LIMITS UNLESS NOTED
SYM.	REQ. CHGS.	DESCRIPTION	E.C. NO.	BY	DATE	CHKD.	SUPERSEDES		

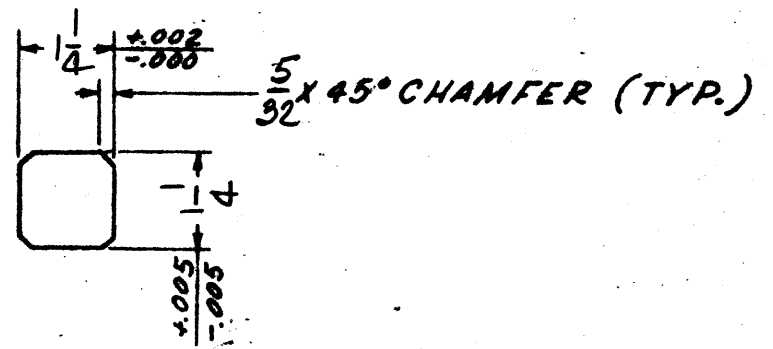
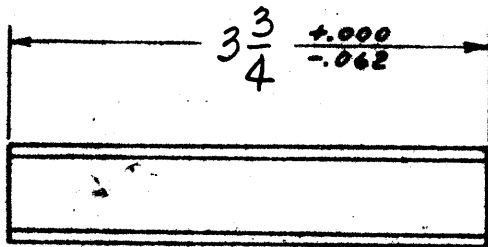
FRACTIONAL DIMENSIONS

BETWEEN FINISHED SURFACES ± .015

BETWEEN UNFINISHED SURFACES ± .050

BETWEEN FINISHED AND UNFINISHED SURFACES ± .040

BREAK ALL SHARP EDGES .015 MAX. ANGLES ± 1/2°



MAT'L = KEYSTOCK

SCANNED
"A-SIZE DRAWING"

SCALE <i>NONE</i>	DATE	GEAR PRODUCTS OPERATIONS HEWITT-ROBINS <small>INCORPORATED</small> A DIVISION OF LITTON INDUSTRIES	KEY-SPECIAL CHAMFERED INT.	DWG. SIZE	795619785	REV.
DRAWN BY <i>D</i>	<i>9-5-69</i>			<i>A</i>		
CHECKED BY						
APPROVED BY						