

# PRODUCT INFORMATION PACKET



Model No: ARB2034L6  
Catalog No: ARB2034L6

Fan and Blower Motor, 1/3 HP, 1 Ph, 60 Hz, 115/208-230 V, 1800 RPM, 48 Frame, TEAO



Regal and Century are trademarks of Regal Rexnord Corporation or one of its affiliated companies.  
©2026 Regal Rexnord Corporation, All Rights Reserved. MC017097E





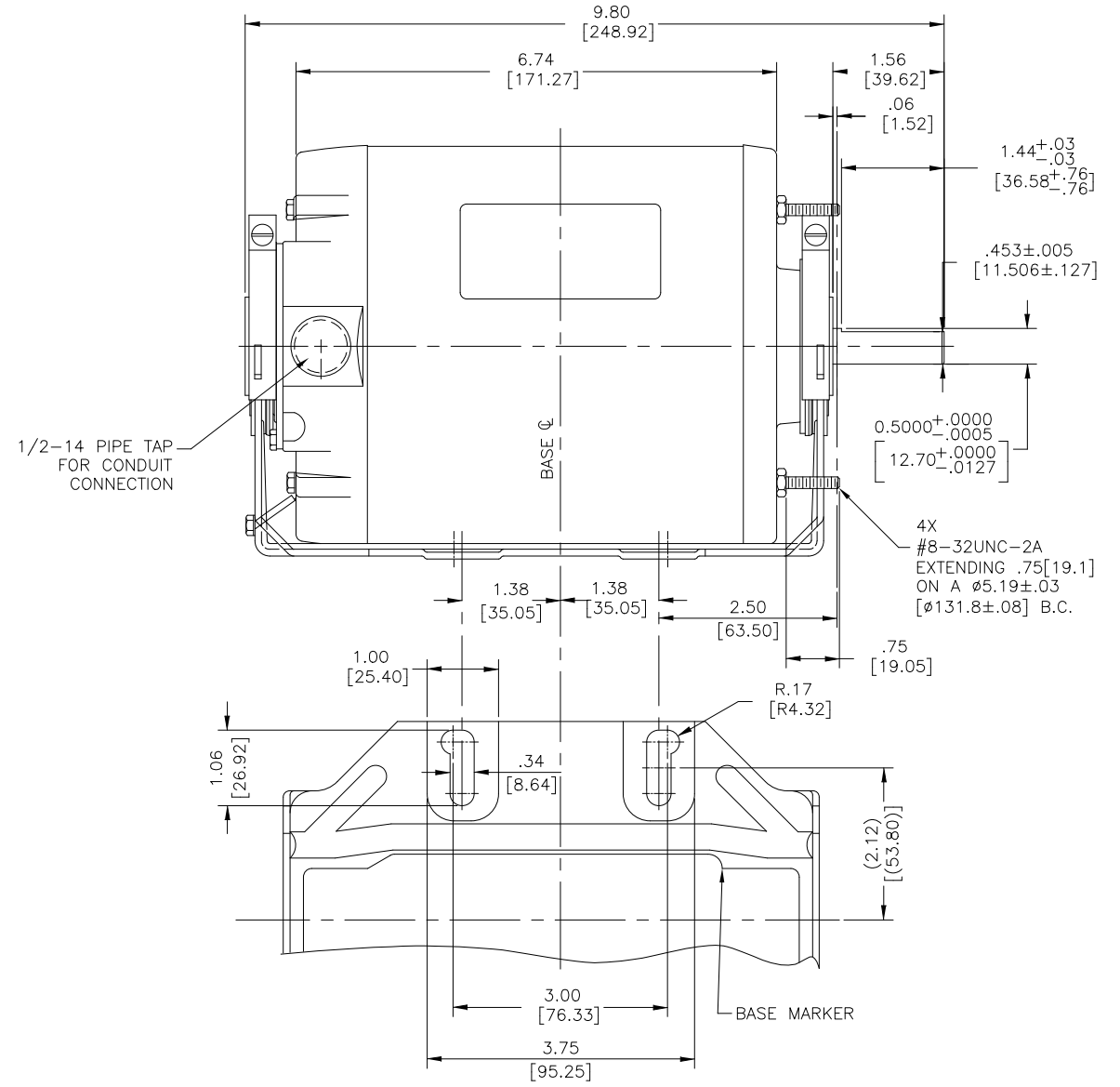
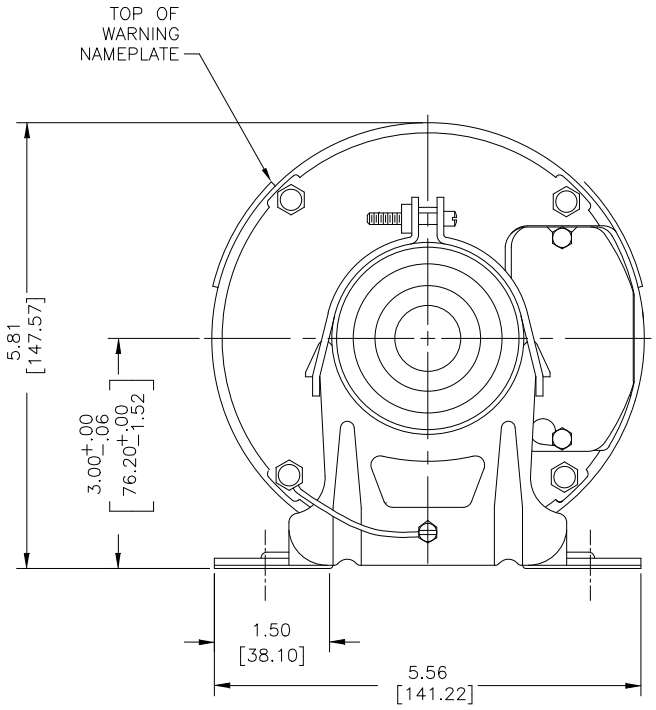
**Nameplate Specifications**

Phase	1	Output HP	1/3 Hp
Output KW	0.25 kW	Voltage	115/208-230 V
Speed	1725 rpm	Service Factor	1.00
Frame	48	Enclosure	Totally Enclosed Air Over
Thermal Protection	Automatic	Efficiency	62 %
Ambient Temperature	40 °C	Frequency	60 Hz
Current	4.9/2.3-2.5 A	Duty	Continuous
Insulation Class	B	UL	Recognized
CSA	Y	CE	N
Number of Speeds	1		

**Technical Specifications**

Electrical Type	Split Phase	Starting Method	Across The Line
Poles	4	Rotation	Reversible
Mounting	Resilient Base	Drive End Bearing	Ball
Opp Drive End Bearing	Ball	Frame Material	Rolled Steel
Shaft Type	Flat	Overall Length	9.80 in
Frame Length	5.44 in	Shaft Diameter	0.655 in
Shaft Extension	1.56 in		
Outline Drawing	ARB2034L6-S01	Connection Drawing	621804-001A

This is an uncontrolled document once printed or downloaded and is subject to change without notice. Date Created:04/29/2026

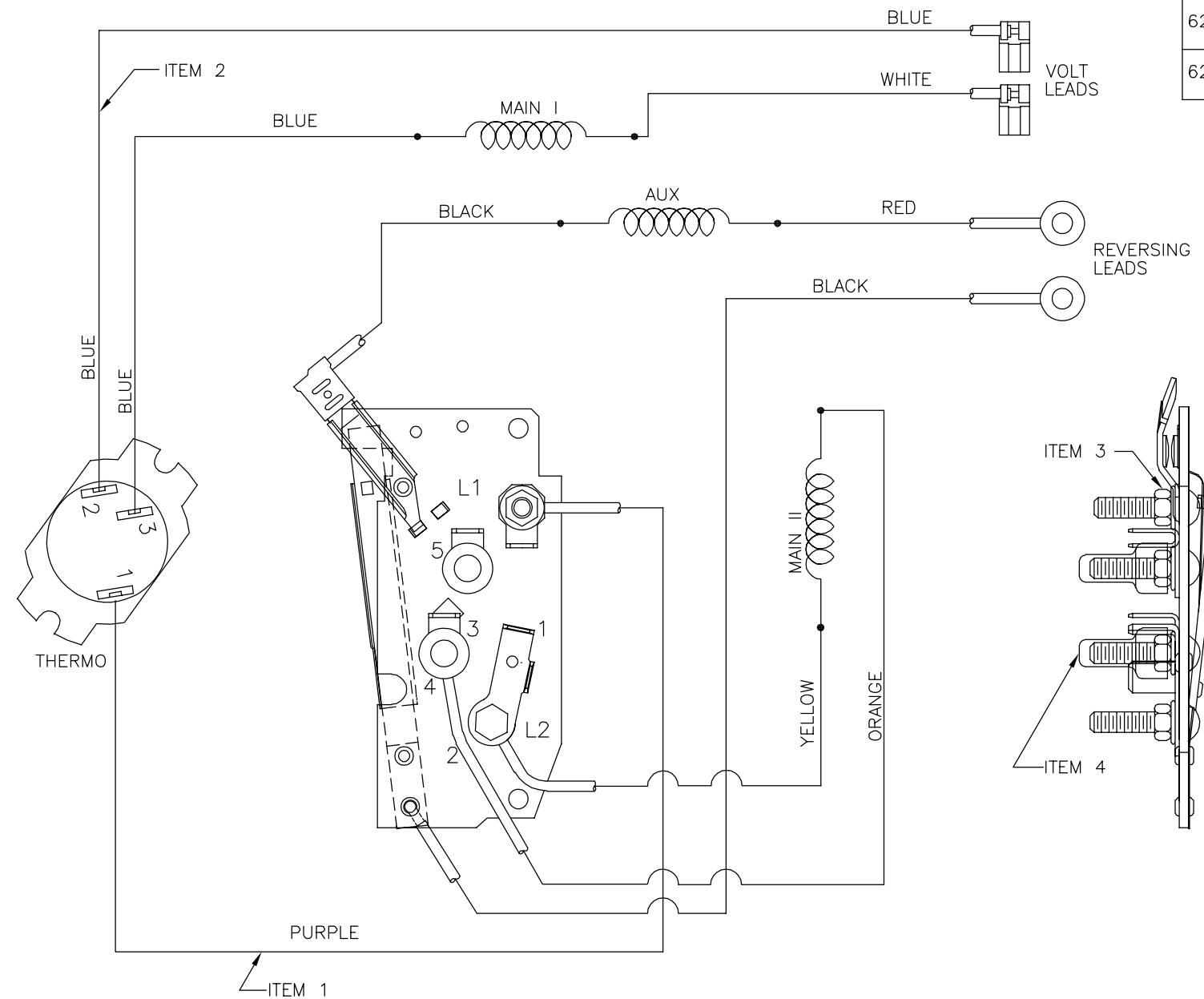


NOTE: ENCLOSED MOTOR

DRAWING REVISION D	REVISION BY GKB	DATE 04/28/2026	TOLERANCES UNLESS OTHERWISE SPECIFIED DEC. INCH mm ANGLE .X ±0.1 [±2.5] ±0.5° .XX ±0.02 [±0.51] .XXX ±0.005 [±0.127] XXXX ±0.0005 [±0.0127]	DRAWN BY: Teresita R.	Regal Beloit America, Inc.
ECO ECR-0251065	APPROVED BY D.SURYAWANSHI	DATE 04/28/2026	DATE 11-22-2008	APPROVED BY: S.Bowling	
ECO DESCRIPTION UPDATED SHAFT DIAMETER			REMOVE BURRS & BREAK SHARP EDGES .003/.015 [0.076/.381] CORNER FILLETS .02 [0.51] MACHINED SURFACES .125/ mm 3/2 INCH/ mm 3/2	DATE: 11-22-2008	DESCRIPTION OUTLINE
<small>           COPYRIGHT REGAL BELOIT AMERICA, INC. ALL RIGHTS RESERVED. PROPRIETARY AND CONFIDENTIAL INFORMATION - THIS DOCUMENT IS THE PROPERTY OF REGAL BELOIT AMERICA, INC. (OWNER) AND COMPANY OWNER'S PROPRIETARY INFORMATION. ANY REPRODUCTION OR OTHER FIRM RECEIVING IT IS DENIED. BY RECEIVING IT, TO AGREE THAT IT, AND/OR ANY PART OF IT, SHALL NOT BE DISCLOSED TO ANY PERSON, CORPORATION OR OTHER ENTITY, DUPLICATED, AND/OR USED, EXCEPT AS EXPRESSLY APPROVED IN WRITING IN ADVANCE BY OWNER. THIS DOCUMENT SHALL BE RETURNED TO OWNER UPON REQUEST. IT MAY BE SUBJECT TO CERTAIN RESTRICTIONS UNDER APPLICABLE EXPORT CONTROL LAWS AND REGULATIONS.         </small>			PROCESS/FINISH	MATERIAL	SIZE DWG NO C ARB2034L6
			THIRD ANGLE PROJECTION		SHEET 1

REV	ECO	REV BY	DATE	APPD	DATE
F	0007188	Lara Grado	06-22-2009	C. Contreras	06-22-2009

PART NO.	ROT	CONNECTION	VOLT	CONNECTION	NOTICE
621804-001A	CCW	BLACK → 2 RED → 4	115	WHITE → 1 BLUE → 3	92GR 0658
621804-001B	CW	RED → 2 BLACK → 4	115	WHITE → 1 BLUE → 3	---
621804-001C	CCW	BLACK → 2 RED → 4	230	BLUE → 5 WHITE → 3	94GR 0364
621804-001D	CW	RED → 2 BLACK → 4	230	BLUE → 5 WHITE → 3	---



NOTES:

1. CONNECT REVERSING & VOLTAGE LEADS PER DASH CONDITION SPECIFIED ON BOM FOR MODEL, TO TERMINALS MARKED WITH ARROWS USING CHART ABOVE.
2. LEAD & TERM. ASSY. PER PS-595
3. LEAD LOCATION SHOULD BE ESSENTIALLY AS SHOWN

PARTS LIST

ITEM	REQ	DESCRIPTION	PART NUMBER
1	1	LEAD	091P18-U6-065-KD
2	1	LEAD	091BL18-U6-070-HB
3	4	NUT, HEX-#8	368C210H05
4	2	TERMINAL-INSULATOR	167A168H01

DRFT. REF: 369C382H03 TERM. BOARD

GEOMETRIC CHARACTERISTICS & SYMBOLS

- ▭ FLATNESS
- STRAIGHTNESS
- ∠ ANGULARITY
- ⊥ PERPENDICULARITY (SQUARENESS)
- ∥ PARALLELISM
- ROUNDNESS (CIRCULARITY)
- ⊘ CYLINDRICITY
- △ PROFILE OF ANY SURFACE
- ∩ PROFILE OF ANY LINE
- ↗ RUNOUT
- ⊕ TRUE POSITION
- ◎ CONCENTRICITY
- ≡ SYMMETRY

UNLESS OTHERWISE SPECIFIED DIM. TOLERANCES ARE AS FOLLOWS:

INCH X XX XXX XXXX  
 ±.1 ±.02 ±.005 ±.0005  
 mm ±0.5 ±0.13 ±0.013

ANG. ±.50 DEG  
 REMOVE BURRS & BREAK SHARP EDGES:  
 INCH .003-.015 mm 0.1-0.4

CORNER FILLETS TO:  
 INCH .020 mm 0.5

MACHINE SURFACES:  
 INCH 125 mm 3.2

METRIC DIMS. SHOWN IN [BRACKETS]

DR BY: SFW 02-12-2007

APPD:

THIRD ANGLE PROJECTION

EDS DATE 02-22-2008  
 FORMAT REV F

CONFIDENTIAL: THIS DRAWING AND ITS INFORMATION ARE THE EXCLUSIVE AND CONFIDENTIAL PROPERTY OF A.O. SMITH CORP. AND ARE NOT TO BE DISCLOSED, DUPLICATED, DISTRIBUTED OR OTHERWISE USED WITHOUT THE WRITTEN CONSENT OF A.O. SMITH CORP.  
 -ALL RIGHTS RESERVED. ASME Y14.5M 1994

**ACSmith** **ELECTRICAL PRODUCTS COMPANY**  
 Innovation has a name. A DIVISION OF A. O. SMITH CORPORATION

DESCRIPTION: EXTERNAL PART-CONN. TYPE "S"

SIZE C DWG NO 621804-001

SCALE NONE SHEET 1

4

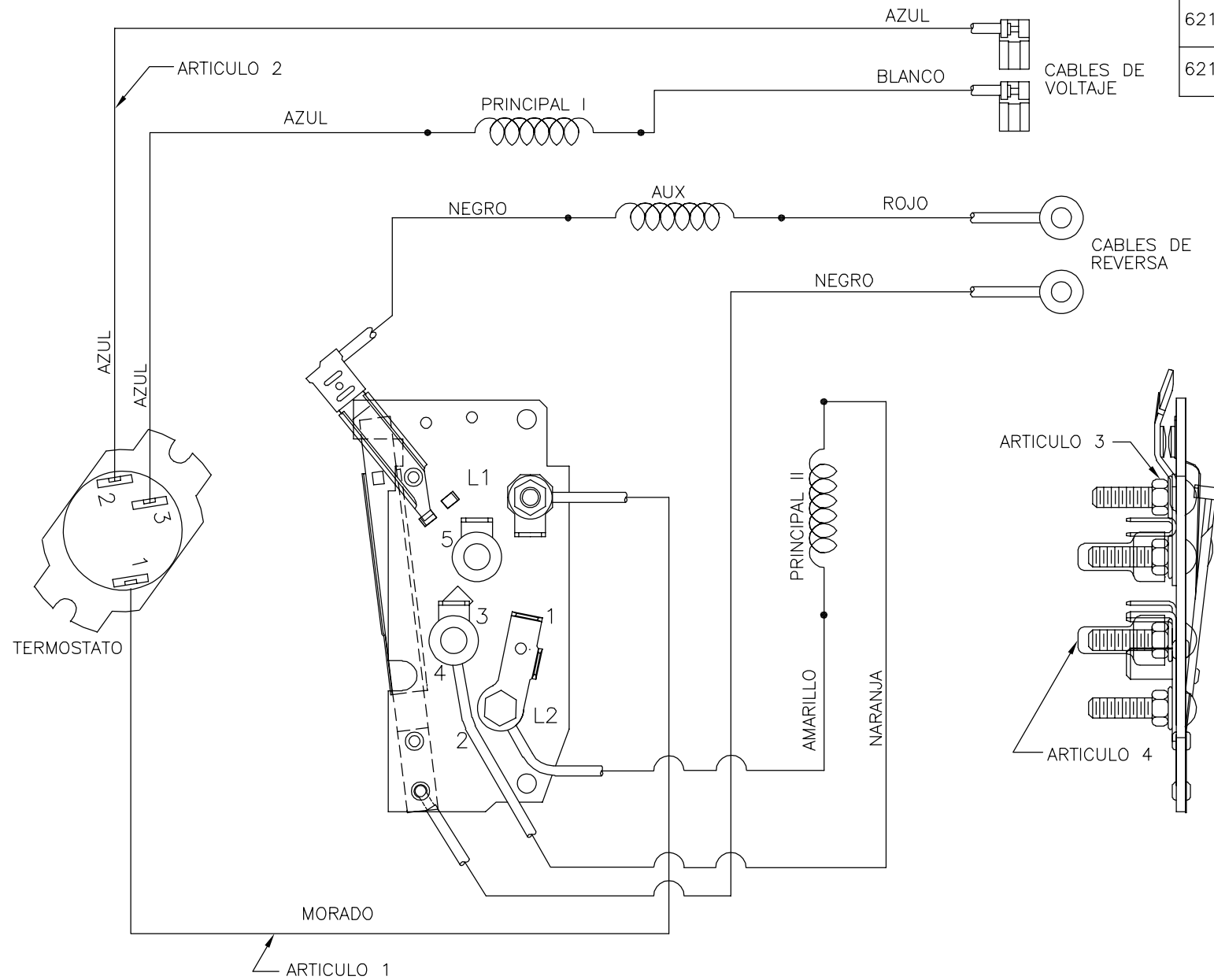
3

2

1

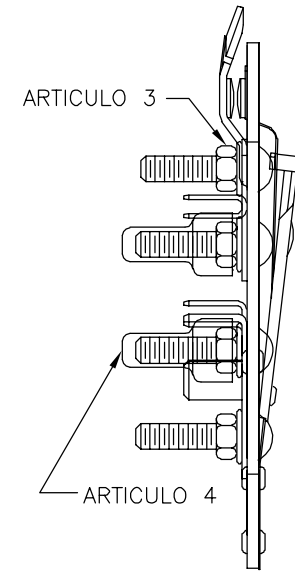
REVISION:	ECO	REVISADO POR:	FECHA:	APROBADO POR:	FECHA:
F	0007188	Lara Grado	06-22-2009	C. Contreras	06-22-2009

# DE PARTE	ROT	CONEXION	VOLTAJE	CONEXION	AVISO
621804-001A	CCW	NEGRO → 2 ROJO → 4	115	BLANCO → 1 AZUL → 3	92GR 0658
621804-001B	CW	ROJO → 2 NEGRO → 4	115	BLANCO → 1 AZUL → 3	---
621804-001C	CCW	NEGRO → 2 ROJO → 4	230	AZUL → 5 BLANCO → 3	94GR 0364
621804-001D	CW	ROJO → 2 NEGRO → 4	230	AZUL → 5 BLANCO → 3	---



NOTAS:

1. CONECTAR CABLES DE REVERSA Y DE VOLTAJE POR CONDICIONES DE GUIÓN ESPECIFICADAS EN EL BOM DEL MODELO, PARA LAS TERMINALES MARCADAS CON FLECHA VER LA TABLA DE ARRIBA.
2. ENSAMBLE DE CABLE Y TERMINAL SEGUN PS-595
3. UBICACION DE LOS CALBES DEBE SER ESCENCIALMENTE COMO SE MUESTRA.



LISTA DE PARTES

ART.	REQ	DESCRIPCION	NUMERO PARTE
1	1	CABLE	091P18-U6-065-KD
2	1	CABLE	091BL18-U6-070-HB
3	4	TUERCA, HEX-#8	368C210H05
4	2	TERMINAL-AISLANTE	167A168H01

BIBUJO. REF: 369C382H03 TABLILLA DE TERMINALES

CARACTERISTICAS DE GEOMETRIA Y SIMBOLOS

- ▭ PLANICIDAD
- RECTITUD
- ∠ ANGULARIDAD
- ⊥ PERPENDICULARIDAD (A ESCUADRA)
- // PARALELISMO
- REDONDEZ (CIRCULARIDAD)
- ⊘ CILINDRICIDAD
- △ PERFIL DE CUALQUIER SUPERFICIE
- ∧ PERFIL DE CUALQUIER LINEA
- ↑ VARIACION
- ⊕ POSICION REAL
- ◎ CONCENTRICIDAD
- = SIMETRIA

A MENOS QUE SE ESPECIFIQUE DE OTRA MANERA, LAS TOLERANCIAS DE LAS DIMS; SON LAS SIGUIENTES:

PULG ±.1 ±.02 ±.005 ±.0005  
mm ±0.5 ±0.13 ±0.013

ANG. ±50 GRADOS

ELIMINAR REBABAS Y ORILLAS FILOSAS DEL BORDE.

PULG .003-.015 mm 0.1-0.4

FILETEAR ESQUINA: PULG .020 mm 0.5

MAQUINAR SUPERFICIES

PULG 125 mm .3.2

DIMS METRICAS MOSTRADAS [PARENTESIS]

DIBUJADO POR:	SFW	02-12-2007
APROBADO POR:		
TERCER ANGULO DE PROYECCION	⊕	FECHA EDS: 02-22-2008 REV. FORMATO: F
CONFIDENCIAL: ESTE DIBUJO Y SU INFORMACION SON PROPIEDAD DE USO EXCLUSIVO Y CONFIDENCIAL DE A.O.SMITH CORP. Y NO DEBERAN SER REVELADOS, DUPLICADOS, DISTRIBUIDOS O USARSE DE OTRA MANERA SIN EL CONSENTIMIENTO ESCRITO DE A.O. SMITH CORP. -TODOS LOS DERECHOS RESERVADOS. ASME Y14.5M 1994		

**AC Smith** **ELECTRICAL PRODUCTS COMPANY**  
Innovation has a name. A DIVISION OF A. O. SMITH CORPORATION

DESCRIPCION: EXTERNAL PART-CONN. TYPE "S"

TAMAÑO: C NUMERO DE DIBUJO: 621804-001

ESCALA: NONE HOJA: 1

4

3

2

1

