

# PRODUCT INFORMATION PACKET



Model No: ARB2054L4

Catalog No: ARB2054L4

Fan and Blower Motor, 1/2 HP, 1 Ph, 60 Hz, 115/208-230 V, 1800 RPM, 56 Frame, TEAO



Regal and Century are trademarks of Regal Rexnord Corporation or one of its affiliated companies.

©2022 Regal Rexnord Corporation, All Rights Reserved. MC017097E





**Nameplate Specifications**

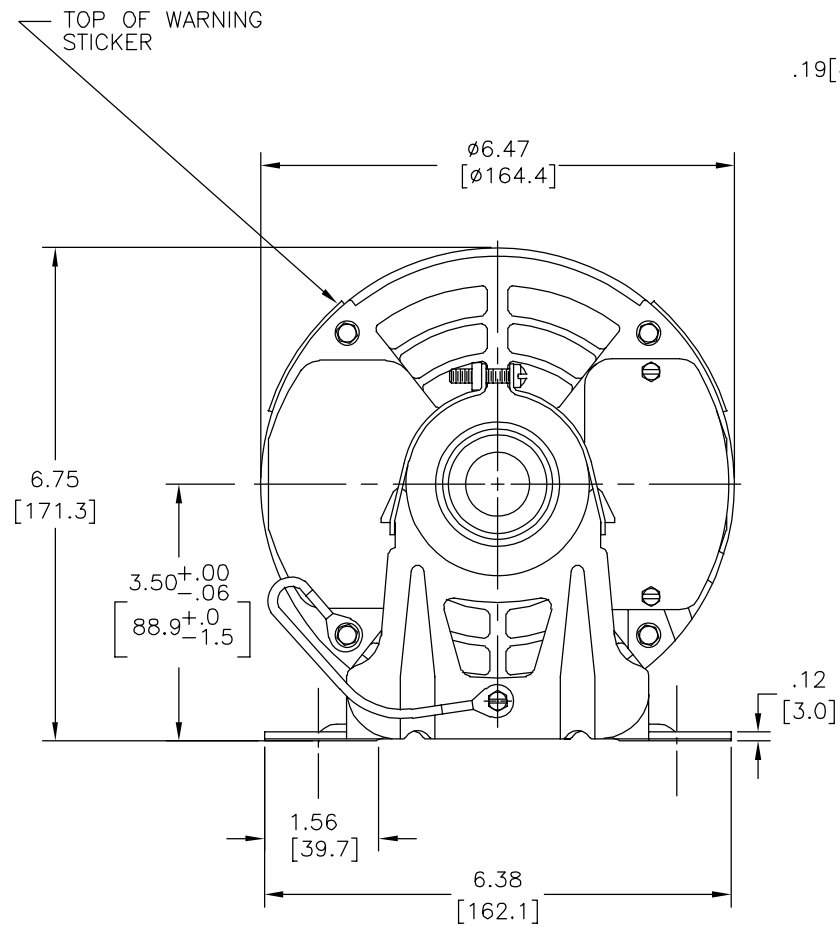
Output HP	1/2 Hp	Output KW	0.37 kW
Frequency	60 Hz	Voltage	115/208-230 V
Current	6.8/3.1-3.4 A	Speed	1725 rpm
Service Factor	1	Phase	1
Duty	Continuous	Insulation Class	B
Frame	56	Enclosure	Totally Enclosed Air Over
Thermal Protection	No Protection	Ambient Temperature	40 °C
UL	Recognized	CSA	Y
CE	N	Number of Speeds	1

**Technical Specifications**

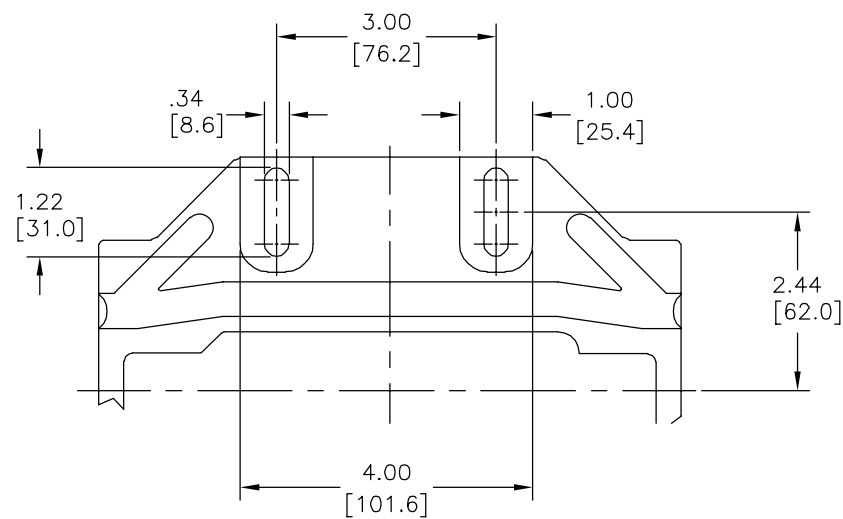
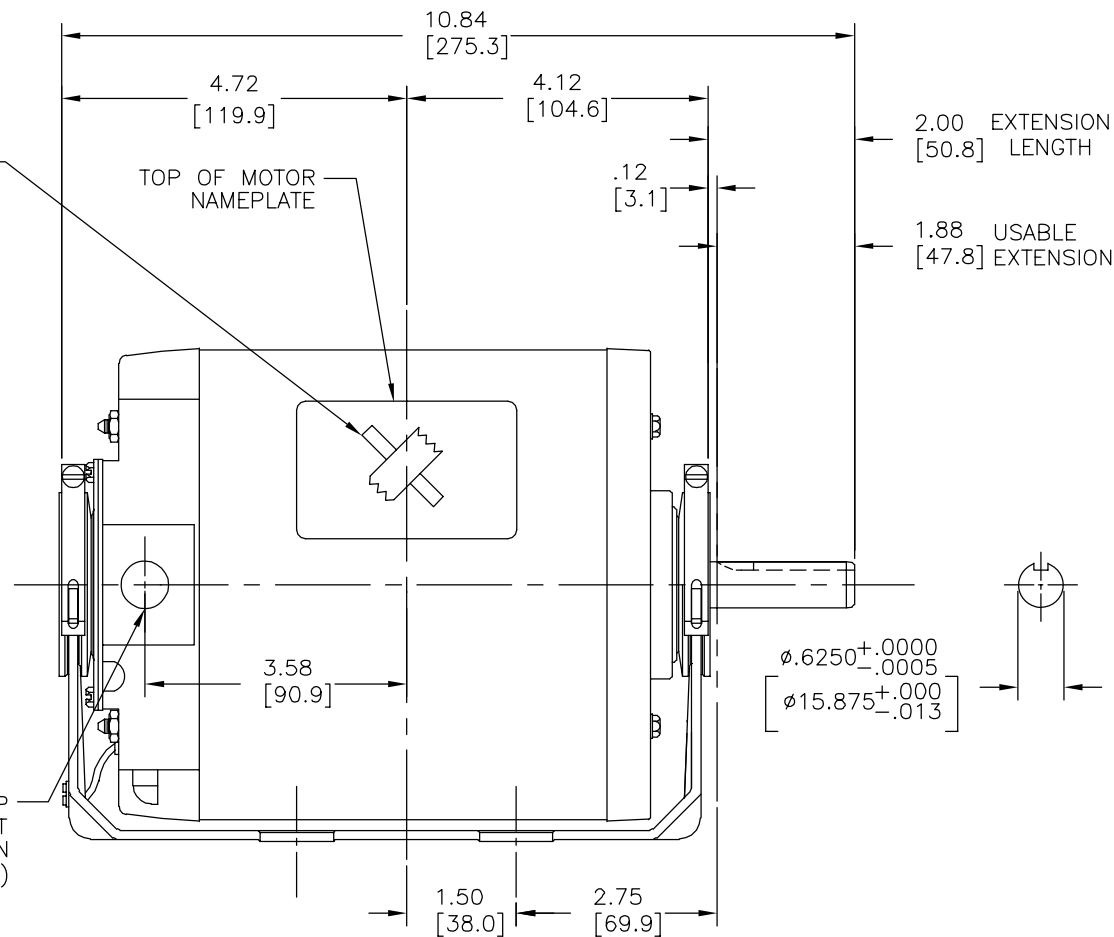
Electrical Type	Split Phase	Starting Method	Across The Line
Poles	4	Rotation	Reversible
Mounting	Resilient Base	Drive End Bearing	Ball
Opp Drive End Bearing	Ball	Frame Material	Rolled Steel
Shaft Type	Keyed	Overall Length	10.84 in
Frame Length	5.69 in	Shaft Diameter	0.625 in
Shaft Extension	2 in		
Outline Drawing	ARB2054L4-S01	Connection Drawing	619785-051C

This is an uncontrolled document once printed or downloaded and is subject to change without notice. Date Created:11/28/2022

REV	ECO	REV BY	DATE	APPD	DATE
C	0025159	VMIJARES	06-14-2012	DANIEL MUÑOZ	06-14-2012



.19[4.8] SQ X 1.38[35.1] LONG KEY



GEOMETRIC CHARACTERISTICS & SYMBOLS

- ▭ FLATNESS
- STRAIGHTNESS
- ∠ ANGULARITY
- ⊥ PERPENDICULARITY (SQUARENESS)
- // PARALLELISM
- ROUNDNESS (CIRCULARITY)
- ⊘ CYLINDRICITY
- △ PROFILE OF ANY SURFACE
- ∧ PROFILE OF ANY LINE
- ↶ RUNOUT
- ⊕ TRUE POSITION
- ◎ CONCENTRICITY
- ≡ SYMMETRY

ASME Y14.5M 1994

UNLESS OTHERWISE SPECIFIED DIM. TOLERANCES ARE AS FOLLOWS:

INCH	±.1	±.02	±.005	±.0005
mm	±0.5	±0.13	±0.013	

ANG. ±.50 DEG  
REMOVE BURRS & BREAK SHARP EDGES:  
INCH .003-.015 mm 0.1-0.4  
CORNER FILLETS TO:  
INCH .020 mm 0.5  
MACHINE SURFACES:  
INCH 125 mm 3.2

METRIC DIMS. SHOWN IN [BRACKETS]

DR BY: SKY.H 09-10-2008

APPD:

THIRD ANGLE PROJECTION

EDS DATE 11-11-2011  
FORMAT REV H

CONFIDENTIAL: THIS DRAWING AND ITS INFORMATION ARE THE EXCLUSIVE AND CONFIDENTIAL PROPERTY OF REGAL-BELOIT CORPORATION AND ARE NOT TO BE DISCLOSED, DUPLICATED, DISTRIBUTED OR OTHERWISE USED WITHOUT THE WRITTEN CONSENT OF REGAL-BELOIT CORPORATION. -ALL RIGHTS RESERVED.

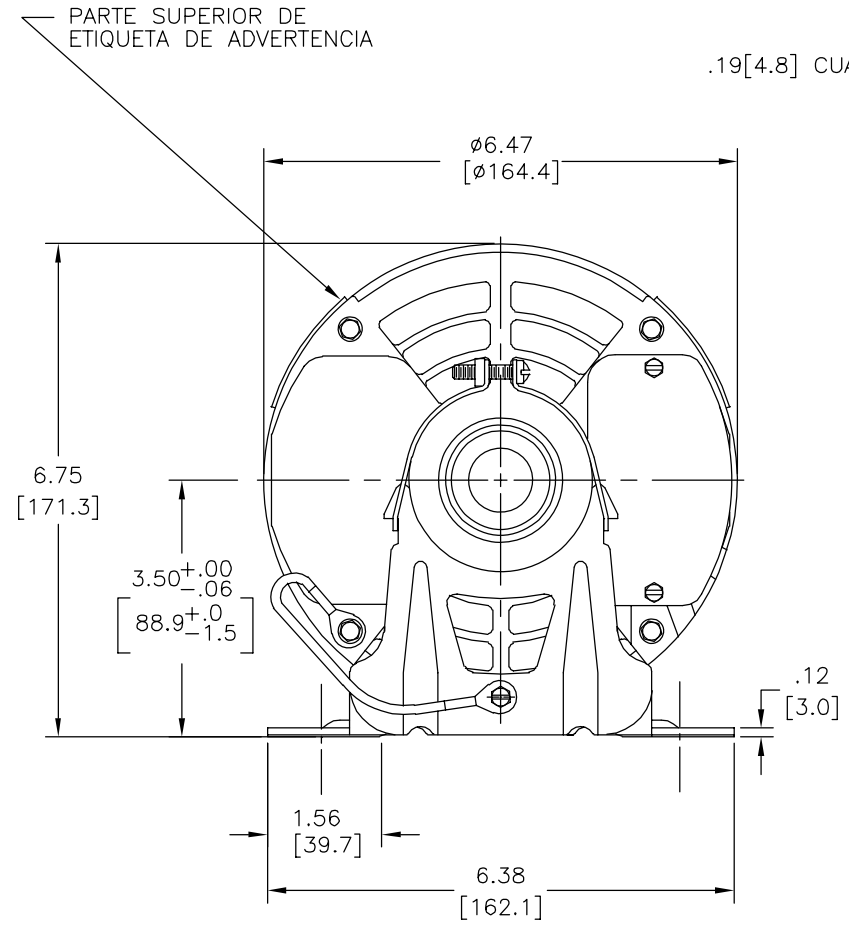
**REGAL** REGAL-BELOIT CORPORATION

DESCRIPTION: MODEL-CFHP-56FR OUTLINE

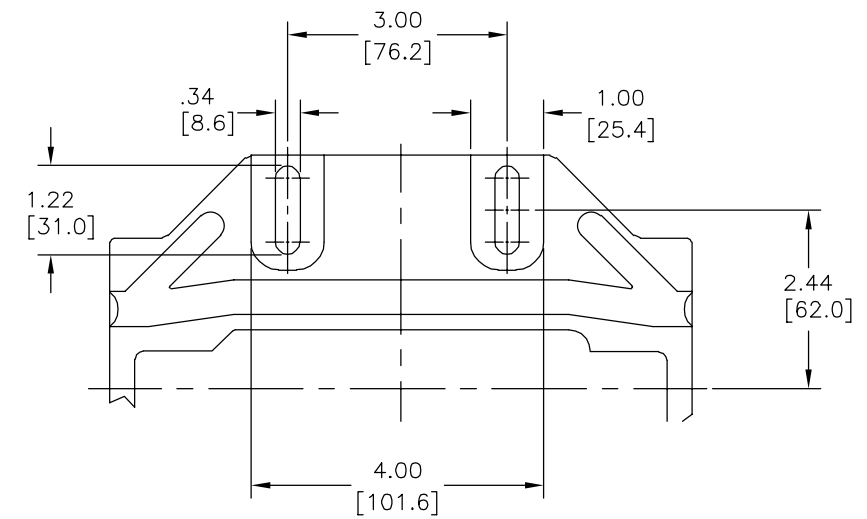
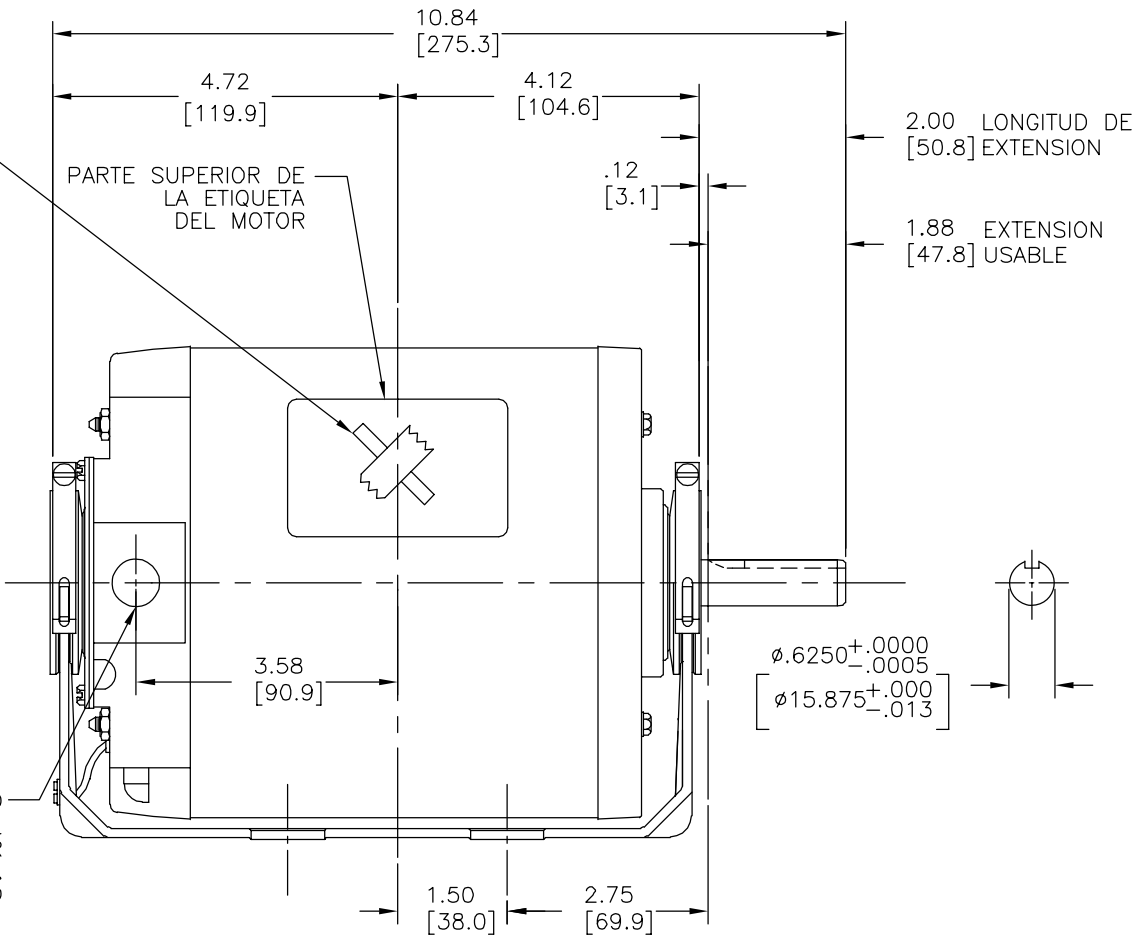
SIZE C DWG NO ARB2054L4

SCALE NONE SHEET 1

REVISION:	ECO	REVISADO POR:	FECHA:	APROBADO POR:	FECHA:
C	0025159	VMIJARES	06-14-2012	DANIEL MUÑOZ	06-14-2012



.19[4.8] CUADRADO X 1.38[35.1] LONGITUD DE CUÑA



CARACTERISTICAS DE GEOMETRIA Y SIMBOLOS

- ▧ PLANICIDAD
- RECTITUD
- ∠ ANGULARIDAD
- ⊥ PERPENDICULARIDAD (A ESCUADRA)
- // PARALELISMO
- REDONDEZ (CIRCULARIDAD)
- ⊘ CILINDRICIDAD
- △ PERFIL DE CUALQUIER SUPERFICIE
- ∧ PERFIL DE CUALQUIER LINEA
- ∧ VARIACION
- ⊕ POSICION REAL
- ◎ CONCENTRICIDAD
- = SIMETRIA

ASME Y14.5M 1994

A MENOS QUE SE ESPECIFIQUE DE OTRA MANERA, LAS TOLERANCIAS DE LAS DIMS. SON LAS SIGUIENTES:

PULG ±.1 ±.02 ±.005 ±.0005  
mm ±0.5 ±0.13 ±0.013

ANG. ± 50 GRADOS

ELIMINAR REBABAS Y ORILLAS FILOSAS DEL BORDE.

PULG .003-.015 mm 0.1-0.4

FILETEAR ESQUINA: PULG .020 mm 0.5

MAQUINAR SUPERFICIES

PULG 125 mm 3.2

DIMS METRICAS MOSTRADAS [PARENTESIS]

DIBUJADO POR: SKY.H 09-10-2008

APROBADO POR:

TERCER ANGULO DE PROYECCION

FECHA EDS: 11-11-2011

REV. FORMATO: H

CONFIDENCIAL: ESTE DIBUJO Y SU INFORMACION SON PROPIEDAD DE USO EXCLUSIVO Y CONFIDENCIAL DE REGAL-BELOIT CORPORATION. Y NO DEBERAN SER REVELADOS, DUPLICADOS, DISTRIBUIDOS O USARSE DE OTRA MANERA SIN EL CONSENTIMIENTO ESCRITO DE REGAL-BELOIT CORPORATION. -TODOS LOS DERECHOS RESERVADOS.

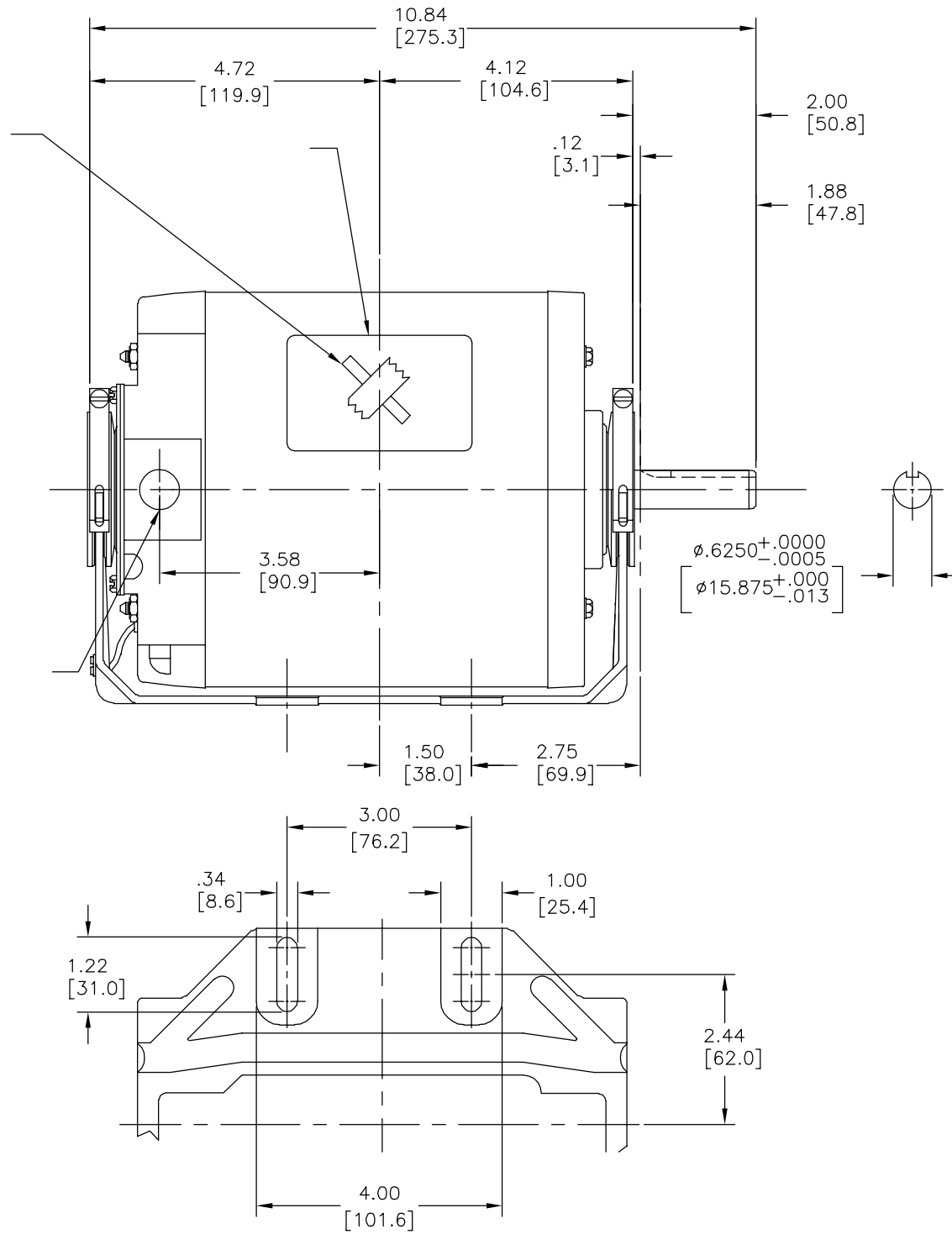
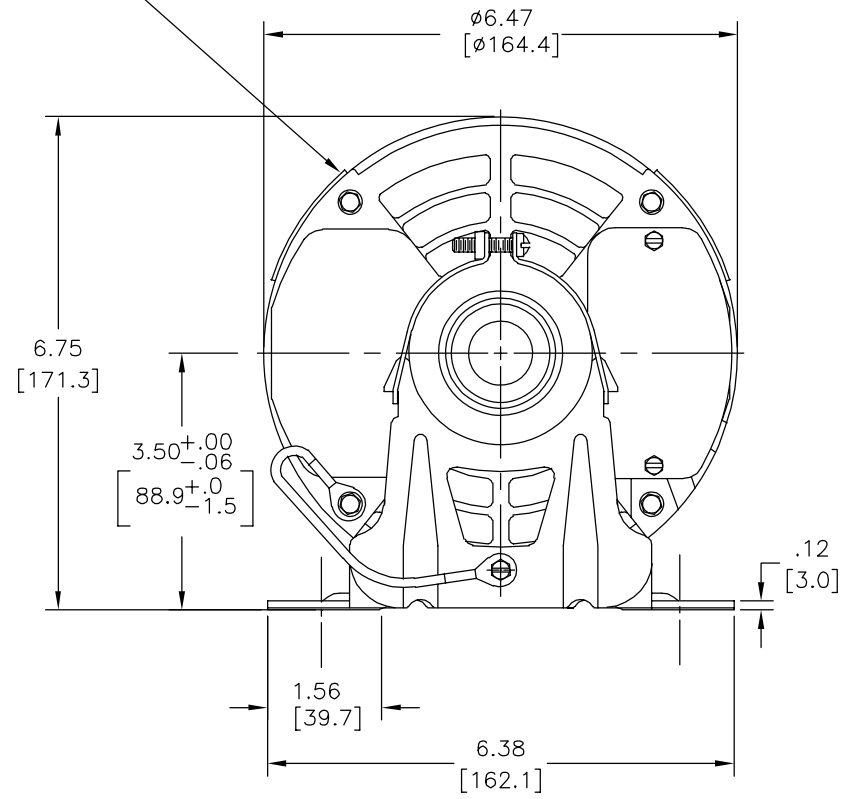
**REGAL** REGAL-BELOIT CORPORATION

DESCRIPCION: MODEL-CFHP-56FR OUTLINE

TAMAÑO: C NUMERO DE DIBUJO: ARB2054L4

ESCALA: NONE HOJA: 1

版本	ECO	编制	日期	批准	日期
C	0025159	VMIJARES	06-14-2012	DANIEL MUÑOZ	06-14-2012



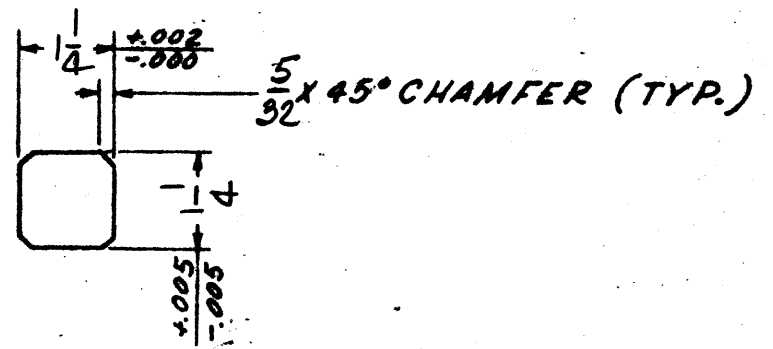
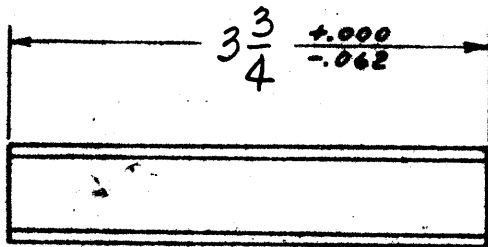
形位公差	除另有注明
□ 平面度	尺寸公差如下:
— 直线度	英寸 X XX XXX XXXX
∠ 倾斜度	毫米 ±0.1 ±0.02 ±0.005 ±0.0005
⊥ 垂直度	毫米 ±0.5 ±0.13 ±0.013
// 平行度	角度 ±.50 度
○ 圆度	清理毛刺和尖棱
⊘ 圆柱度	英寸 .003-.015 毫米 0.1-0.4
△ 面轮廓度	内圆角
∇ 线轮廓度	英寸 .020 毫米 0.5
↗ 圆跳动	表面粗糙度
⊕ 位置度	英制 125 米制 3.2
⊙ 同轴度	米制尺寸显示在 [ ]
≡ 对称度	

ASME Y14.5M 1994

绘图:	SKY.H	09-10-2008
批准:		
第三角投影		图纸格式发布日期 11-11-2011 图纸格式版本 H
机密: 本图纸及相关信息所有权归REGAL-BELOIT CORPORATION. 未经REGAL-BELOIT CORPORATION书面授权, 不得泄露、复制、传播或作其他用途。一版权所有		

		REGAL-BELOIT CORPORATION
名称		
MODEL-CFHP-56FR OUTLINE		
图幅	C	图号
比例	NONE	ARB2054L4
		页号 1

REVISIONS							SUPERSEDED BY		LIMITS UNLESS NOTED	
SYM.	REQ. CHGS.	DESCRIPTION	E.C. NO.	BY	DATE	CHKD.	SUPERSEDES		FRACTIONAL DIMENSIONS	
									BETWEEN FINISHED SURFACES	± .015
									BETWEEN UNFINISHED SURFACES	± .050
									BETWEEN FINISHED AND UNFINISHED SURFACES	± .000
									BREAK ALL SHARP EDGES	.015 MAX.
									ANGLES ± 1/2°	



MAT'L = KEYSTOCK

SCANNED  
"A-SIZE DRAWING"

SCALE <i>NONE</i>	DATE	GEAR PRODUCTS OPERATIONS <b>HEWITT-ROBINS</b> <small>INCORPORATED</small> A DIVISION OF LITTON INDUSTRIES	KEY-SPECIAL CHAMFERED INT.	DWG. SIZE	795619785	REV.
DRAWN BY <i>D</i>	<i>9-5-69</i>			A		
CHECKED BY						
APPROVED BY						