

PRODUCT INFORMATION PACKET



Model No: B124
Catalog No: B124
Pool Pump Motor, 2.0 HP, 1 Ph, 60 Hz, 230 V, 3600 RPM, X56C Frame, DP



Regal and Century are trademarks of Regal Rexnord Corporation or one of its affiliated companies.
©2022 Regal Rexnord Corporation, All Rights Reserved. MC017097E





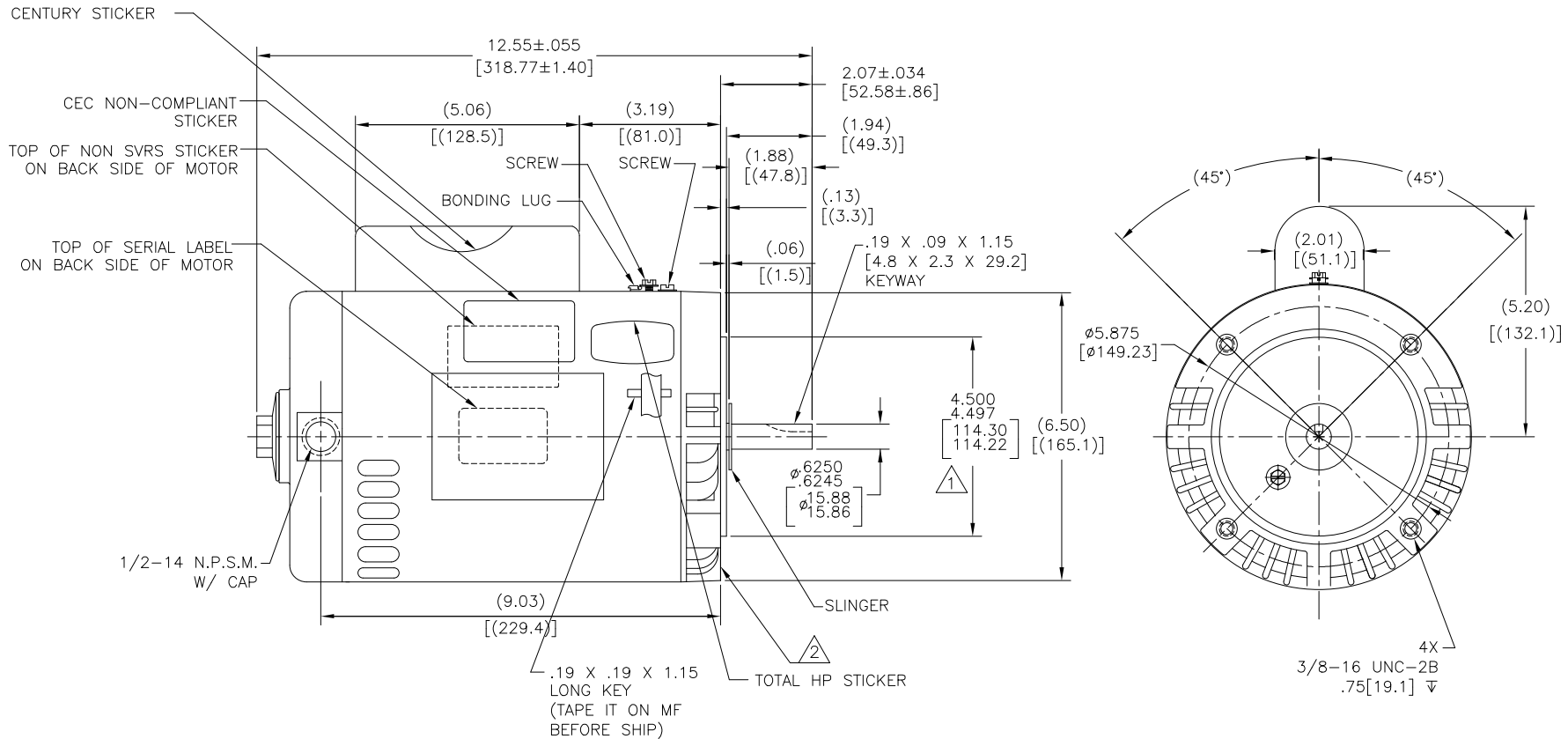
Nameplate Specifications

Output HP	2.0 Hp	Output KW	1.5 kW
Frequency	60 Hz	Voltage	230 V
Current	SF 10.5 A	Speed	3450 rpm
Service Factor	1.2	Phase	1
Duty	Continuous	Insulation Class	B
Frame	X56C	Enclosure	Drip Proof
Thermal Protection	Thermally Protected	Ambient Temperature	50 °C
UL	Recognized	CSA	Y
Number of Speeds	1		

Technical Specifications

Electrical Type	Permanent Split Capacitor, Single Or Dual Voltage	Poles	2
Rotation	Counterclockwise Pump End	Mounting	Round
Motor Orientation	Horizontal	Drive End Bearing	Ball
Opp Drive End Bearing	Ball	Frame Material	Rolled Steel
Shaft Type	5/8 Keyed	Overall Length	12.55 in
Frame Length	7.50 in	Shaft Diameter	0.625 in
Shaft Extension	2.07 in		
Outline Drawing	B124-S01	Connection Drawing	17050319.PCX

This is an uncontrolled document once printed or downloaded and is subject to change without notice. Date Created:11/28/2022



NAMEPLATE DATA	EXTERNAL CONNECTION DIAGRAM	NOTES
MODEL: 159987 CUST PN: B124 HP: 2.0 SF: 1.2 ROT: CCWPE RPM: 3450 TYPE: CX CODE: G FORM: FRAME: X 56 C VOLTS: 230 AMPS: MAX AMPS: SF AMPS: 10.5 PH: 1 HZ: 60 INS: B AMB: 50°C DUTY: CONT ENCLOSURE: ODP THERMALLY PROTECTED	17050319 <p>○ B ○ L1 — LINE WHITE — ○ L2 — LINE ○ A NON-REVERSIBLE</p>	1. PILOT DIAMETER IS CONCENTRIC WITH SHAFT CENTERLINE WITHIN .004 [.10] T.I.R. 2. FACE OF MOUNTING FLANGE IS PERPENDICULAR TO SHAFT 3. SHAFT RUNOUT NOT TO EXCEED .002 [.05] T.I.R 4. END PLAY NOT TO EXCEED .010 [.25] MEASURED WITH NO THRUST 5. FINISH PAINT TO BE BLACK

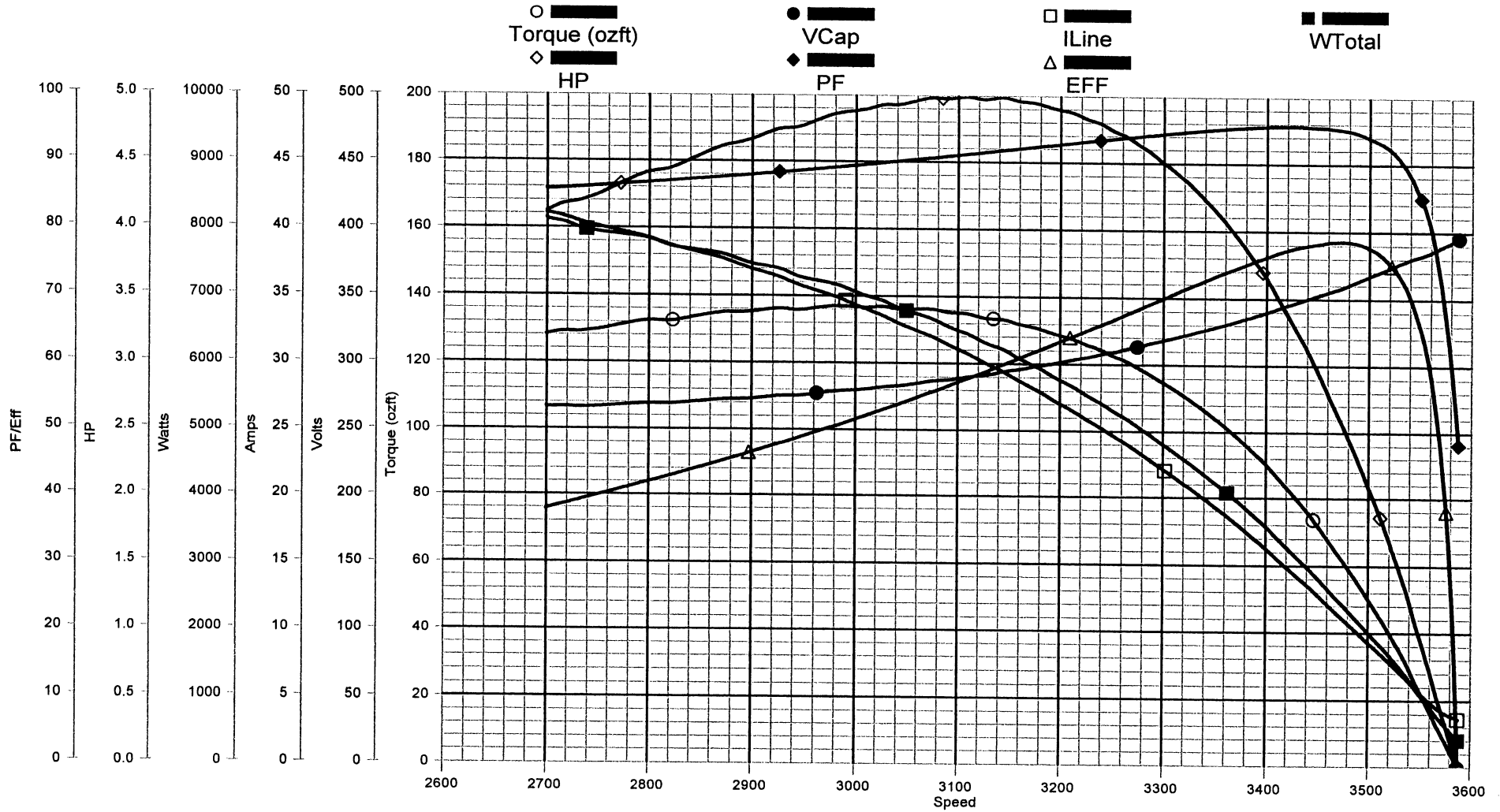
PERFORMANCE CURVE	APPROVED SAMPLE		
15593311			
UL COMPONENT	CSA		
FILE#	CCN#	FILE#	GUIDE#
E14663	XZWR2	LR4642	4211-01
CUSTOMER	DISTRIBUTION		

DRAWING REVISION	REVISION BY	DATE	TOLERANCES UNLESS OTHERWISE SPECIFIED	DRAWN BY:	Regal Beloit America, Inc.
F	D.SURYAWANSHI	07/13/2021	DEC. INCH mm ANGLE	KHR	
ECO	APPROVED BY	DATE	.X ±0.1 [±2.5] ±0.5°	DATE:	08-30-2005
ECO-0211007			.XX ±0.02 [±0.51]	APPROVED BY:	JMW
SEE ECR			.XXX ±0.005 [±0.127]	DATE:	02-28-2006
			.XXXX ±0.0005 [±0.0127]	REFERENCE	
			REMOVE BURRS & BREAK SHARP EDGES .003/.015 [0.076/.381]	MATERIAL	
			CORNER FILLETS .02 [51]	PROCESS/FINISH	
			MACHINED SURFACES .125/32 mm	SIZE DWG NO	B124
			mm SHOWN IN [BRACKETS]	THIRD ANGLE PROJECTION	
				SHEET	1

AO Smith

Performance Down Project: 0345668 (High Speed)

Wednesday, October 08, 2003 12:12 AM



TRACKING #: 10017657
 SBU: Pump
 ENGINEER: DWAYNE FOX
 TECHNICIAN: DAN
 BENCH: 2
 TORQUE CELL: 350 lb-in
 NP RPM: 3450
 # SPEEDS: 1
 MOTOR #: 1
 TYPE: CX

CUSTOMER:
 MODEL: 0345668A
 FRAME: X56J
 PHASES: 1
 HP: 2.50
 VOLTS: 230.0
 HERTZ: 60
 START CAP: 0.00
RUN CAP: 25.00
 COMMENT3:

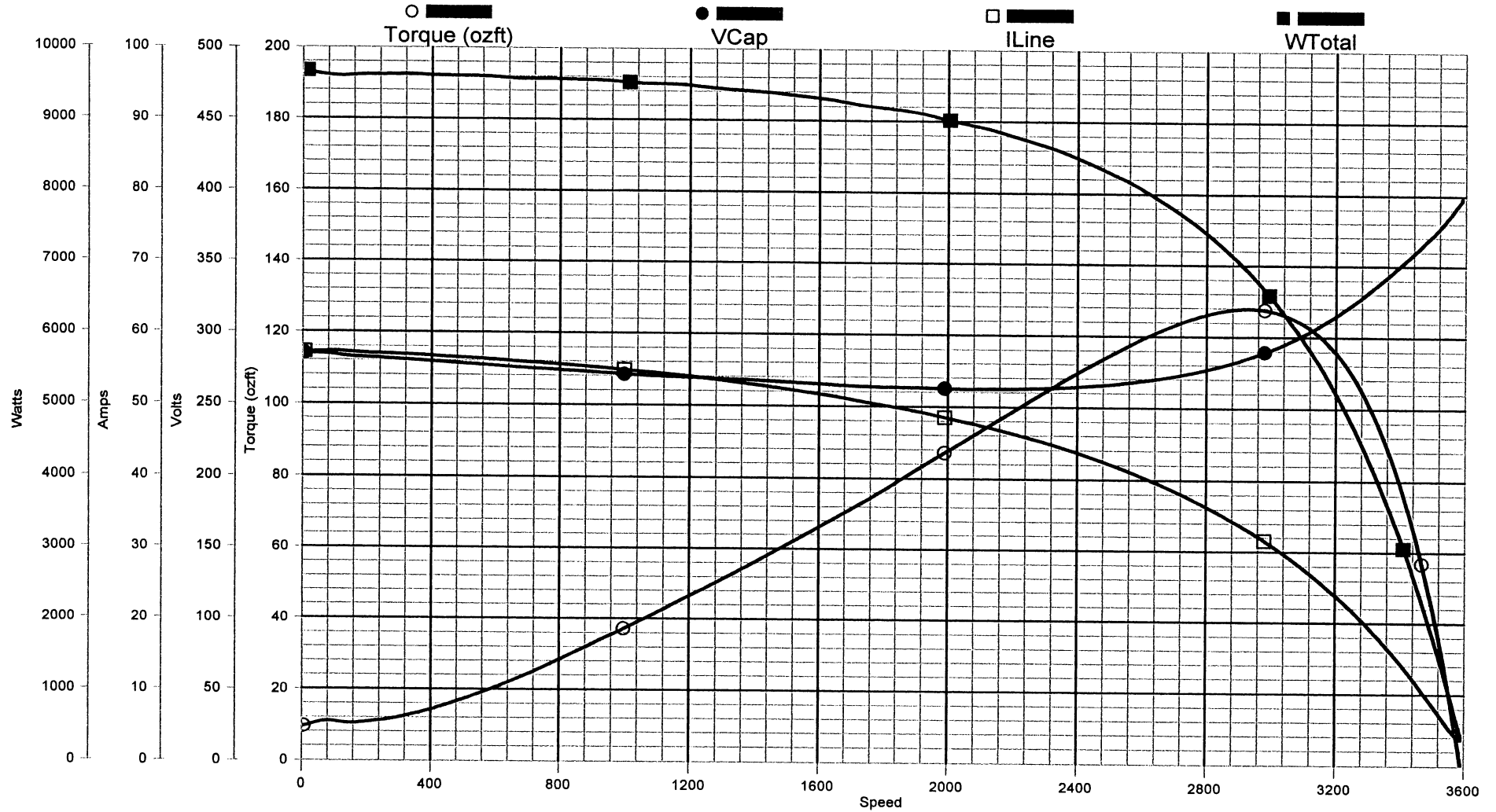
LOCK AMPS: 57.0A
 LOCK TORQUE: 12.0 oz-ft
 'BREAKDOWN TORQUE: 136.7 oz-ft

DESCRIPTION: OFFSET
 BDT: 136.83
 MT: 136.97
 SF: 0.00
 LRT: 0.00
 LRA: 0.00
 PUT: 0.00
 COMMENT1:
 COMMENT2:
 COMMENT4:

AO Smith

Performance Up Project: 0345668 (High Speed)

Wednesday, October 08, 2003 12:22 AM



TRACKING #: 10017657
 SBU: Pump
 ENGINEER: DWAYNE FOX
 TECHNICIAN: DAN
 BENCH: 2
 TORQUE CELL: 350 lb-in
 NP RPM: 3450
 # SPEEDS: 1
 MOTOR #: 1
 TYPE: CX

CUSTOMER:
 MODEL: 0345668A
 FRAME: X56J
 PHASES: 1
 HP: 2.50
 VOLTS: 230.0
 HERTZ: 60
 START CAP: 0.00
RUN CAP: 25.00
 COMMENT3:

DESCRIPTION: 0-SYNC
 BDT: 127.85
 MT: 127.85
 SF: 0.00
 LRT: 9.30
 LRA: 57.25
 PUT: 9.30
 COMMENT1:
 COMMENT2:
 COMMENT4: