

PRODUCT INFORMATION PACKET



Model No: B176
Catalog No: B176

Pressure Washer Motor, 1.5 HP, 1 Ph, 60 Hz, 115/230 V, 3600 RPM, K56 Frame, DP



Regal and Century are trademarks of Regal Rexnord Corporation or one of its affiliated companies.
©2022 Regal Rexnord Corporation, All Rights Reserved. MC017097E





Nameplate Specifications

Output HP	1.5 Hp	Output KW	1.1 kW
Frequency	60 Hz	Voltage	115/230 V
Current	13.0/6.5 A	Speed	3450 rpm
Service Factor	1.15	Phase	1
Duty	Continuous	Insulation Class	B
Frame	K56	Enclosure	Drip Proof
Thermal Protection	Thermally Protected	Ambient Temperature	40 °C
UL	Recognized	CSA	Y
CE	N	Number of Speeds	1

Technical Specifications

Electrical Type	Capacitor Start, Capacitor Run, Single Or Dual Voltage	Starting Method	Across The Line
Poles	2	Rotation	Reversible Counterclockwise
Mounting	Rigid Base	Drive End Bearing	Ball
Opp Drive End Bearing	Ball	Frame Material	Rolled Steel
Shaft Type	Keyed	Overall Length	11.44 in
Frame Length	5.50 in	Shaft Diameter	0.625 in
Shaft Extension	1.94 in		
Connection Drawing	17050301.PCX	Outline Drawing	17910007

This is an uncontrolled document once printed or downloaded and is subject to change without notice. Date Created:11/29/2022

4

3

2

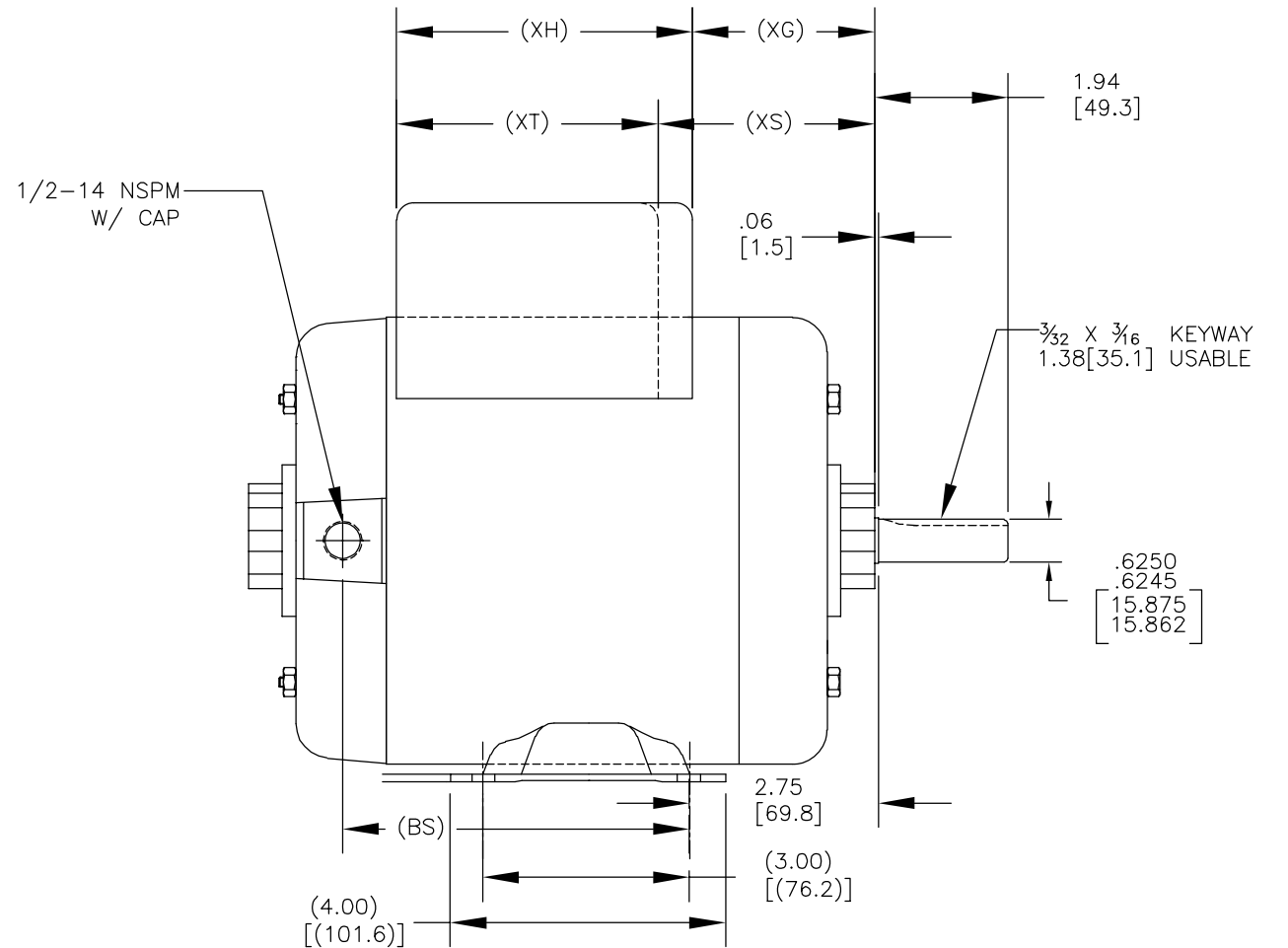
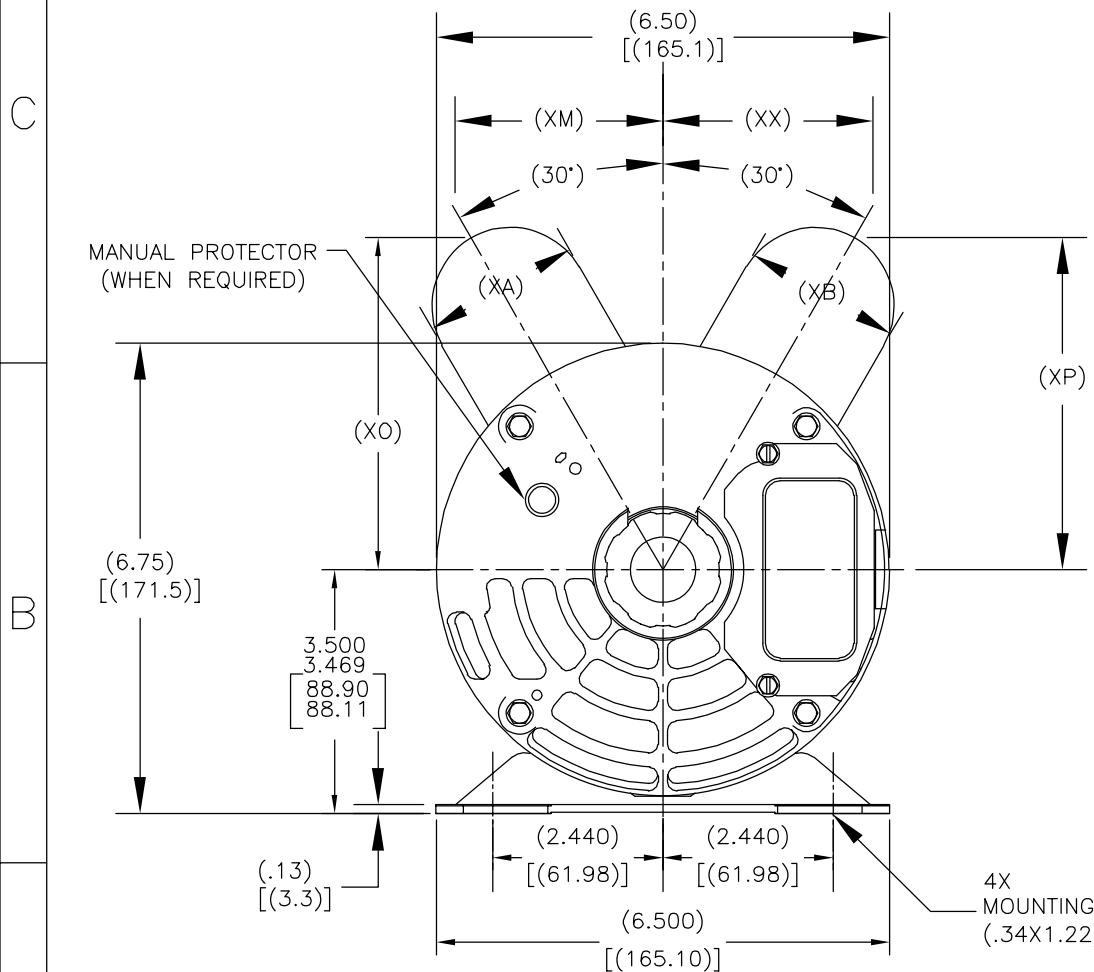
1

REV	ECO	REV BY	DATE	APPD	DATE
N	ECO-0025365	T.HUANG	04-17-2012	B.C.SHEN	04-17-2012

GRP.	TYPE	FRAME	FORM	C	(BS)	(XA)	(XB)	(XG)	(XH)	(XM)	(XX)	(XO)	(XP)	(XS)	(XT)
-01	CP	N56	K	13.19 [335.0]	7.12 [180.8]	2.01 [51.1]	2.27 [57.7]	3.72 [94.5]	5.30 [134.6]	3.11 [79.0]	3.33 [84.6]	4.65 [118.1]	4.91 [124.7]	3.97 [100.8]	5.06 [128.5]
-02	CP	U56	K	12.94 [328.7]	6.87 [174.5]	2.01 [51.1]	2.27 [57.7]	3.47 [88.1]	5.30 [134.6]	3.11 [79.0]	3.33 [84.6]	4.65 [118.1]	4.91 [124.7]	3.72 [94.5]	5.06 [128.5]
-03	CP	M56	K	12.69 [322.3]	6.62 [168.1]	2.01 [51.1]	2.01 [51.1]	4.47 [113.5]	4.06 [103.1]	3.10 [78.74]	3.10 [78.74]	4.64 [117.9]	4.64 [117.9]	3.47 [88.1]	5.06 [128.5]
-04	CP	L56	K	12.19 [309.6]	6.11 [155.2]	2.01 [51.1]	1.64 [41.7]	3.95 [100.3]	4.08 [103.6]	3.12 [79.2]	4.34 [110.2]	4.66 [118.4]	4.34 [110.2]	2.96 [75.2]	5.06 [128.5]
-05	CP	M56	K	12.69 [322.3]	6.62 [168.1]	2.01 [51.1]	2.27 [57.7]	3.22 [81.8]	5.30 [134.6]	3.11 [79.0]	3.33 [84.6]	4.65 [118.1]	4.91 [124.7]	3.47 [88.1]	5.06 [128.5]
-06	CP	K56	K	11.44 [290.6]	5.36 [136.1]	2.01 [51.1]	2.01 [51.1]	3.22 [81.8]	4.06 [103.1]	3.10 [78.74]	3.10 [78.74]	4.64 [117.9]	4.64 [117.9]	2.22 [56.4]	5.06 [128.5]
-07	CP	K56	K	11.44 [290.6]	5.36 [136.1]	2.27 [57.7]	2.01 [51.1]	3.22 [81.8]	4.06 [103.1]	3.10 [78.74]	3.10 [78.74]	4.64 [117.9]	4.64 [117.9]	1.97 [50.0]	5.06 [128.5]
-08	CP	M56	K	12.69 [322.3]	6.62 [168.1]	2.01 [51.1]	1.64 [41.7]	4.46 [113.3]	4.08 [103.6]	3.25 [82.6]	2.84 [71.4]	4.90 [124.5]	4.33 [110.0]	3.47 [88.1]	5.06 [128.5]

ALL DIMENSIONS SHOWN IN PARENTHESIS ARE REFERENCE DIMENSIONS. ALL OTHER DIMENSIONS ARE TOLERANCED PER THE FOLLOWING CHART UNLESS OTHERWISE SPECIFIED.

"C" DIM. = ±.055[±1.40]
 SHAFT EXT. = ±.034[±.86]
 LEAD LENGTHS = ±1.00[±25.4]
 EXTENDED
 THRU-BOLTS = ±.050[±1.27]
 ANGULAR DIMS = ± 2'



GEOMETRIC CHARACTERISTICS & SYMBOLS

- ▭ FLATNESS
- STRAIGHTNESS
- ∠ ANGULARITY
- ⊥ PERPENDICULARITY (SQUARENESS)
- ∥ PARALLELISM
- ROUNDNESS (CIRCULARITY)
- ⊘ CYLINDRICITY
- △ PROFILE OF ANY SURFACE
- ∩ PROFILE OF ANY LINE
- ↗ RUNOUT
- ⊕ TRUE POSITION
- ◎ CONCENTRICITY
- = SYMMETRY

ASME Y14.5M 1994

UNLESS OTHERWISE SPECIFIED DIM. TOLERANCES ARE AS FOLLOWS:

	X	XX	XXX	XXXX
INCH	±.1	±.02	±.005	±.0005
mm	±0.5	±0.13	±0.013	

ANG. ±.50 DEG
 REMOVE BURRS & BREAK SHARP EDGES:
 INCH .003-.015 mm 0.1-0.4
 CORNER FILLETS TO:
 INCH .020 mm 0.5
 MACHINE SURFACES:
 INCH 125 mm 3.2

METRIC DIMS. SHOWN IN [BRACKETS]

DR BY: SAS 07-18-1990
 APPD: MLC 07-27-1990
 EDS DATE 11-11-2011
 FORMAT REV G

THIRD ANGLE PROJECTION

CONFIDENTIAL: THIS DRAWING AND ITS INFORMATION ARE THE EXCLUSIVE AND CONFIDENTIAL PROPERTY OF REGAL-BELOIT CORPORATION AND ARE NOT TO BE DISCLOSED, DUPLICATED, DISTRIBUTED OR OTHERWISE USED WITHOUT THE WRITTEN CONSENT OF REGAL-BELOIT CORPORATION. -ALL RIGHTS RESERVED.

REGAL-BELOIT CORPORATION

DESCRIPTION: **OUTLINE**

SIZE: C DWG NO: 179100

SCALE: NONE SHEET: 1

4

3

2

1

4

3

2

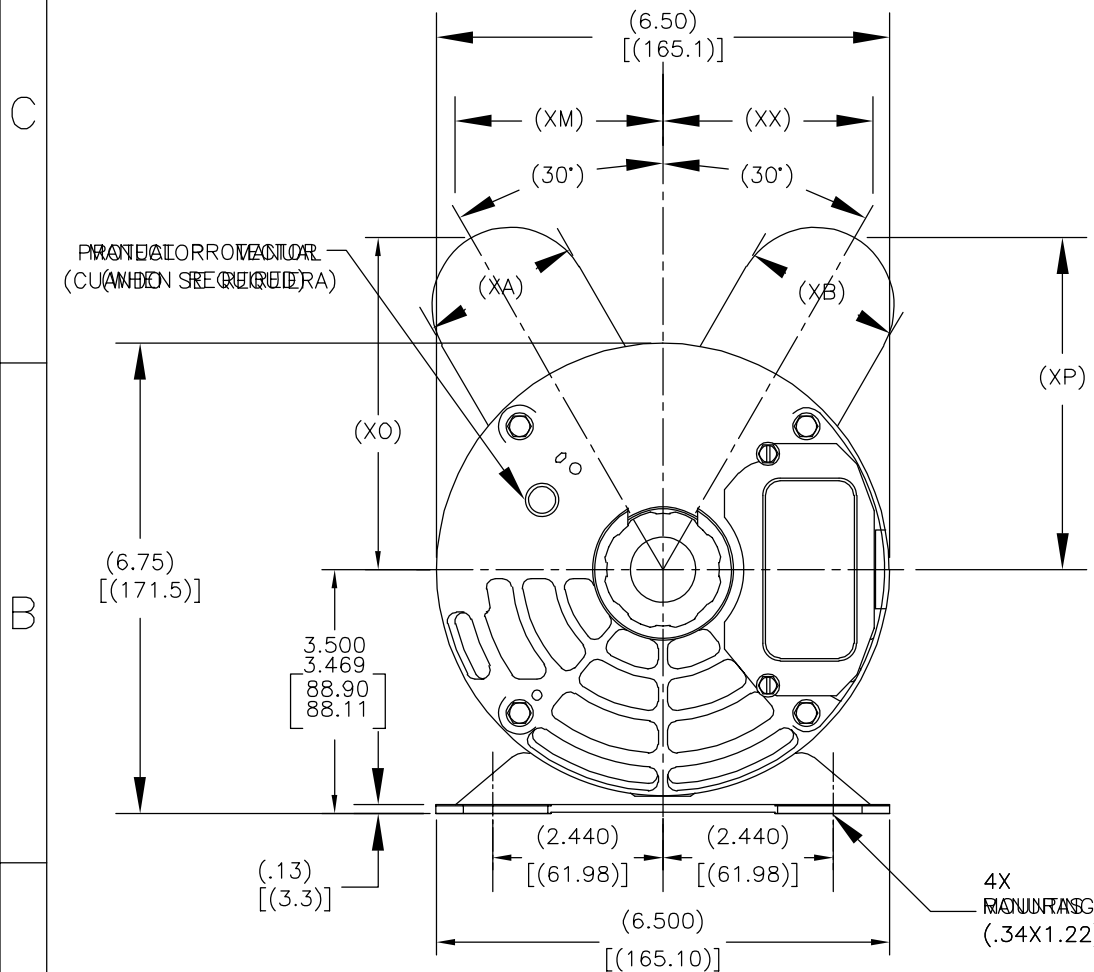
1

REVISION:	ECO	REVISADO POR:	FECHA:	APROBADO POR:	FECHA:
N	ECO-0025365	T.HUANG	04-17-2012	B.C.SHEN	04-17-2012

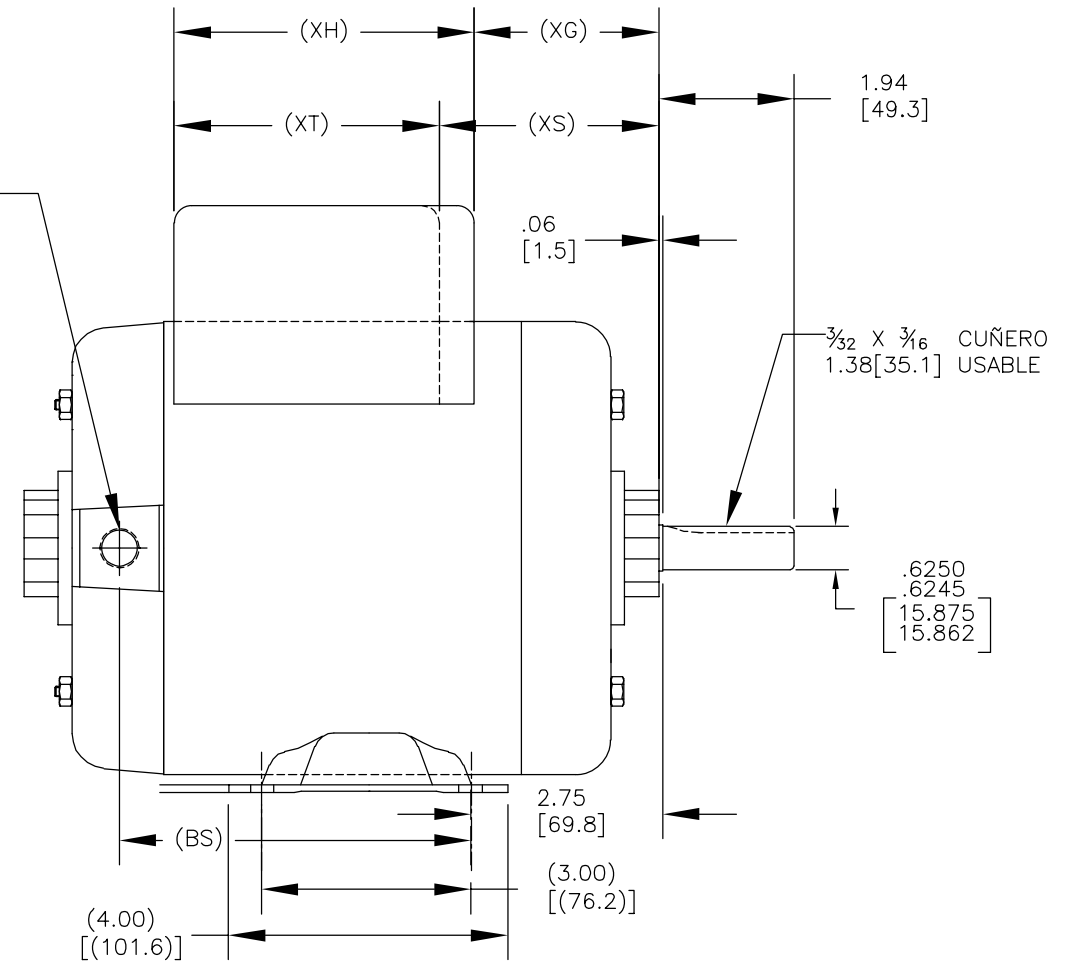
GRP.	TIPO	CARCAZA	FORMA	C	(BS)	(XA)	(XB)	(XG)	(XH)	(XM)	(XX)	(XO)	(XP)	(XS)	(XT)
-01	CP	N56	K	13.19 [335.0]	7.12 [180.8]	2.01 [51.1]	2.27 [57.7]	3.72 [94.5]	5.30 [134.6]	3.11 [79.0]	3.33 [84.6]	4.65 [118.1]	4.91 [124.7]	3.97 [100.8]	5.06 [128.5]
-02	CP	U56	K	12.94 [328.7]	6.87 [174.5]	2.01 [51.1]	2.27 [57.7]	3.47 [88.1]	5.30 [134.6]	3.11 [79.0]	3.33 [84.6]	4.65 [118.1]	4.91 [124.7]	3.72 [94.5]	5.06 [128.5]
-03	CP	M56	K	12.69 [322.3]	6.62 [168.1]	2.01 [51.1]	2.01 [51.1]	4.47 [113.5]	4.06 [103.1]	3.10 [78.74]	3.10 [78.74]	4.64 [117.9]	4.64 [117.9]	3.47 [88.1]	5.06 [128.5]
-04	CP	L56	K	12.19 [309.6]	6.11 [155.2]	2.01 [51.1]	1.64 [41.7]	3.95 [100.3]	4.08 [103.6]	3.12 [79.2]	4.34 [110.2]	4.66 [118.4]	4.34 [110.2]	2.96 [75.2]	5.06 [128.5]
-05	CP	M56	K	12.69 [322.3]	6.62 [168.1]	2.01 [51.1]	2.27 [57.7]	3.22 [81.8]	5.30 [134.6]	3.11 [79.0]	3.33 [84.6]	4.65 [118.1]	4.91 [124.7]	3.47 [88.1]	5.06 [128.5]
-06	CP	K56	K	11.44 [290.6]	5.36 [136.1]	2.01 [51.1]	2.01 [51.1]	3.22 [81.8]	4.06 [103.1]	3.10 [78.74]	3.10 [78.74]	4.64 [117.9]	4.64 [117.9]	2.22 [56.4]	5.06 [128.5]
-07	CP	K56	K	11.44 [290.6]	5.36 [136.1]	2.27 [57.7]	2.01 [51.1]	3.22 [81.8]	4.06 [103.1]	3.10 [78.74]	3.10 [78.74]	4.64 [117.9]	4.64 [117.9]	1.97 [50.0]	5.06 [128.5]
-08	CP	M56	K	12.69 [322.3]	6.62 [168.1]	2.01 [51.1]	1.64 [41.7]	4.46 [113.3]	4.08 [103.6]	3.25 [82.6]	2.84 [71.4]	4.90 [124.5]	4.33 [110.0]	3.47 [88.1]	5.06 [128.5]

TODAS LAS DIM. MOSTRADAS EN PARENTESIS SON DIMENSIONES DE REFERENCIA. TODAS LAS DEMAS DIMENSIONES TIENEN TOLERANCIA DE DE ACUERDO A LA SIGUIENTE TABLA SOLAMENTE SOLO QUE SE ESPECIFIQUE OTRA MANERA

"C" DIM. = ±.055[±1.40]
 EXT. FLECHA = ±.034[±.86]
 LONG. CABLES = ±1.00[±25.4]
 EXTENDIDOS
 TORNILLOS = ±.050[±1.27]
 PASADOS
 DIM. ANGULAR = ± 2°



1/2-14 NSPM CON CARACOR



4X RANURAS DEL MONTAJE (.34X1.22)[8.6X 31.0]

CARACTERISTICAS DE GEOMETRIA Y SIMBOLOS □ PLANICIDAD — RECTITUD < ANGULARIDAD ⊥ PERPENDICULARIDAD (A ESCUADRA) // PARALELISMO ○ REDONDEZ (CIRCULARIDAD) ∅ CILINDRICIDAD △ PERFIL DE CUALQUIER SUPERFICIE ^ PERFIL DE CUALQUIER LINEA ↑ VARIACION ⊕ POSICION REAL ⊙ CONCENTRICIDAD = SIMETRIA ASME Y14.5M 1994	A MENOS QUE SE ESPECIFIQUE DE OTRA MANERA, LAS TOLERANCIAS DE LAS DIMS. SON LAS SIGUIENTES: PULG ±.1 ±.02 ±.005 ±.0005 mm ±0.5 ±0.13 ±0.013 ANG. ±.50 GRADOS ELIMINAR REBABAS Y ORILLAS FILOSAS DEL BORDE. PULG .003-.015 mm 0.1-0.4 FILETEAR ESQUINA: PULG .020 mm 0.5 MAQUINAR SUPERFICIES PULG 125 mm 3.2 DIMS METRICAS MOSTRADAS [PARENTESIS]	DIBUJADO POR: SAS 07-18-1990 APROBADO POR: MLC 07-27-1990 TERCER ANGULO DE PROYECCION FECHA EDS: 11-11-2011 REV. FORMATO: G	REGAL-BELOIT CORPORATION DESCRIPCION: OUTLINE TAMAÑO: C NUMERO DE DIBUJO: 179100 ESCALA: NONE HOJA: 1
	CONFIDENCIAL: ESTE DIBUJO Y SU INFORMACION SON PROPIEDAD DE USO EXCLUSIVO Y CONFIDENCIAL DE REGAL-BELOIT CORPORATION. Y NO DEBERAN SER REVELADOS, DUPLICADOS, DISTRIBUIDOS O USARSE DE OTRA MANERA SIN EL CONSENTIMIENTO ESCRITO DE REGAL-BELOIT CORPORATION. -TODOS LOS DERECHOS RESERVADOS.		
	CONFIDENCIAL: ESTE DIBUJO Y SU INFORMACION SON PROPIEDAD DE USO EXCLUSIVO Y CONFIDENCIAL DE REGAL-BELOIT CORPORATION. Y NO DEBERAN SER REVELADOS, DUPLICADOS, DISTRIBUIDOS O USARSE DE OTRA MANERA SIN EL CONSENTIMIENTO ESCRITO DE REGAL-BELOIT CORPORATION. -TODOS LOS DERECHOS RESERVADOS.		
	CONFIDENCIAL: ESTE DIBUJO Y SU INFORMACION SON PROPIEDAD DE USO EXCLUSIVO Y CONFIDENCIAL DE REGAL-BELOIT CORPORATION. Y NO DEBERAN SER REVELADOS, DUPLICADOS, DISTRIBUIDOS O USARSE DE OTRA MANERA SIN EL CONSENTIMIENTO ESCRITO DE REGAL-BELOIT CORPORATION. -TODOS LOS DERECHOS RESERVADOS.		

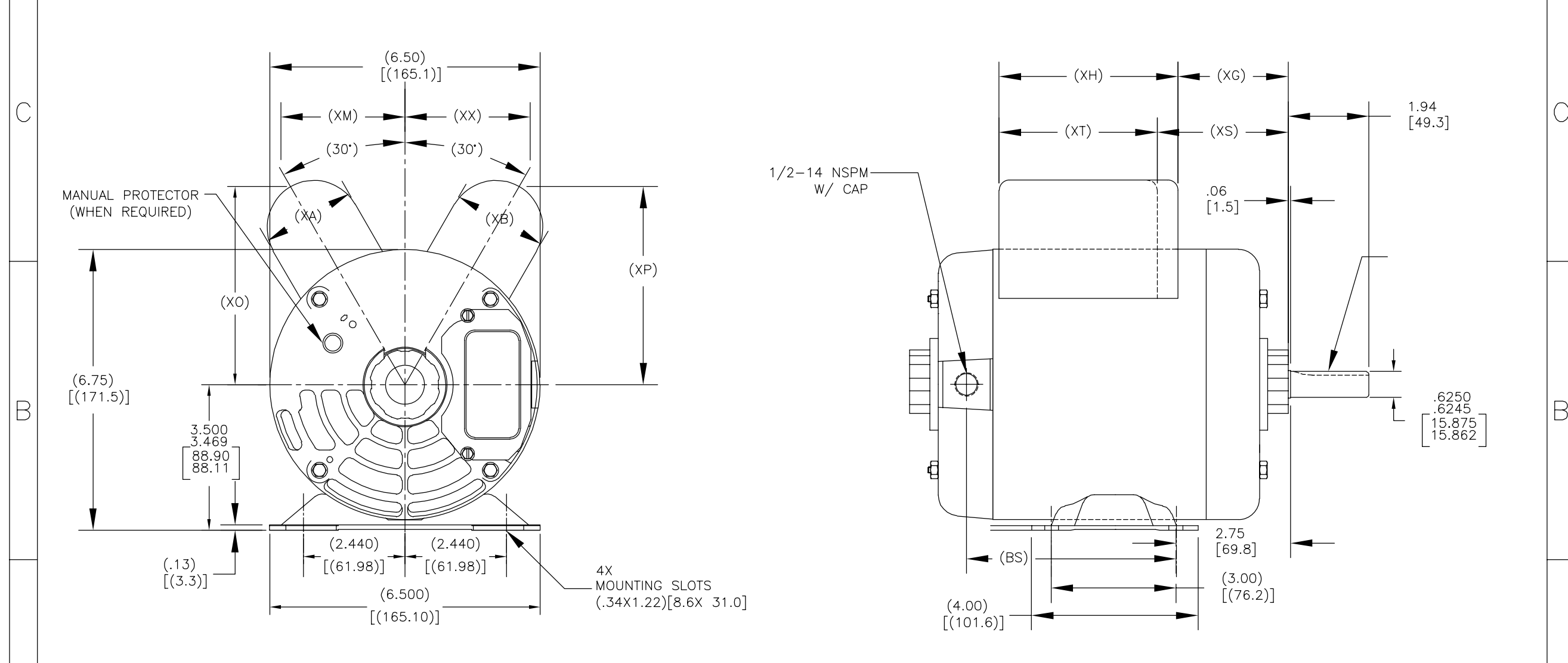
4

3

2

1

				3										2		1			
				版本										ECO	编制	日期	批准	日期	
				N										ECO-0025365	T.HUANG	04-17-2012	B.C.SHEN	04-17-2012	
GRP.				C	(BS)	(XA)	(XB)	(XG)	(XH)	(XM)	(XX)	(XO)	(XP)	(XS)	(XT)				
-01	CP	N56	K	13.19 [335.0]	7.12 [180.8]	2.01 [51.1]	2.27 [57.7]	3.72 [94.5]	5.30 [134.6]	3.11 [79.0]	3.33 [84.6]	4.65 [118.1]	4.91 [124.7]	3.97 [100.8]	5.06 [128.5]				
-02	CP	U56	K	12.94 [328.7]	6.87 [174.5]	2.01 [51.1]	2.27 [57.7]	3.47 [88.1]	5.30 [134.6]	3.11 [79.0]	3.33 [84.6]	4.65 [118.1]	4.91 [124.7]	3.72 [94.5]	5.06 [128.5]				
-03	CP	M56	K	12.69 [322.3]	6.62 [168.1]	2.01 [51.1]	2.01 [51.1]	4.47 [113.5]	4.06 [103.1]	3.10 [78.74]	3.10 [78.74]	4.64 [117.9]	4.64 [117.9]	3.47 [88.1]	5.06 [128.5]				
-04	CP	L56	K	12.19 [309.6]	6.11 [155.2]	2.01 [51.1]	1.64 [41.7]	3.95 [100.3]	4.08 [103.6]	3.12 [79.2]	4.34 [110.2]	4.66 [118.4]	4.34 [110.2]	2.96 [75.2]	5.06 [128.5]				
-05	CP	M56	K	12.69 [322.3]	6.62 [168.1]	2.01 [51.1]	2.27 [57.7]	3.22 [81.8]	5.30 [134.6]	3.11 [79.0]	3.33 [84.6]	4.65 [118.1]	4.91 [124.7]	3.47 [88.1]	5.06 [128.5]				
-06	CP	K56	K	11.44 [290.6]	5.36 [136.1]	2.01 [51.1]	2.01 [51.1]	3.22 [81.8]	4.06 [103.1]	3.10 [78.74]	3.10 [78.74]	4.64 [117.9]	4.64 [117.9]	2.22 [56.4]	5.06 [128.5]				
-07	CP	K56	K	11.44 [290.6]	5.36 [136.1]	2.27 [57.7]	2.01 [51.1]	3.22 [81.8]	4.06 [103.1]	3.10 [78.74]	3.10 [78.74]	4.64 [117.9]	4.64 [117.9]	1.97 [50.0]	5.06 [128.5]				
-08	CP	M56	K	12.69 [322.3]	6.62 [168.1]	2.01 [51.1]	1.64 [41.7]	4.46 [113.3]	4.08 [103.6]	3.25 [82.6]	2.84 [71.4]	4.90 [124.5]	4.33 [110.0]	3.47 [88.1]	5.06 [128.5]				



形位公差 □ 平面度 — 直线度 < 倾斜度 ⊥ 垂直度 // 平行度 ○ 圆度 ⊙ 圆柱度 △ 面轮廓度 线轮廓度 圆跳动 位置度 同轴度 = 对称度	除另有注明 尺寸公差如下: 英寸 X XX XXX XXXX ±.1 ±.02 ±.005 ±.0005 毫米 ±0.5 ±0.13 ±0.013 角度 ±.50 度 清理毛刺和尖棱 英寸 .003-.015 毫米 0.1-0.4 内圆角 英寸 .020 毫米 0.5 表面粗糙度 英制 125 米制 3.2 米制尺寸显示在 []	绘图: SAS 07-18-1990 批准: MLC 07-27-1990 第三角投影 图纸格式发布日期 11-11-2011 图纸格式版本 G 机密: 本图纸及相关信息所有权归REGAL-BELOIT CORPORATION. 未经REGAL-BELOIT CORPORATION书面授权, 不得泄露、复制、传播或作其他用途。—版权所有	名称: OUTLINE 图幅: C 图号: 179100 比例: NONE 页号: 1	
	ASME Y14.5M 1994	名称: REGAL-BELOIT CORPORATION REGAL-BELOIT CORPORATION		