

PRODUCT INFORMATION PACKET



Model No: B177L

Catalog No: B177L

General Purpose Motor, 2.0 HP, 1 Ph, 60 Hz, 115/208-230 V, 3600 RPM, M56 Frame, DP



Regal and Century are trademarks of Regal Rexnord Corporation or one of its affiliated companies.
©2024 Regal Rexnord Corporation, All Rights Reserved. MC017097E





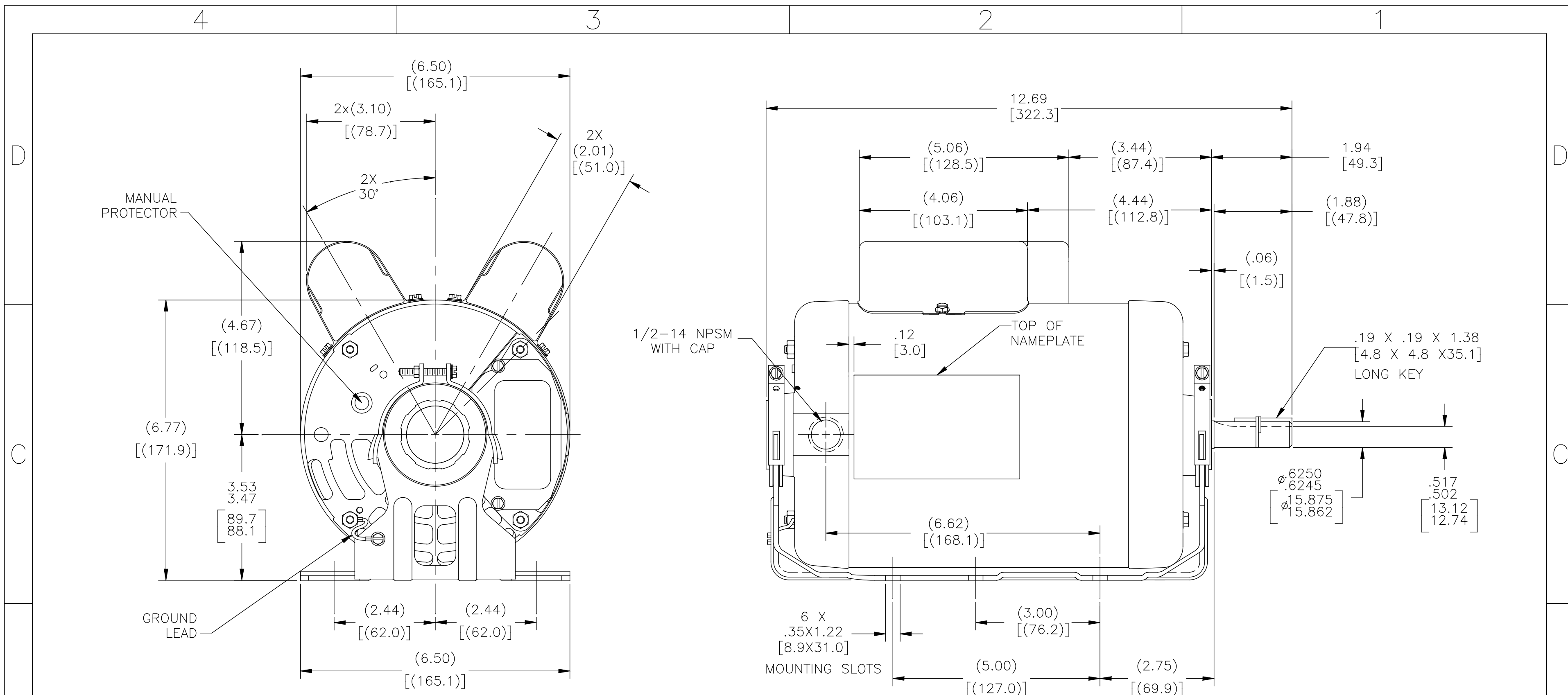
Nameplate Specifications

Phase	1	Output HP	2.0 Hp
Output KW	1.5 kW	Voltage	115/208-230 V
Speed	3450 rpm	Service Factor	1.15
Frame	M56	Enclosure	Drip Proof
Thermal Protection	Thermally Protected	Ambient Temperature	40 °C
Frequency	60 Hz	Current	17.2/9.2-8.6 A
Duty	Continuous	Insulation Class	B
UL	Recognized	CSA	Y
CE	N	Number of Speeds	1

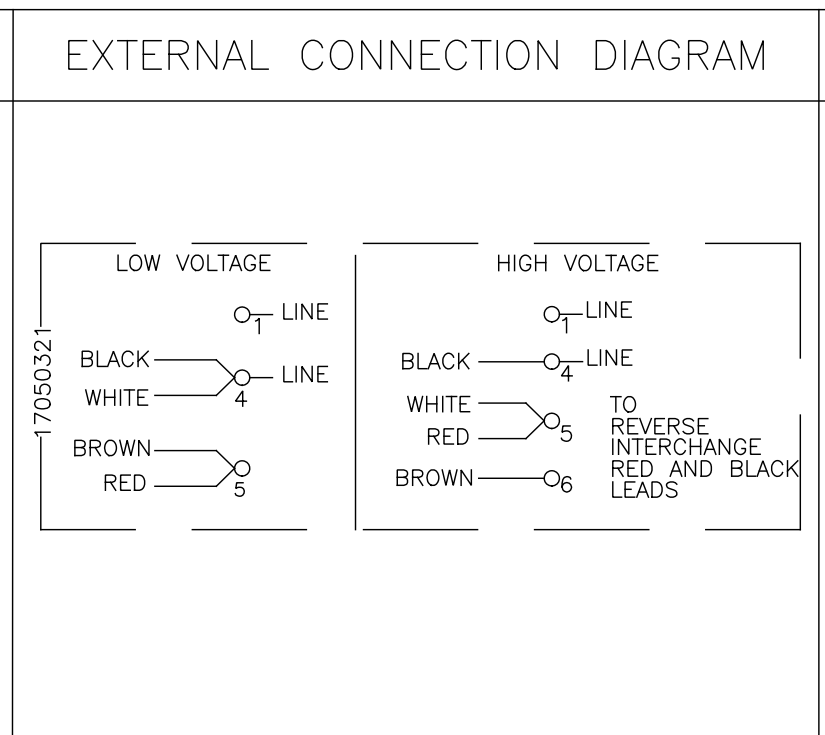
Technical Specifications

Electrical Type	Capacitor Start, Capacitor Run, Single Or Dual Voltage	Starting Method	Across The Line
Poles	2	Rotation	Reversible Counterclockwise
Mounting	Resilient Base	Drive End Bearing	Ball
Opp Drive End Bearing	Ball	Frame Material	Rolled Steel
Shaft Type	Keyed	Overall Length	12.69 in
Frame Length	6.75 in	Shaft Diameter	0.625 in
Shaft Extension	1.88 in		
Outline Drawing	B177L	Connection Drawing	17050321.PCX

This is an uncontrolled document once printed or downloaded and is subject to change without notice. Date Created:11/05/2024



NAMEPLATE DATA	
MODEL: K56AC96A01	CUST PN: B177LES
HP: 2.0	SF: 1.15
ROT: RCC	
RPM: 3450	
TYPE: CP	CODE: M
FORM: KTH	FRAME: L56C
VOLTS: 115/230	
AMPS: 17.8/8.9	
MAX AMPS: -	
SF AMPS: -	
PH: 1	HZ: 60
INS: B	AMB: 40
DUTY: CONT	
ENCLOSURE: ODP	
THERMALLY PROTECTED	



NOTES

1. ALL DIMENSIONS SHOWS IN PARENTHESIS ARE REFERENCE DIMENSION
2. END PLAY NOT TO EXCEED .010 [.25] MEASURED WITH NO THRUST
3. CONNECT LOW VOLT-CCW

PERFORMANCE CURVE	APPROVED SAMPLE		
07139301			
UL COMPONENT	CSA		
FILE#	CCN#	FILE#	GUIDE#
PENDING	PENDING	LR4642	4211-01
CUSTOMER	DISTRIBUTION		

DRAWING REVISION	REVISION BY	DATE	TOLERANCES UNLESS OTHERWISE SPECIFIED	DRAWN BY:	Regal Beloit America, Inc.
A	APPROVED BY	DATE	DEC. INCH mm ANGLE	F. NAVARRO	
ECO			.X ±0.1 [±2.5] ±0.5°	DATE:	DESCRIPTION MODEL-CFHP-56FR OUTLINE
ECO-0116119			.XX ±0.02 [±0.51]	01-10-2017	
ECO DESCRIPTION			.XXX ±0.005 [±0.127]	APPROVED BY:	MATERIAL PROCESS/FINISH
NEW			.XXXX ±0.0005 [±0.0127]		
COPYRIGHT REGAL BELOIT AMERICA, INC. ALL RIGHTS RESERVED. PROPRIETARY AND CONFIDENTIAL INFORMATION - THIS DOCUMENT IS THE PROPERTY OF REGAL BELOIT AMERICA, INC. ("OWNER") AND CONTAINS OWNER'S PROPRIETARY INFORMATION. ANY PERSON, CORPORATION OR OTHER FIRM RECEIVING IT IS DEEMED, BY RECEIVING IT, TO AGREE THAT IT, AND/OR ANY PART OF IT, SHALL NOT BE DISCLOSED TO ANY PERSON, CORPORATION OR OTHER ENTITY, DUPLICATED, AND/OR USED, EXCEPT AS EXPRESSLY APPROVED IN WRITING IN ADVANCE BY OWNER. THIS DOCUMENT SHALL BE RETURNED TO OWNER UPON REQUEST. IT MAY BE SUBJECT TO CERTAIN RESTRICTIONS UNDER APPLICABLE EXPORT CONTROL LAWS AND REGULATIONS.			REMOVE BURRS & BREAK SHARP EDGES .003/.015 [0.076/.381] CORNER FILLETS .02 [0.51] MACHINED SURFACES .125/3.2 mm SHOWN IN [BRACKETS]	DATE: REFERENCE THIRD ANGLE PROJECTION	SIZE DWG NO C B177LES
					SHEET 1