

PRODUCT INFORMATION PACKET



Model No: B2852
Catalog No: B2852
Pool Pump Motor, 3/4 HP, 1 Ph, 60 Hz, 230/115 V, 3600 RPM, P56Y Frame, DP



Regal and Century are trademarks of Regal Rexnord Corporation or one of its affiliated companies.
©2025 Regal Rexnord Corporation, All Rights Reserved. MC017097E





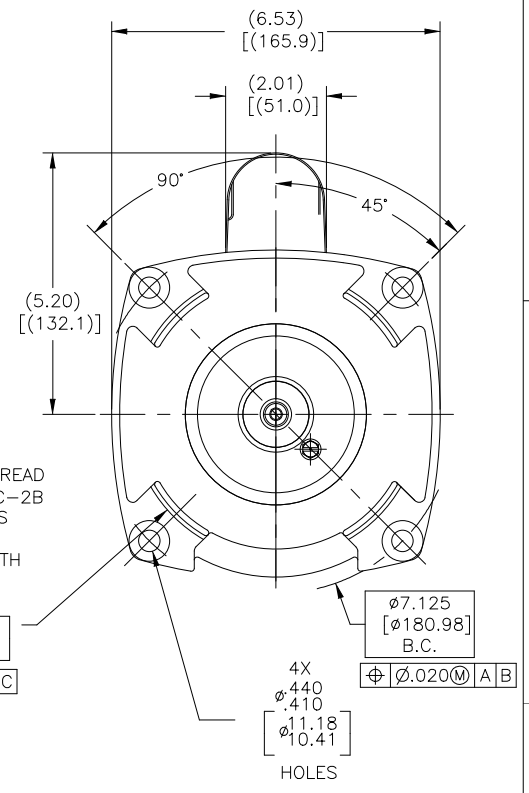
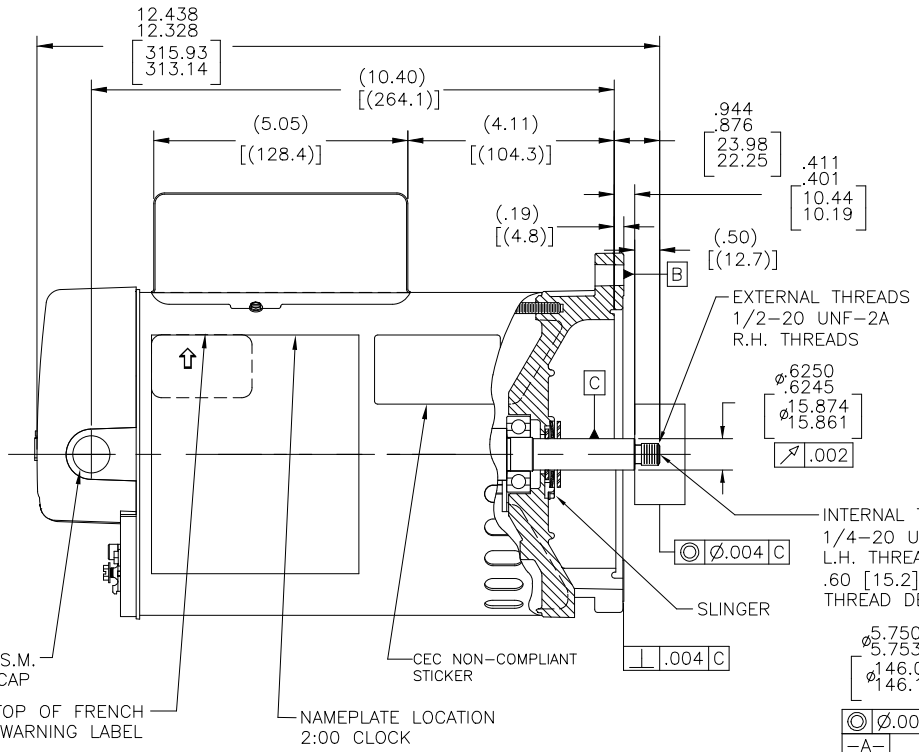
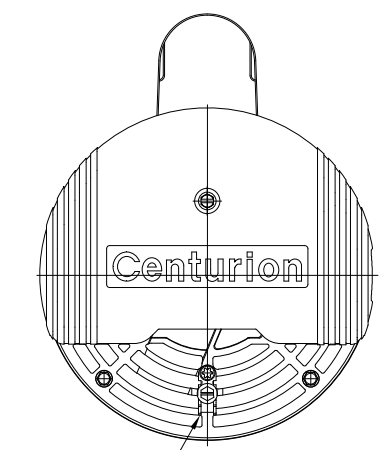
Nameplate Specifications

Phase	1	Output HP	3/4 Hp
Output KW	0.56 kW	Voltage	230/115 V
Speed	3450 rpm	Service Factor	1.25
Frame	P56Y	Enclosure	Drip Proof
Thermal Protection	Thermally Protected	Ambient Temperature	50 °C
Frequency	60 Hz	Current	SF 5.4/10.8 A
Duty	Continuous	Insulation Class	F
UL	Recognized	CSA	Y
Number of Speeds	1		

Technical Specifications

Electrical Type	Permanent Split Capacitor, Single Or Dual Voltage	Poles	2
Rotation	Counterclockwise Pump End	Mounting	Round
Motor Orientation	Horizontal	Drive End Bearing	Ball
Opp Drive End Bearing	Ball	Frame Material	Rolled Steel
Shaft Type	1/2 Thread	Overall Length	12.40 in
Frame Length	8.00 in	Shaft Diameter	0.625 in
Shaft Extension	0.91 in		
Outline Drawing	B2852-S01	Connection Drawing	17536729.PCX

This is an uncontrolled document once printed or downloaded and is subject to change without notice. Date Created:12/19/2025



NAMEPLATE DATA	EXTERNAL CONNECTION DIAGRAM	NOTES
MODEL: F56AA36A01 CUST PN: B2852 HP: 3/4 SF: 1.25 ROT: CCWPE RPM: 3450 TYPE: CX FORM: KJM VOLTS: 230/115 AMPS: 5.4/10.8 MAX AMPS: SF AMPS: PH: 1 INS: F DUTY: CONT ENCLOSURE: DP THERMALLY PROTECTED	<p>175367-29</p> <p>HIGH VOLTAGE SHOWN. ROTATE DIAL CCW TO 115 FOR LOW VOLTAGE. USE COPPER CONDUCTORS ONLY. INSTALL MOTOR WITH VENTS DOWN. ACCEPTABLE FOR FIELD WIRING</p>	<ol style="list-style-type: none"> FOR THREADED SHAFT EXTENSION ECCENTRICITY OF THREADED PORTION OF SHAFT IS HELD WITHIN .004[.10] TOTAL GAGE READING WITH THE INDICATOR ON O.D. OF BROUND RING GAGE AS SHOWN. THE GAGE BEING STATIONARY WITH RESPECT TO THE ROTOR. END PLAY NOT TO EXCEED .010[.25] MEASURED WITH NO THRUST. FINISH PAINT TO BE BLACK. REFERENCE MODEL: B2846. CONNECTED FOR 230V. DUAL VOLTAGE MOTOR. SEE CONNECTION DIAGRAM TO CHANGE VOLTS TO 115V. CTQ REQUIREMENT SEE EP000105-008 RoHS & REACH REQUIREMENT SEE EP000014.

PERFORMANCE CURVE	APPROVED SAMPLE		
16345117	B2846		
UL COMPONENT	CSA		
FILE#	CCN#	FILE#	GUIDE#
PENDING	PENDING	PENDING	PENDING
CUSTOMER	DISTRIBUTION		

CRITICAL TO QUALITY CHARACTERISTICS(CTQs) P PROCESS E ENGINEERING A APPLICATION R REGULATORY L LIFE	DRAWING REVISION: ECR-0247757 ADD DESCRIPTION: ADD FRENCH LABEL	REVISION BY: GELINE,ZHAO APPROVED BY: TRISTIA,ZHAO	DATE: 12-10-2025 DATE: 12-10-2025	TOLERANCES UNLESS OTHERWISE SPECIFIED DEC. INCH [±.3] ANGLE ±0.5° .XX ±0.02 [±0.5] .XXX ±0.005 [±0.13] .XXXX ±0.0005 [±0.013] REMOVE BURRS & BREAK SHARP EDGES .003/.015 [0.08.38] CORNER FILLETS .02 [5] MACHINED SURFACES 125/ mm ^{3/2} mm SHOWN IN [BRACKETS]	DRAWN BY: J.HESS DATE: 06-09-2009 APPROVED BY: D.FOX DATE: 06-09-2009 REFERENCE: N/A THIRD ANGLE PROJECTION	REGAL™ Regal Beloit America, Inc. DESCRIPTION: MODEL-PFHP-56FR OUTLINE MATERIAL: N/A PROCESS/FINISH: N/A SIZE: C DWG NO: B2852 SHEET: 1
	COPYRIGHT REGAL BELOIT AMERICA, INC. ALL RIGHTS RESERVED. PROPRIETARY AND CONFIDENTIAL INFORMATION - THIS DOCUMENT IS THE PROPERTY OF REGAL BELOIT AMERICA, INC. (OWNER) AND COMPANY OWNER'S PROPRIETARY INFORMATION. ANY REPRODUCTION OR OTHER FIRM RECEIVING IT IS DEMAND. BY RECEIVING IT, TO AGREE THAT IT AND/OR ANY PART OF IT, SHALL NOT BE DISCLOSED TO ANY PERSON, CORPORATION, ENTITY, DUPLICATED, AND/OR USED, EXCEPT AS EXPRESSLY APPROVED IN WRITING IN ADVANCE BY OWNER. THIS DOCUMENT SHALL BE RETURNED TO OWNER UPON REQUEST. IT MAY BE SUBJECT TO CERTAIN RESTRICTIONS UNDER APPLICABLE EXPORT CONTROL LAWS AND REGULATIONS.					
	3 of 3					
	4 3 2 1					