

# PRODUCT INFORMATION PACKET



Model No: B2855  
Catalog No: B2855  
Pool Pump Motor, 2 HP, 1 Ph, 60 Hz, 230 V, 3600 RPM, 56Y Frame, ODP



Regal and Century are trademarks of Regal Rexnord Corporation or one of its affiliated companies.  
©2022 Regal Rexnord Corporation, All Rights Reserved. MC017097E





**Nameplate Specifications**

Output HP	<b>2 Hp</b>	Output KW	<b>1.5 kW</b>
Frequency	<b>60 Hz</b>	Voltage	<b>230 V</b>
Current	<b>SF 10.0 A</b>	Speed	<b>3450 rpm</b>
Service Factor	<b>1.1</b>	Phase	<b>1</b>
Duty	<b>Continuous</b>	Insulation Class	<b>B</b>
Frame	<b>56Y</b>	Enclosure	<b>Open Drip Proof</b>
Thermal Protection	<b>Thermally Protected</b>	Ambient Temperature	<b>50 °C</b>
UL	<b>Recognized</b>	CSA	<b>Y</b>
CE	<b>N</b>	Number of Speeds	<b>1</b>

**Technical Specifications**

Electrical Type	<b>Permanent Split Capacitor, Single Or Dual Voltage</b>	Starting Method	<b>Across The Line</b>
Poles	<b>2</b>	Rotation	<b>Counterclockwise Pump End</b>
Mounting	<b>Round</b>	Motor Orientation	<b>Horizontal</b>
Drive End Bearing	<b>Ball</b>	Opp Drive End Bearing	<b>Ball</b>
Frame Material	<b>Rolled Steel</b>	Shaft Type	<b>1/2 Thread</b>
Overall Length	<b>13.46 in</b>	Frame Length	<b>9.00 in</b>
Shaft Diameter	<b>0.625 in</b>	Shaft Extension	<b>0.91 in</b>
Outline Drawing	<b>B2855</b>	Connection Drawing	<b>17050319</b>

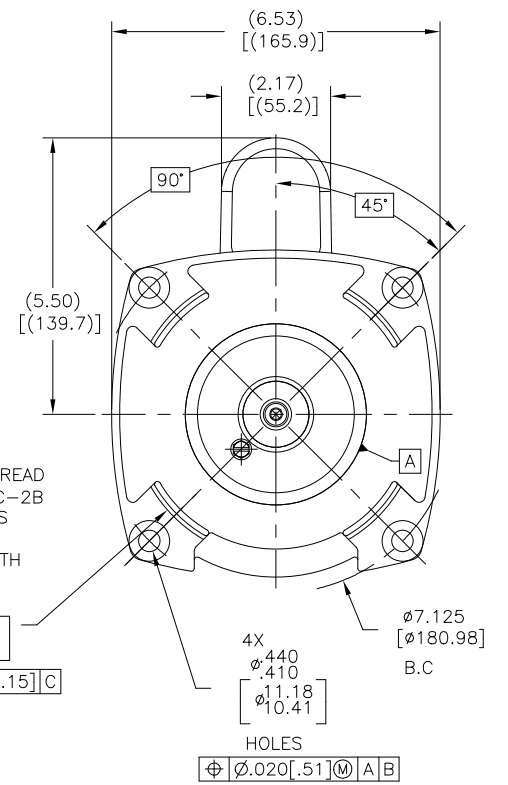
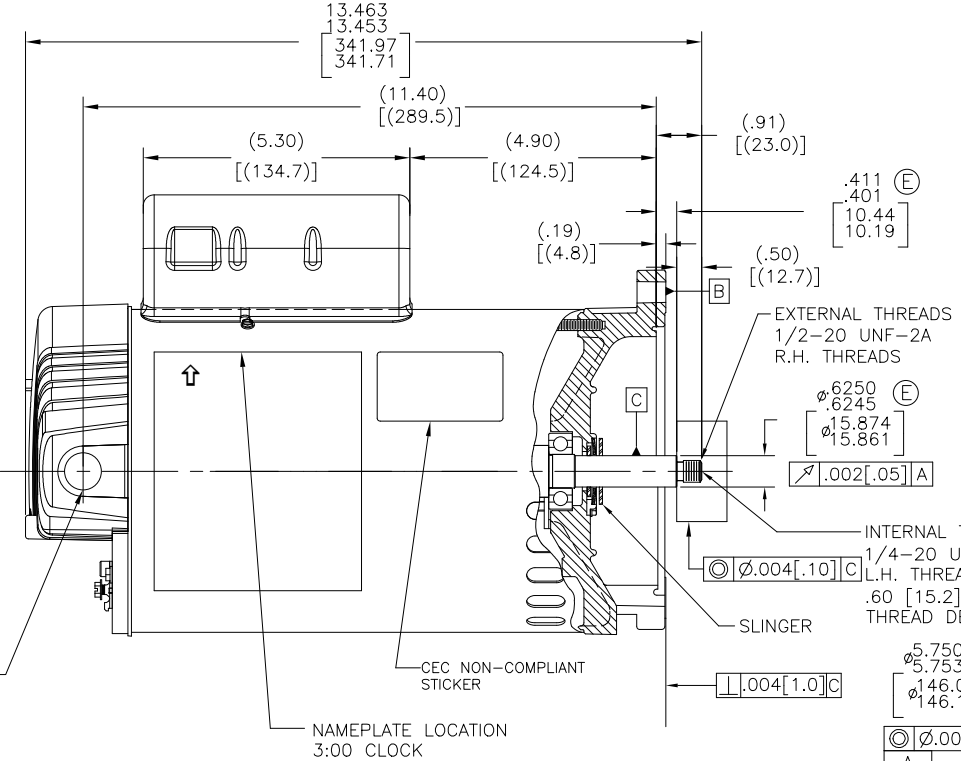
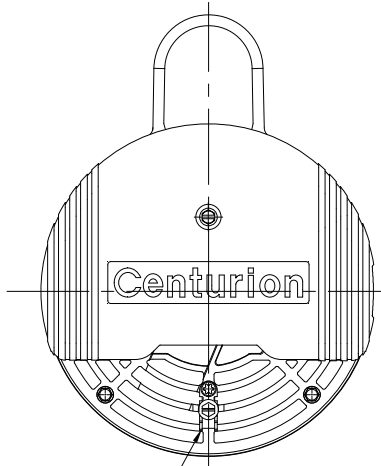
This is an uncontrolled document once printed or downloaded and is subject to change without notice. Date Created:11/29/2022

4

3

2

1



NAMEPLATE DATA	EXTERNAL CONNECTION DIAGRAM	NOTES
MODEL: F56AC14A01 CUST PN: B2855 HP: 2.0 SF: 1.10 ROT: CCWPE RPM: 3450 TYPE: CX CODE: NA FORM: - FRAME: 56 Y VOLTS: 230 AMPS: - MAX AMPS: - SF AMPS: 10.0 PH: 1 HZ: 60 INS: B AMB: 50 °C DUTY: CONT ENCLOSURE: ODP THERMALLY PROTECTED		<ol style="list-style-type: none"> <li>FOR THREADED SHAFT EXTENSION ECCENTRICITY OF THREADED PORTION OF SHAFT IS HELD WITHIN .004[.10] TOTAL GAGE READING WITH THE INDICATOR ON O.D. OF GROUND RING GAGE AS SHOWN. THE GAGE BEING STATIONARY WITH RESPECT TO THE ROTOR.</li> <li>END PLAY NOT TO EXCEED .010[.25] MEASURED WITH NO THRUST.</li> <li>FINISH PAINT TO BE BLACK.</li> <li>REFERENCE MODEL: B2855</li> <li>CTQ REQUIREMENT SEE EP000105-008</li> <li>RoHS &amp; REACH REQUIREMENT SEE EP000014.</li> </ol>

PERFORMANCE CURVE	APPROVED SAMPLE		
18014301	--		
UL COMPONENT	CSA		
FILE#	CCN#	FILE#	GUIDE#
PENDING	PENDING	PENDING	PENDING
CUSTOMER	DSITRIBUTION		

CRITICAL TO QUALITY CHARACTERISTICS (CTQs) (P) PROCESS (E) ENGINEERING (A) APPLICATION (R) REGULATORY (L) LIFE	DRAWING REVISION	REVISION BY	DATE	TOLERANCES UNLESS OTHERWISE SPECIFIED DEC. INCH mm ANGLE .X ±0.1 [±3] .XX ±0.02 [±0.5] .XXX ±0.005 [±0.13] .XXXX ±0.0005 [±0.013] REMOVE BURRS & BREAK SHARP EDGES .003/.015 [08.38] CORNER FILLETS .02 [5] MACHINED SURFACES 12/ mm 3/2 INCH mm 3/2 mm SHOWN IN [BRACKETS]	DRAWN BY:	Regal Beloit America, Inc. DESCRIPTION MODEL-PFHP-56FR OUTLINE MATERIAL PROCESS/FINISH SIZE DWG NO B2855 SHEET 1
	ECO	HAIXIA.ZHANG	04-09-2022		DATE:	
	ECR-0216843	TRISTIA.ZHAO	04-09-2022		APPROVED BY:	
	SEE ECR				KEFU.SHI	
COPYRIGHT REGAL BELOIT AMERICA, INC. ALL RIGHTS RESERVED. PROPRIETARY AND CONFIDENTIAL INFORMATION - THIS DOCUMENT IS THE PROPERTY OF REGAL BELOIT AMERICA, INC. (OWNER) AND COMPANY OWNER'S PROPRIETARY INFORMATION. ANY REPRODUCTION OR OTHER ENTITY, DUPLICATION, AND/OR USE, EXCEPT BY RECEIVING IT TO AGREE THAT IT AND/OR ANY PART OF IT, SHALL NOT BE DISCLOSED TO ANY PERSON, CORPORATION OR OTHER ENTITY, DUPLICATED, AND/OR USED, EXCEPT AS EXPRESSLY APPROVED IN WRITING IN ADVANCE BY OWNER. THIS DOCUMENT SHALL BE RETURNED TO OWNER UPON REQUEST. IT MAY BE SUBJECT TO CERTAIN RESTRICTIONS UNDER APPLICABLE EXPORT CONTROL LAWS AND REGULATIONS.				DATE:		
				REFERENCE		
				THIRD ANGLE PROJECTION		

4

3

2

1