

PRODUCT INFORMATION PACKET



Model No: B2981
Catalog No: B2981
Pool Pump Motor, .75/.10 HP, 1 Ph, 60 Hz, 115 V, 3600 RPM, R56Y Frame, DP



Regal and Century are trademarks of Regal Rexnord Corporation or one of its affiliated companies.
©2022 Regal Rexnord Corporation, All Rights Reserved. MC017097E





Nameplate Specifications

Output HP	.75/.10 Hp	Output KW	0.56 kW
Frequency	60 Hz	Voltage	115 V
Current	SF 12.2/2.0 A	Speed	3450/1725 rpm
Service Factor	1.67	Phase	1
Duty	Continuous	Insulation Class	F
Frame	R56Y	Enclosure	Drip Proof
Thermal Protection	Thermally Protected	Ambient Temperature	50 °C
UL	Recognized	CSA	Y

Technical Specifications

Electrical Type	Psc Low Speed, Cap Start/Cap Run High Speed	Poles	2/4
Rotation	Counterclockwise Pump End	Mounting	Square Flange
Motor Orientation	Horizontal	Drive End Bearing	BALL
Opp Drive End Bearing	BALL	Frame Material	Rolled Steel
Shaft Type	1/2 THREADS	Overall Length	13.10 in
Frame Length	8.75 in	Shaft Diameter	0.625 in
Shaft Extension	0.91 in		
Connection Drawing	D0000026-001	Outline Drawing	B2981-S01

This is an uncontrolled document once printed or downloaded and is subject to change without notice. Date Created:11/28/2022

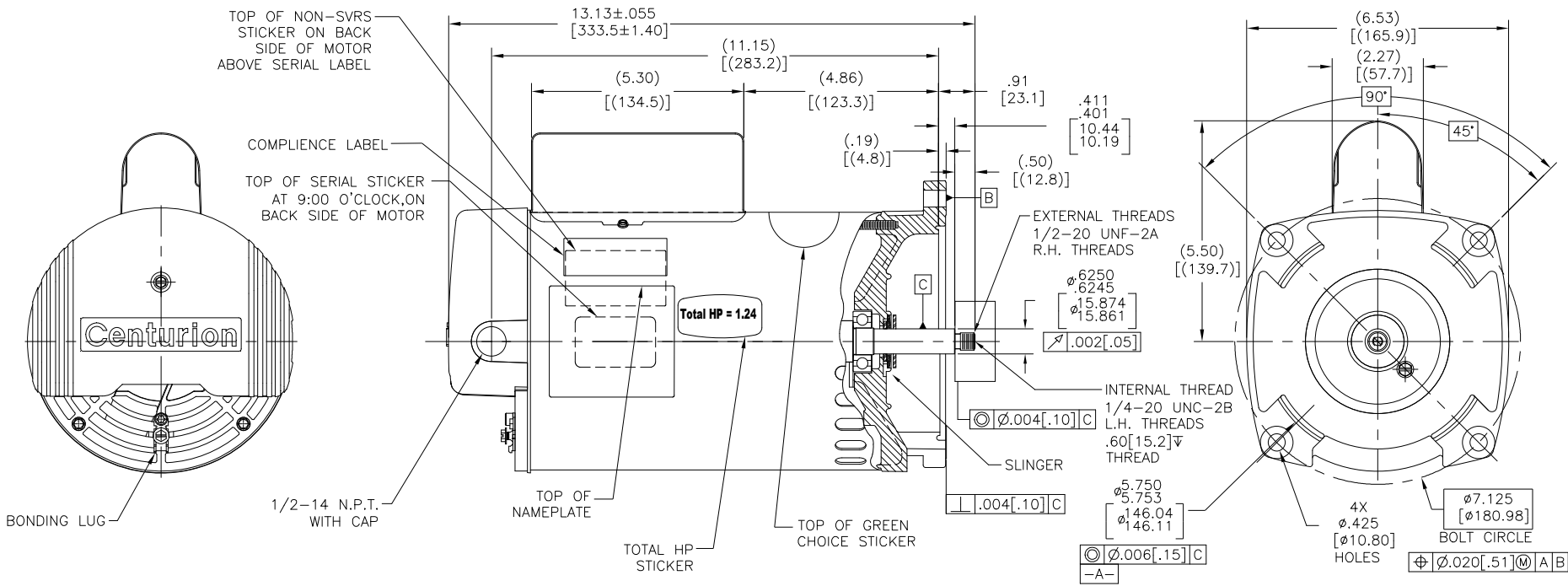
4

3

2

1

REV	ECO	REV BY	DATE	APPD	DATE
M	ECR-0211353	SHESHI	09/30/2021	D.SURYAWANSHI	09/30/2021



NAMEPLATE DATA	EXTERNAL CONNECTION DIAGRAM	NOTES
MODEL: 196441 CUST PN: B2981 HP: .75/.10 SF: 1.65 ROT: CCWPE RPM: 3450/1725 TYPE: CXCP CODE: K FORM: FRAME: R56Y VOLTS: 115 AMPS: MAX AMPS: SF AMPS: 12.2/2.0 PH: 1 HZ: 60 INS: F AMB: 50°C DUTY: CONT ENCLOSURE: ODP THERMALLY PROTECTED	<p>USE COPPER CONDUCTORS ONLY. INSTALL MOTOR WITH VENTS DOWN. ACCEPTABLE FOR FIELD WIRING</p>	1. FOR THREADED SHAFT EXT. ECCENTRICITY OF THREADED PORTION OF SHAFT IS HELD WITHIN .004[.10] TOTAL GAGE READING WITH THE INDICATOR ON O.D. OF GROUND RING GAGE AS SHOWN. THE GAGE BEING STATIONARY WITH RESPECT TO THE ROTOR. 2. END PLAY NOT TO EXCEED .010[.25] MEASURED WITH NO THRUST. 3. ALL DIMENSIONS SHOWN IN PARENTHESIS ARE REFERENCE DIMENSIONS. 4. FINISH PAINT TO BE BLACK. 5. 1.24 SF HP

PERFORMANCE CURVE	APPROVED SAMPLE	GEOMETRIC CHARACTERISTICS & SYMBOLS ▽ FLATNESS — STRAIGHTNESS ∠ ANGULARITY ⊥ PERPENDICULARITY (SQUARENESS) // PARALLELISM ○ ROUNDNESS (CIRCULARITY) ⌀ CYLINDRICITY △ PROFILE OF ANY SURFACE ~ PROFILE OF ANY LINE ↗ RUNOUT ⊕ TRUE POSITION ⊙ CONCENTRICITY = SYMMETRY	DR BY: L. GRADO 07-19-2008 APPD: M.OVERHOLSER 07-19-2008 THIRDS ANGLE PROJECTION	REGAL REGAL-BELOIT CORPORATION MODEL-PFHP-56FR OUTLINE DWG NO B2981
016757	0701613		UNLESS OTHERWISE SPECIFIED DIM. TOLERANCES ARE AS FOLLOWS: INCH ±.1 ±.02 ±.005 ±.0005 mm ±0.5 ±0.13 ±0.013 ANG. ±.50 DEG REMOVE BURRS & BREAK SHARP EDGES: INCH .003-.015 mm 0.1-.4 CORNER FILLETS TO: INCH .020 mm 0.5 MACHINE SURFACES: INCH 125 mm 3.2 METRIC DIMS. SHOWN IN [BRACKETS]	EDS DATE 11-11-2011 FORMAT REV H CONFIDENTIAL: THIS DRAWING AND ITS INFORMATION ARE THE EXCLUSIVE AND CONFIDENTIAL PROPERTY OF REGAL-BELOIT CORPORATION AND ARE NOT TO BE DISCLOSED, DUPLICATED, DISTRIBUTED OR OTHERWISE USED WITHOUT THE WRITTEN CONSENT OF REGAL-BELOIT CORPORATION. -ALL RIGHTS RESERVED.

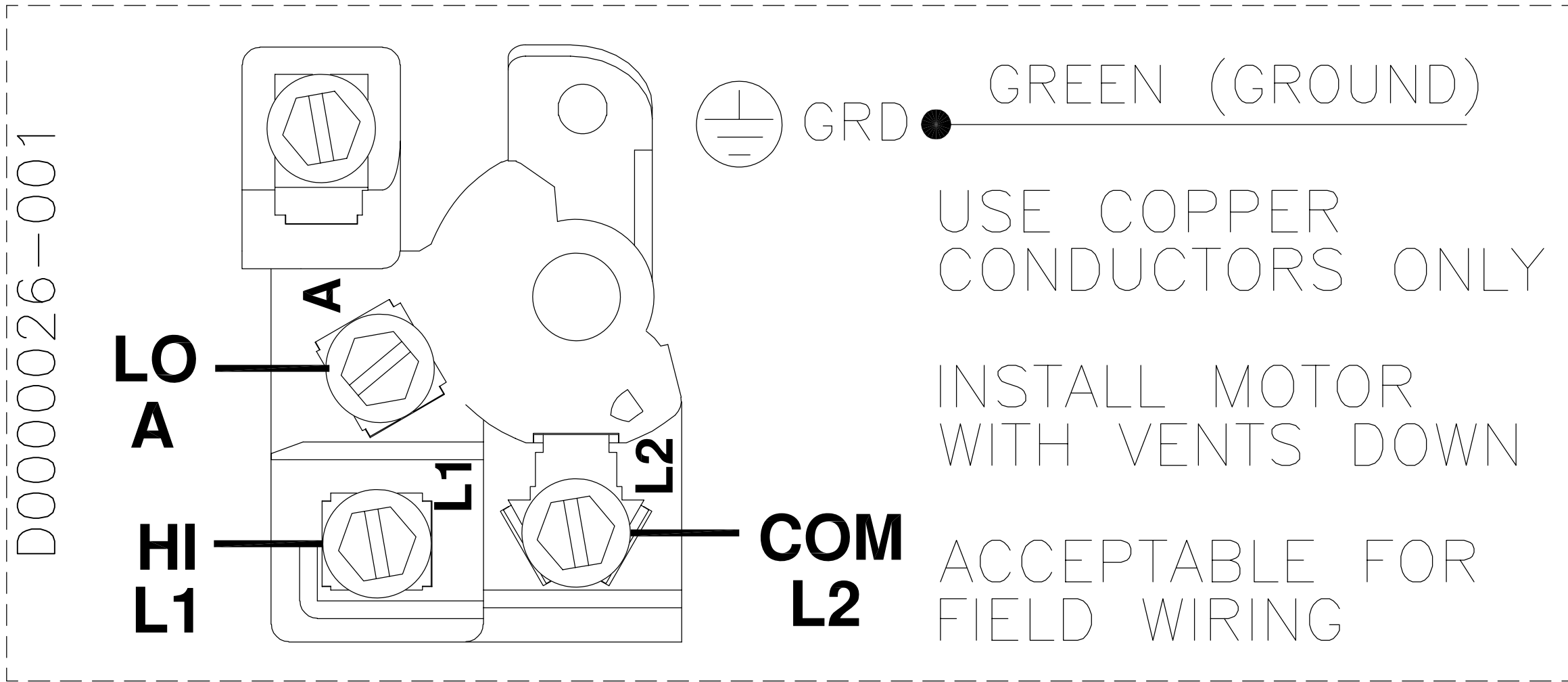
4

3

2

1

REV	ECO	REV BY	DATE	APPD	DATE
D	0013035	VMS	03-18-2010	JOSUE	03-18-2010



(TWO SPEED)

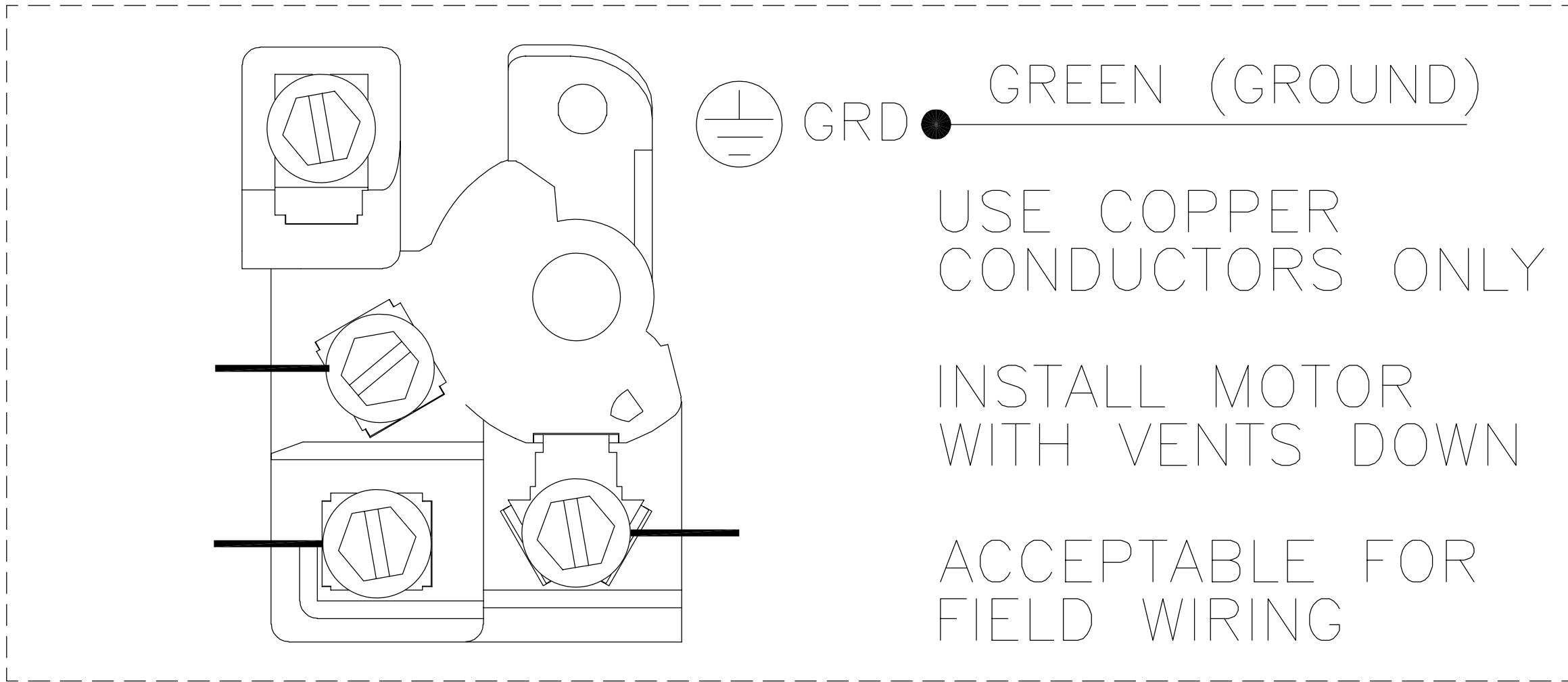
GEOMETRIC CHARACTERISTICS & SYMBOLS
 ▭ FLATNESS
 — STRAIGHTNESS
 < ANGULARITY
 ⊥ PERPENDICULARITY (SQUARENESS)
 // PARALLELISM
 ○ ROUNDNESS (CIRCULARITY)
 ∅ CYLINDRICITY
 △ PROFILE OF ANY SURFACE
 ∩ PROFILE OF ANY LINE
 ↑ RUNOUT
 ⊕ TRUE POSITION
 ◎ CONCENTRICITY
 = SYMMETRY

UNLESS OTHERWISE SPECIFIED
 DIM. TOLERANCES ARE AS FOLLOWS:
 INCH $\pm .1$ $\pm .02$ $\pm .005$ $\pm .0005$
 mm ± 0.5 ± 0.13 ± 0.013
 ANG. $\pm .50$ DEG
 REMOVE BURRS & BREAK SHARP EDGES:
 INCH .003-.015 mm 0.1-0.4
 CORNER FILLETS TO:
 INCH .020 mm 0.5
 MACHINE SURFACES:
 INCH 125 mm 3.2
 METRIC DIMS. SHOWN IN [BRACKETS]

DR BY: Josue 07-15-2008
 APPD: M. OVERHOLSER 07-15-2008
 THIRD ANGLE PROJECTION
 EDS DATE 02-22-2008
 FORMAT REV F
 CONFIDENTIAL: THIS DRAWING AND ITS INFORMATION ARE THE EXCLUSIVE AND CONFIDENTIAL PROPERTY OF A.O. SMITH CORP. AND ARE NOT TO BE DISCLOSED, DUPLICATED, DISTRIBUTED OR OTHERWISE USED WITHOUT THE WRITTEN CONSENT OF A.O. SMITH CORP.
 -ALL RIGHTS RESERVED. ASME Y14.5M 1994

		ELECTRICAL PRODUCTS COMPANY <small>A DIVISION OF A. O. SMITH CORPORATION</small>	
DESCRIPTION			
CONN DIAGRAM - NAMEPLATE			
SIZE	A	DWG NO	D0000026-001
SCALE	NONE	SHEET	1

REVISION:	ECO	REVISADO POR:	FECHA:	APROBADO POR:	FECHA:
D	0013035	VMS	03-18-2010	JOSUE	03-18-2010



(DOS VELOCIDADES)

CARACTERISTICAS DE GEOMETRIA Y SIMBOLOS

- ▭ PLANICIDAD
- RECTITUD
- ∠ ANGULARIDAD
- ⊥ PERPENDICULARIDAD (A ESCUADRA)
- // PARALELISMO
- REDONDEZ (CIRCULARIDAD)
- ⊘ CILINDRICIDAD
- △ PERFIL DE CUALQUIER SUPERFICIE
- ⌒ PERFIL DE CUALQUIER LINEA
- ↑ VARIACION
- ⊕ POSICION REAL
- ◎ CONCENTRICIDAD
- ≡ SIMETRIA

A MENOS QUE SE ESPECIFIQUE DE OTRA MANERA, LAS TOLERANCIAS DE LAS DIMS; SON LAS SIGUIENTES:

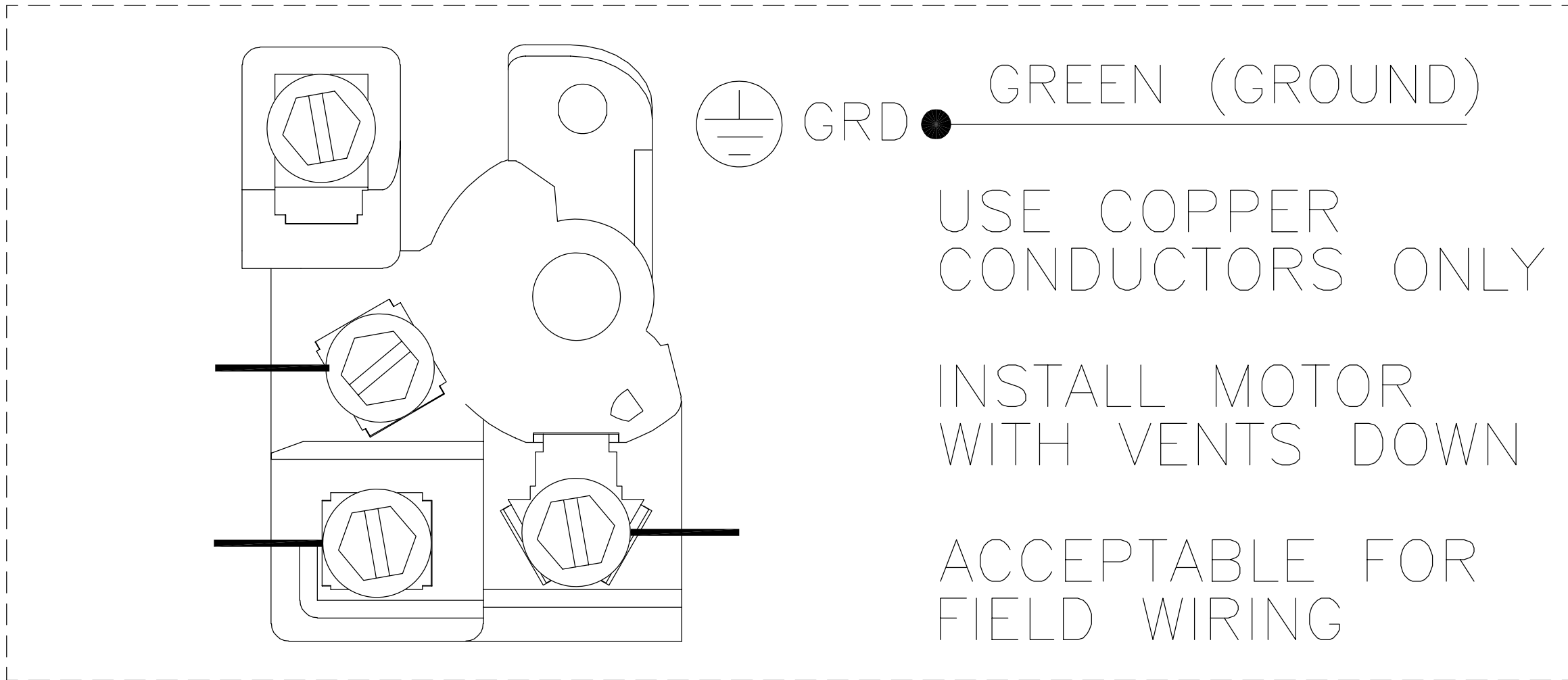
	X	XX	XXX	XXXX
PULG	±.1	±.02	±.005	±.0005
mm	±0.5	±0.13	±0.013	

ANG. ±.50 GRADOS
 ELIMINAR REBABAS Y ORILLAS FILOSAS DEL BORDE.
 PULG .003-.015 mm 0.1-0.4
 FILETEAR ESQUINA: PULG .020 mm 0.5
 MAQUINAR SUPERFICIES
 PULG 125 mm 3.2
 DIMS METRICAS MOSTRADAS [PARENTESIS]

DIBUJADO POR: Josue	07-15-2008
APROBADO POR: M. OVERHOLSER	07-15-2008
TERCER ANGULO DE PROYECCION	
FECHA EDS: 02-22-2008	REV. FORMATO: F
CONFIDENCIAL: ESTE DIBUJO Y SU INFORMACION SON PROPIEDAD DE USO EXCLUSIVO Y CONFIDENCIAL DE A.O.SMITH CORP. Y NO DEBERAN SER REVELADOS, DUPLICADOS, DISTRIBUIDOS O USARSE DE OTRA MANERA SIN EL CONSENTIMIENTO ESCRITO DE A.O. SMITH CORP. -TODOS LOS DERECHOS RESERVADOS.ASME Y14.5M 1994	

		ELECTRICAL PRODUCTS COMPANY <small>A DIVISION OF A. O. SMITH CORPORATION</small>	
DESCRIPCION: CONN DIAGRAM - NAMEPLATE			
TAMAÑO: A	NUMERO DE DIBUJO: D0000026-001		
ESCALA:NONE			HOJA: 1

版本	ECO	编制	日期	批准	日期
D	0013035	VMS	03-18-2010	JOSUE	03-18-2010



- 形位公差
- 平面度
- 直线度
- ∠ 倾斜度
- ⊥ 垂直度
- // 平行度
- 圆度
- ⊘ 圆柱度
- △ 面轮廓度
- ∩ 线轮廓度
- ↗ 圆跳动
- ⊕ 位置度
- ◎ 同轴度
- ≡ 对称度

除另有注明
尺寸公差如下:

	X	XX	XXX	XXXX
英寸	±.1	±.02	±.005	±.0005
毫米	±0.5	±0.13	±0.013	
角度	±.50 度			
清理毛刺和尖棱				
英寸	.003-.015		毫米 0.1-0.4	
内圆角				
英寸	.020		毫米 0.5	
表面粗糙度				
英制	125		米制 3.2	

米制尺寸显示在 []

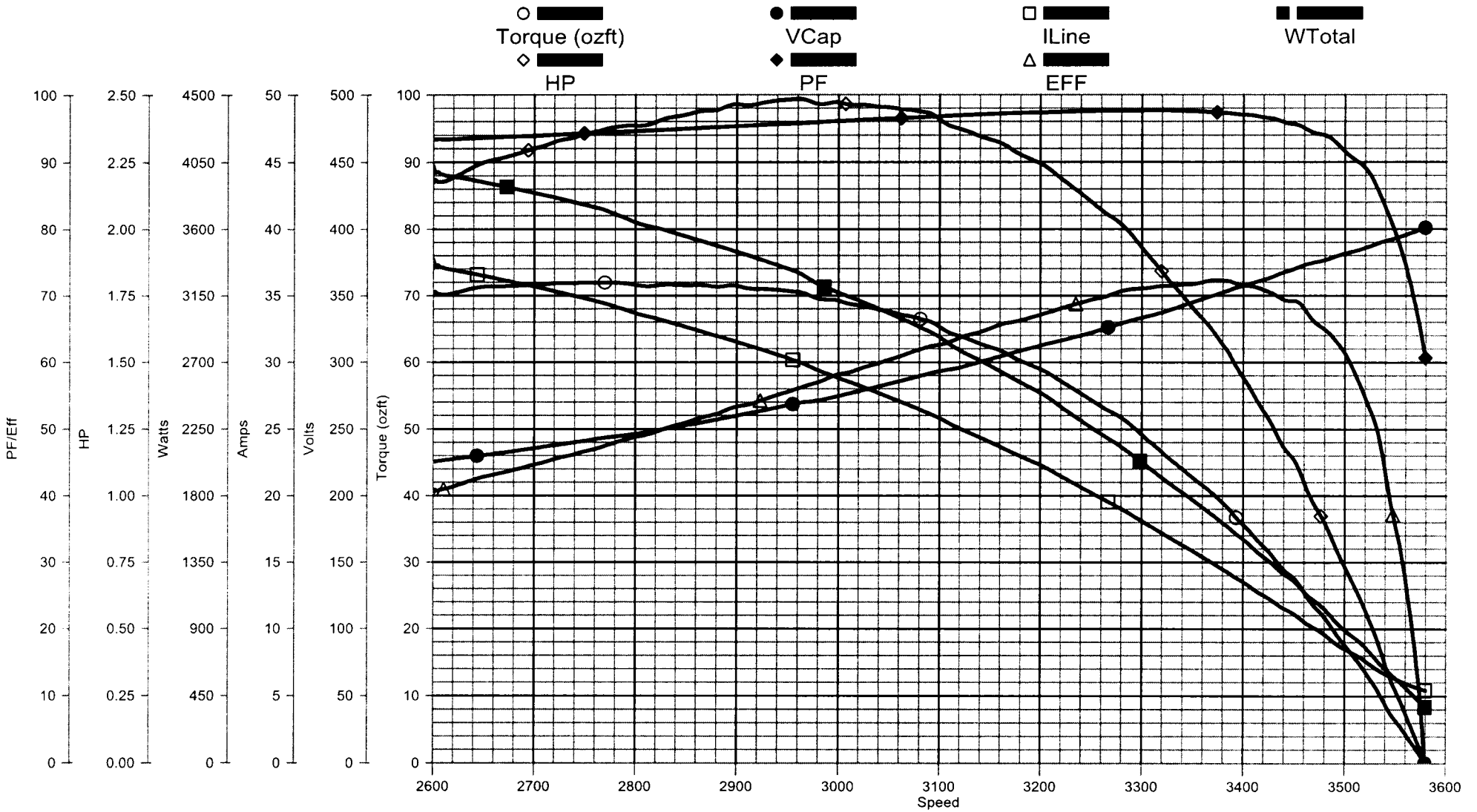
绘图:	Josue	07-15-2008
批准:	M. OVERHOLSER	07-15-2008
第三角投影		图纸格式发布日期 02-22-2008 图纸格式版本 F
机密: 本图纸及相关信息所有权归A. O. SMITH公司所有。 未经A. O. SMITH公司书面授权, 不得泄露、复制、传播或作 其他用途。—版权所有		
ASME Y14.5M 1994		

		ELECTRICAL PRODUCTS COMPANY <small>A DIVISION OF A. O. SMITH CORPORATION</small>	
名称 CONN DIAGRAM - NAMEPLATE			
图幅	A	图号	D0000026-001
比例	NONE	页号	1

AO Smith

Performance Test Project: 0801560 (High Speed)

Tuesday, August 19, 2008 02:25 PM

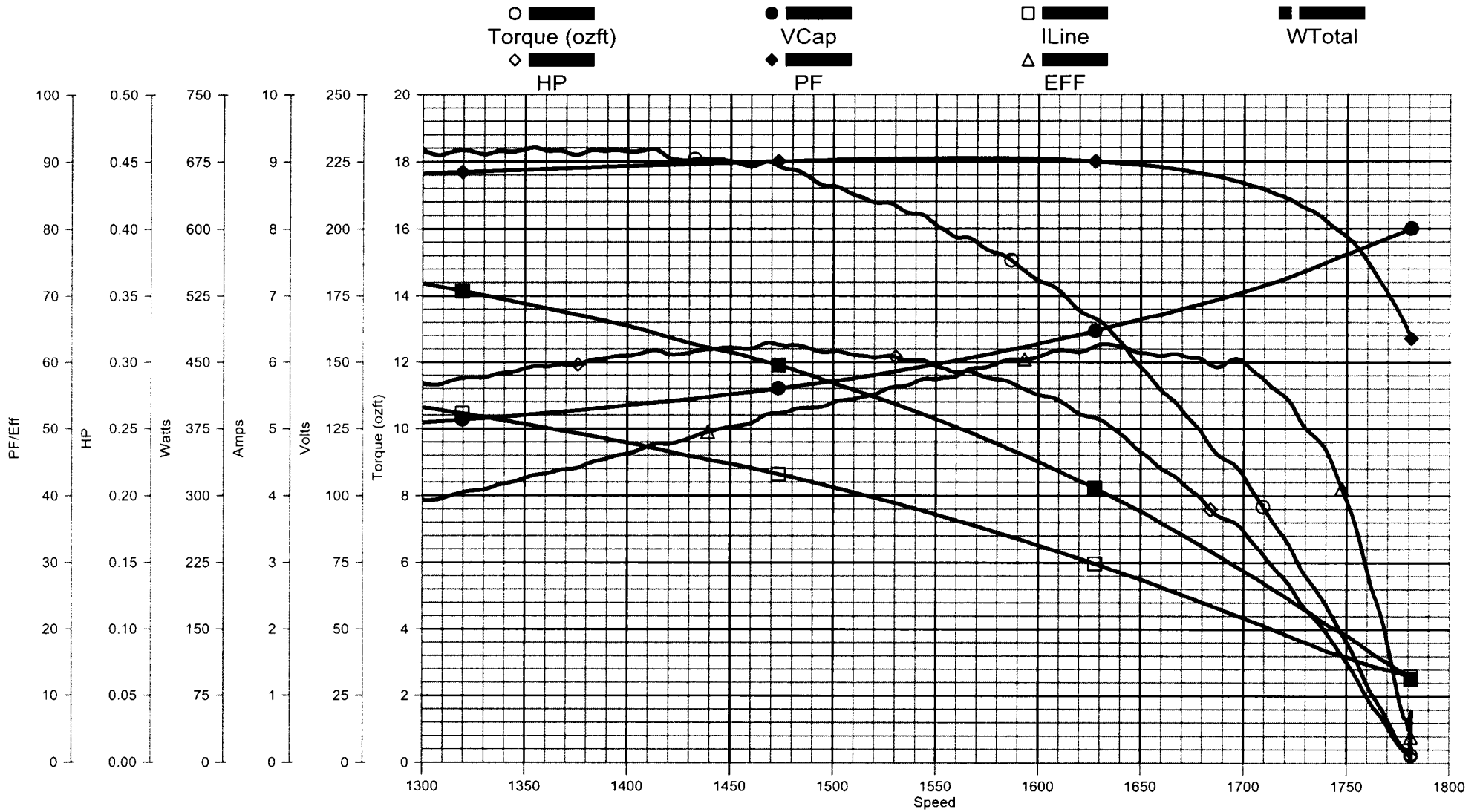


<p>TRACKING #: 10068065 SBU: Pump ENGINEER: DWAYNE FOX TECHNICIAN: TODD BENCH: 2 TORQUE CELL: 500-1 inlb NP RPM: 3450 # SPEEDS: 2 MOTOR #: 1 TYPE: CXCP</p>	<p>CUSTOMER: DISTRIBUTION MODEL: 0801560A FRAME: 56 PHASES: 1 HP: 0.75 VOLTS: 115.0 HERTZ: 60 START CAP: 0.00 RUN CAP: 25.00 COMMENT3:</p>	<p>DESCRIPTION: OFFSET BDT: 71.63 MT: 71.96 SF: 49.50 LRT: 0.00 LRA: 0.00 PUT: 0.00 COMMENT1: COMMENT2: COMMENT4:</p>
--	---	--

AO Smith

Performance Test Project: 0801560 (Low Speed)

Tuesday, August 19, 2008 03:13 PM



TRACKING #: 10068065
 SBU: Pump
 ENGINEER: DWAYNE FOX
 TECHNICIAN: TODD
 BENCH: 2
 TORQUE CELL: 500-1 inlb
 NP RPM: 1725
 # SPEEDS: 2
 MOTOR #: 1
 TYPE: CXCP

CUSTOMER: DISTRIBUTION
 MODEL: 0801560A
 FRAME: 56
 PHASES: 1
 HP: 0.10
 VOLTS: 115.0
 HERTZ: 60
 START CAP: 124.00
 RUN CAP: 20.00
 COMMENT3:

DESCRIPTION: OFFSET
 BDT: 18.37
 MT: 18.41
 SF: 12.40
 LRT: 0.00
 LRA: 0.00
 PUT: 0.00
 COMMENT1:
 COMMENT2:
 COMMENT4: